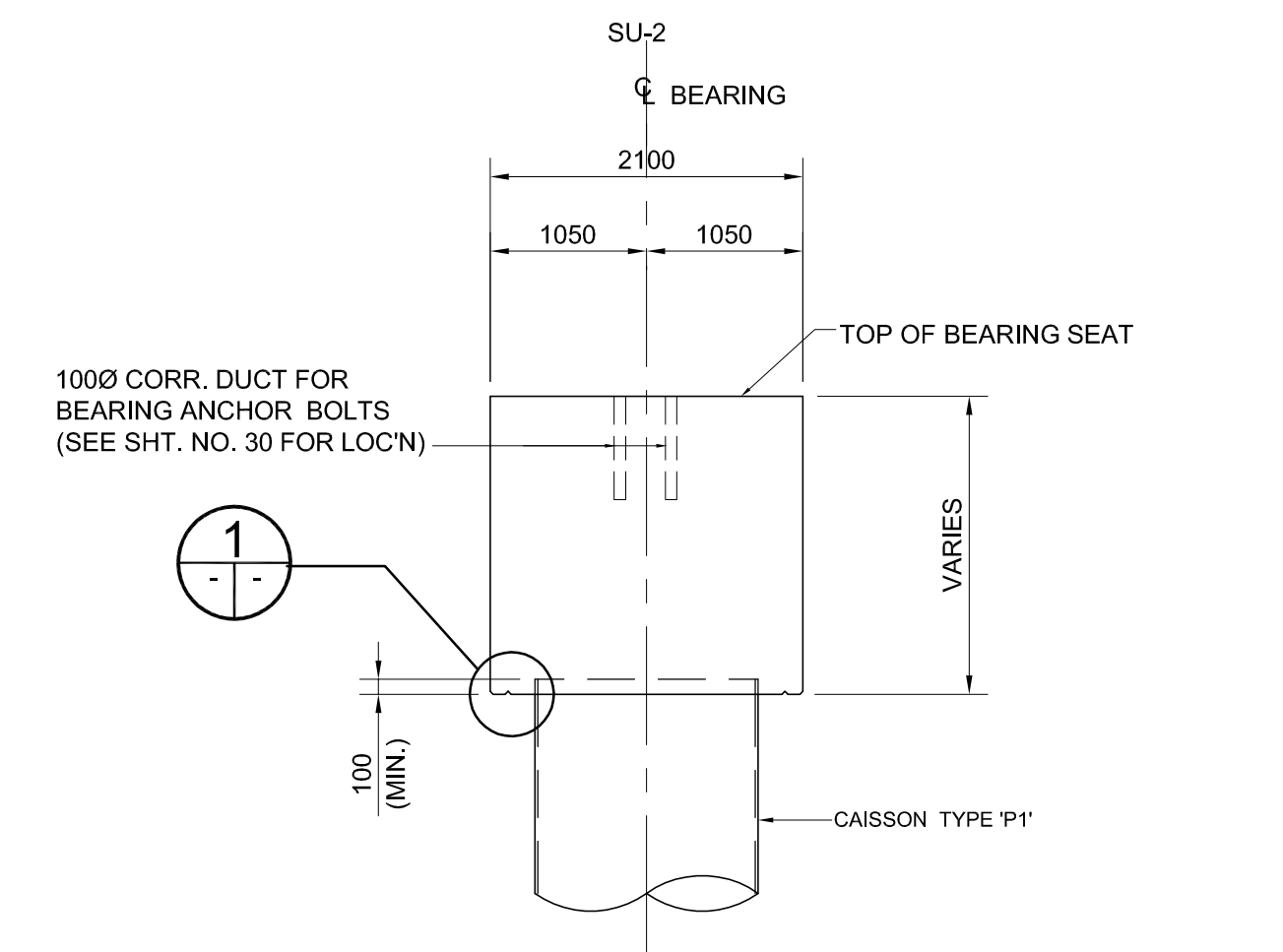
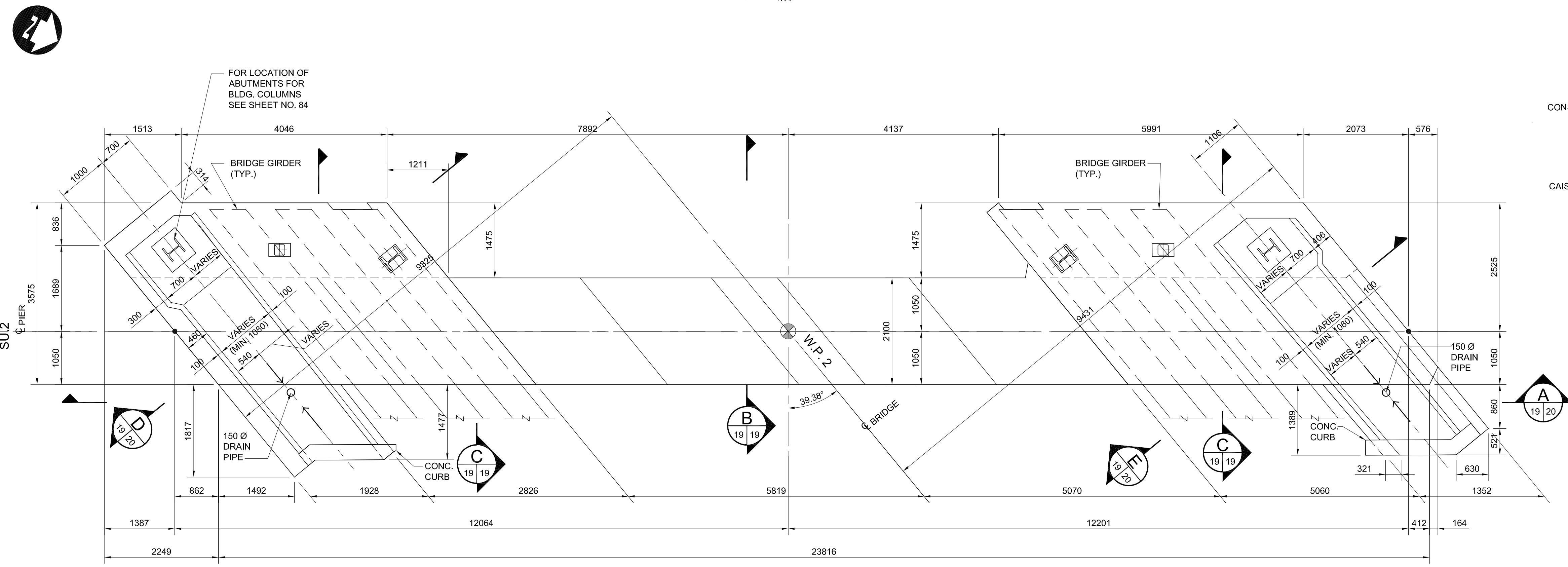


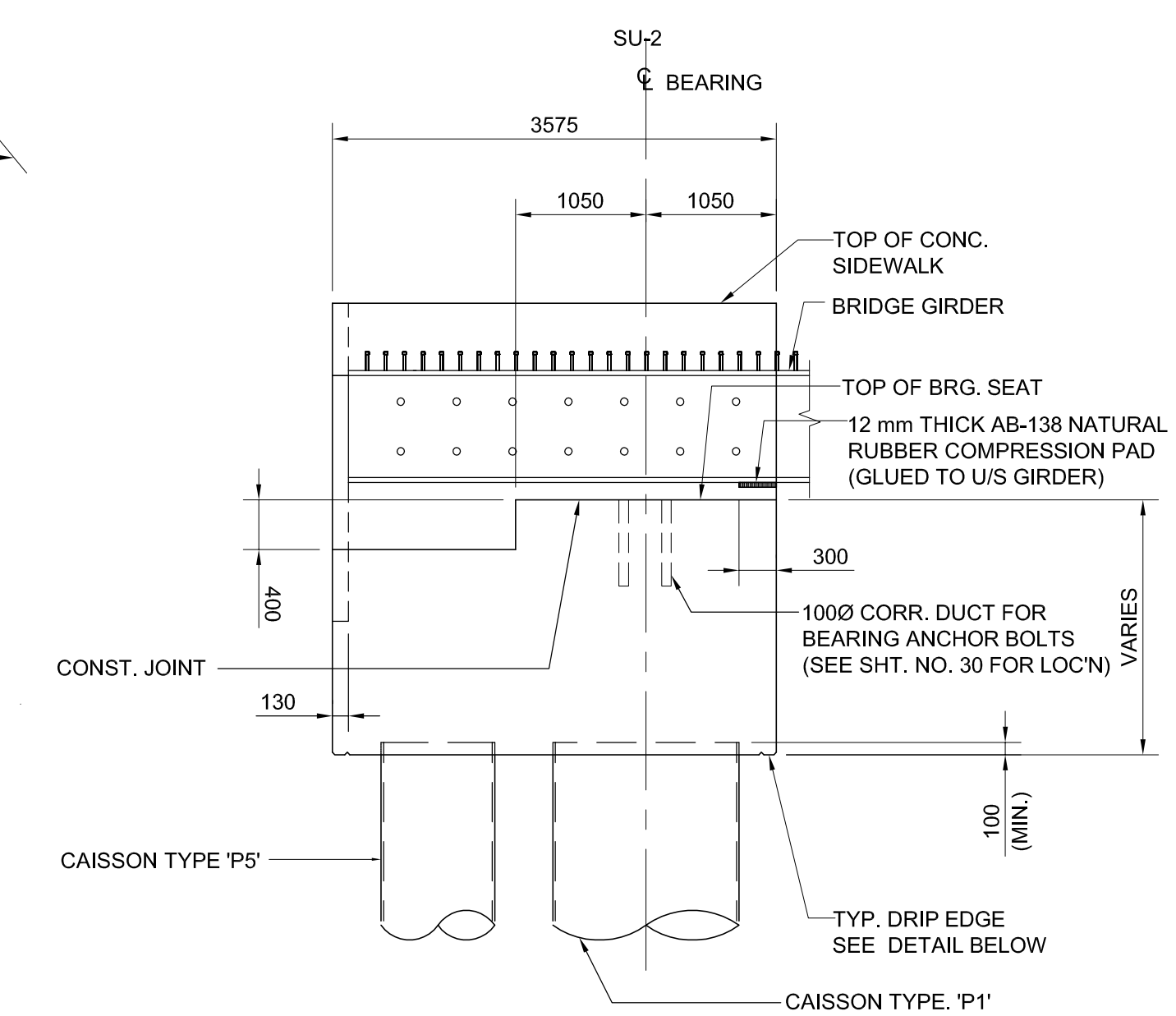
PIER SEAT PLAN
SCALE 1:50



SECTION B
SCALE 1:50

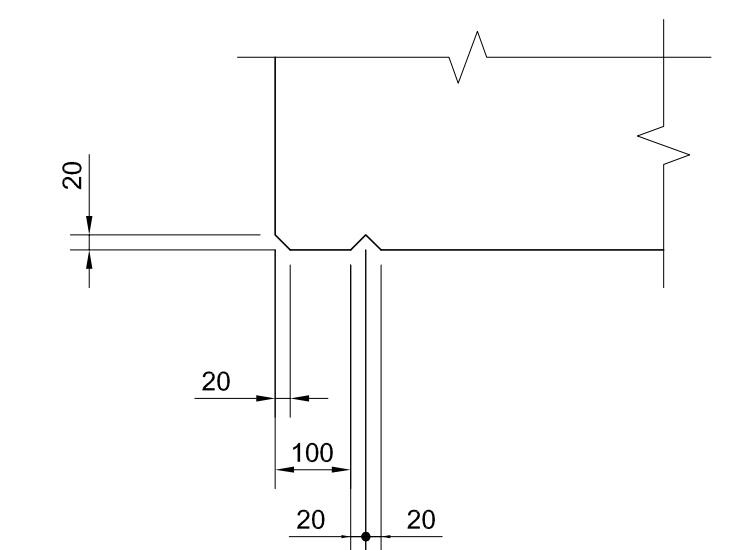


PIER CAP PLAN
SCALE 1:50



SECTION C
SCALE 1:50

FOR CONCRETE POUR SEQUENCE
SEE SECTION D & E ON SHEET 20



DRIP EDGE DETAIL
SCALE 1:10

NOTE:
1. ALL EXPOSED EDGES TO BE 20mm CHAMFER UNLESS NOTED OTHERWISE.

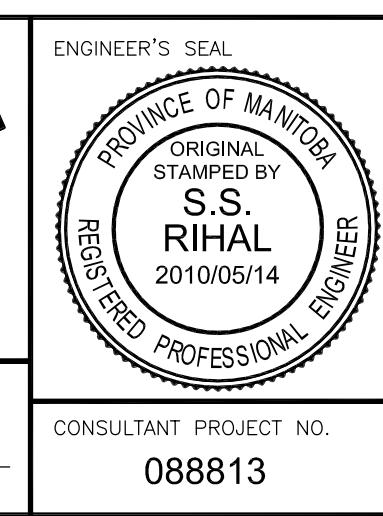
G:\CAD\088813\Contract\Contract 5-Osborne Station\Current\Bridges\C5-S1104- PIER SU-2 CONCRETE 1 OF 2.dwg



LOCATION UNDERGROUND	APPROVED STRUCTURES	B.M. ELEV.	654265 (633392.694, 5525026.192) 232.518	DESIGNED BY	FAK
SUPY. U/G STRUCTURES COMMITTEE	DATE			DRAWN BY	NBG
				CHECKED BY	SSR
				APPROVED BY	DPK
				HOR. SCALE	AS NOTED
				VERTICAL	
				DATE	2010/05/14
				DATE	2010/05/14

NO.	REVISIONS	DATE	BY
2	ISSUED FOR ADDENDUM #2	10/06/11	DPK
1	ISSUED FOR TENDER	10/05/14	DPK

RELEASSED FOR CONSTRUCTION	ORIGINAL SIGNED BY RANDY FINGAS	DATE	2010/05/14
----------------------------	---------------------------------	------	------------



THE CITY OF WINNIPEG TRANSIT DEPARTMENT	
SOUTHWEST RAPID TRANSIT CORRIDOR - STAGE 1 OSBORNE STATION & ASSOCIATED WORKS	
CITY DRAWING NUMBER B237-10-19	SHEET 19 OF 121
CONSULTANT PROJECT NO. 088813	
PIER SU-2 CONCRETE 1 OF 2	
CONSULTANT DRAWING NUMBER C5-S1104-T	