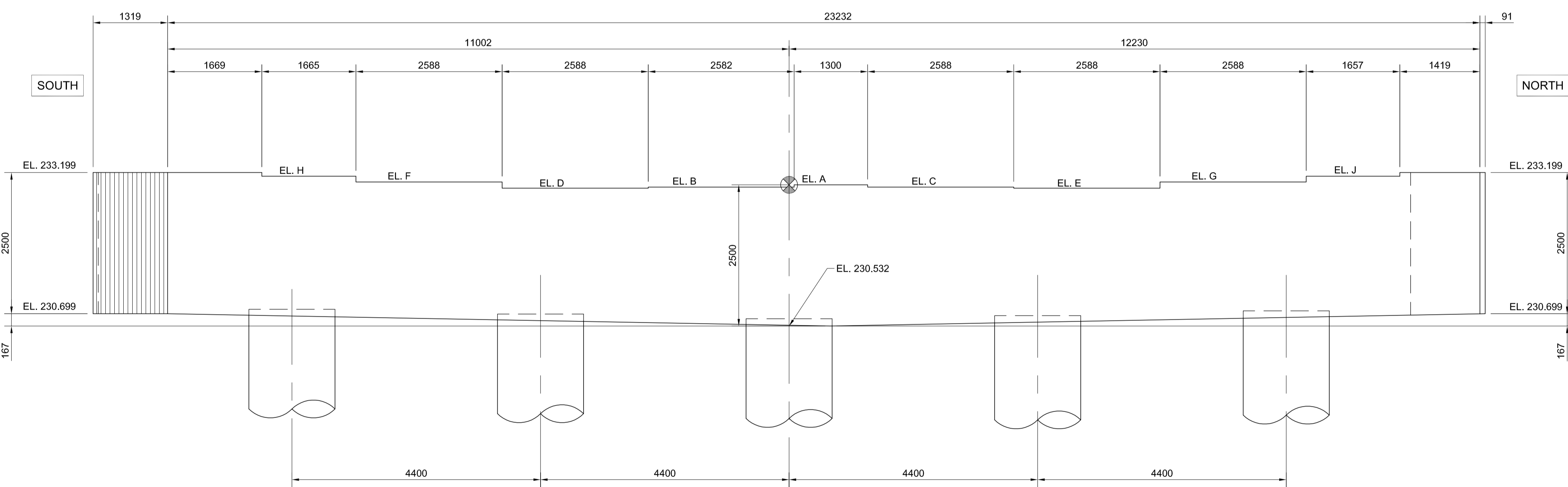
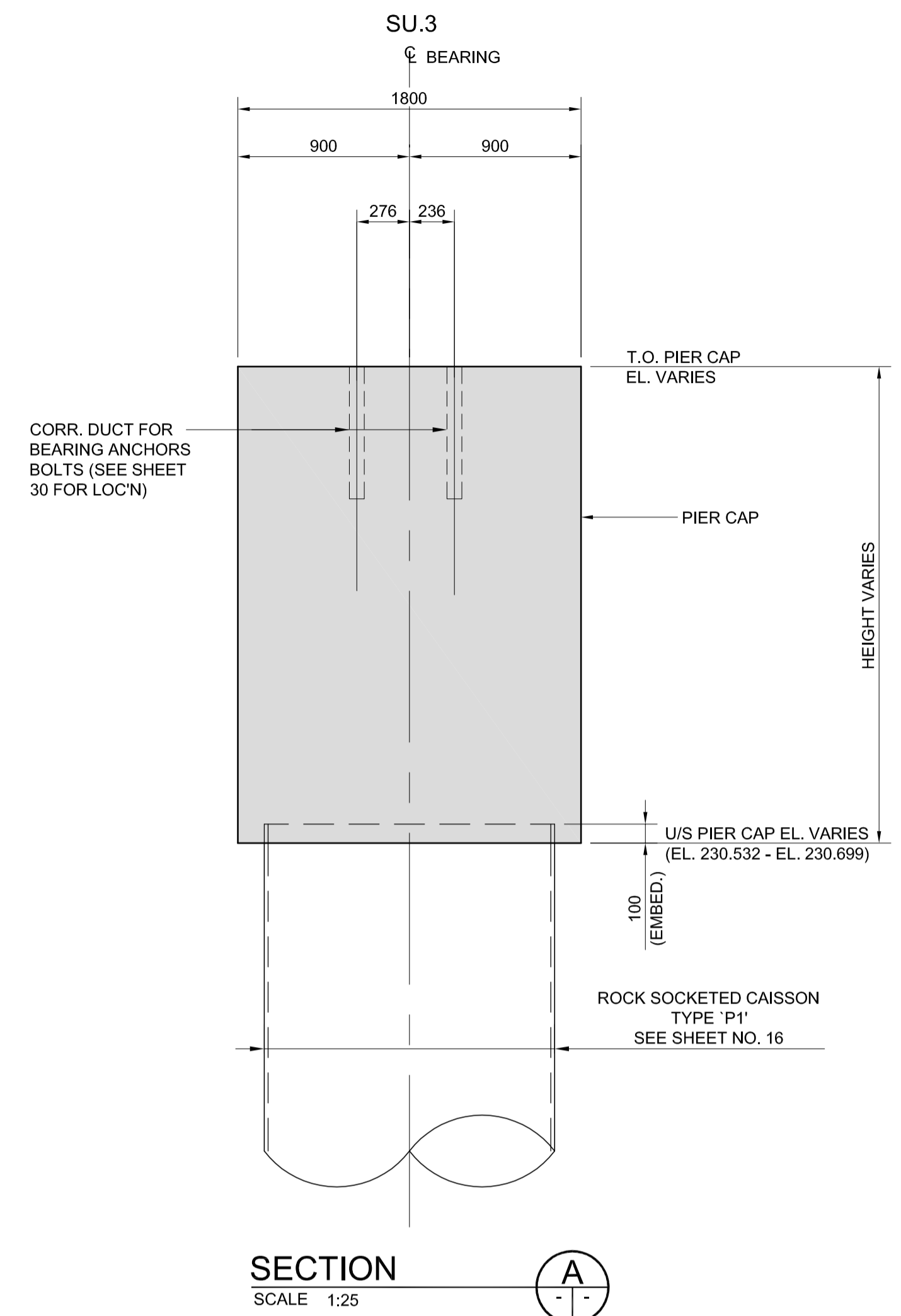


PLAN
SCALE 1:50



ELEVATION
SCALE 1:50



SECTION
SCALE 1:25

TABLE OF ELEVATIONS									
PIER	A	B	C	D	E	F	G	H	J
SU-3	233.032	232.988	232.994	232.943	232.954	233.073	233.087	233.165	233.185

NOTE:
1. ALL EXPOSED EDGES TO BE 20mm CHAMFER UNLESS NOTED OTHERWISE.



LOCATION UNDERGROUND APPROVED STRUCTURES SUPPLY U/G STRUCTURES COMMITTEE DATE NOTE: LOCATION OF UNDERGROUND STRUCTURES AS SHOWN ARE BASED ON THE BEST INFORMATION AVAILABLE BUT NO GUARANTEE IS GIVEN THAT ALL EXISTING UTILITIES ARE SHOWN OR THAT THE GIVEN LOCATIONS ARE EXACT. CONFIRMATION OF EXISTENCE AND EXACT LOCATION OF ALL SERVICES MUST BE OBTAINED FROM THE INDIVIDUAL UTILITIES BEFORE PROCEEDING WITH CONSTRUCTION.	B.M. ELEV. 654265 (633392.694, 5525026.192) 232.518 DESIGNED BY FAK DRAWN BY NBG CHECKED BY SSR APPROVED BY DPK HOR. SCALE AS NOTED VERTICAL AS NOTED NO. REVISIONS DATE BY	 RELEASED FOR CONSTRUCTION ORIGINAL SIGNED BY RANDY FINGAS DATE 2010/05/14	 CONSULTANT PROJECT NO. 088813	 SOUTHWEST RAPID TRANSIT CORRIDOR - STAGE 1 OSBORNE STATION & ASSOCIATED WORKS PIER SU-3 CONCRETE	CITY DRAWING NUMBER B237-10-23 SHEET 23 OF 121 CONSULTANT DRAWING NUMBER C5-S1108-T
--	--	---	-----------------------------------	--	---

G:\CAD\088813\Contract\Contract 5-Osborne Station\Current\Bridges\C5-S1108-T-PIER SU-3 CONCRETE.dwg