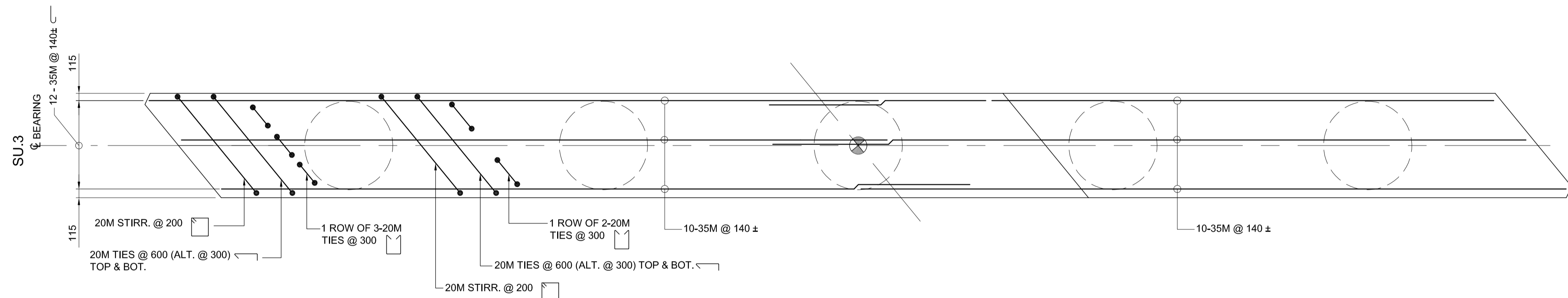
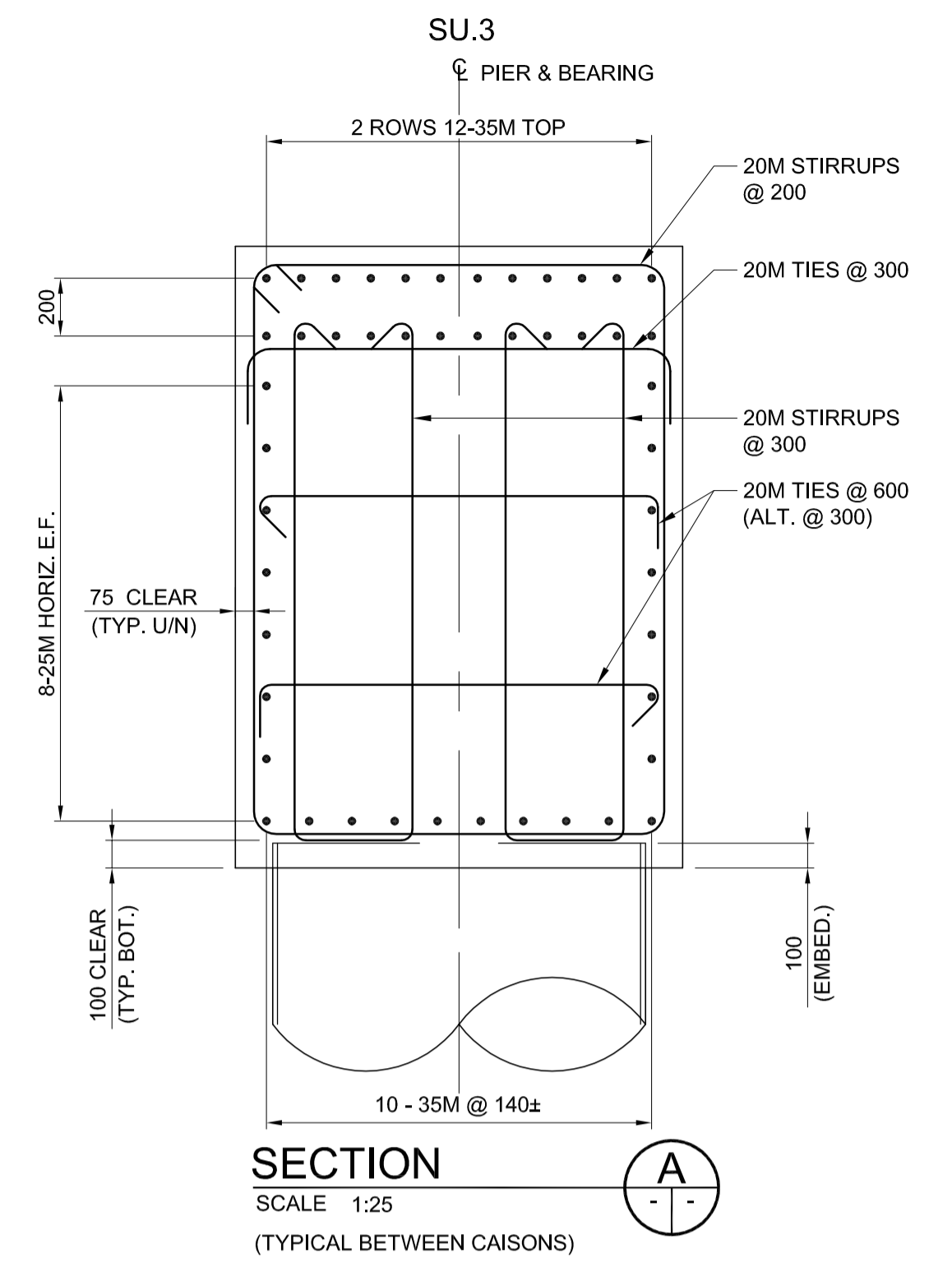


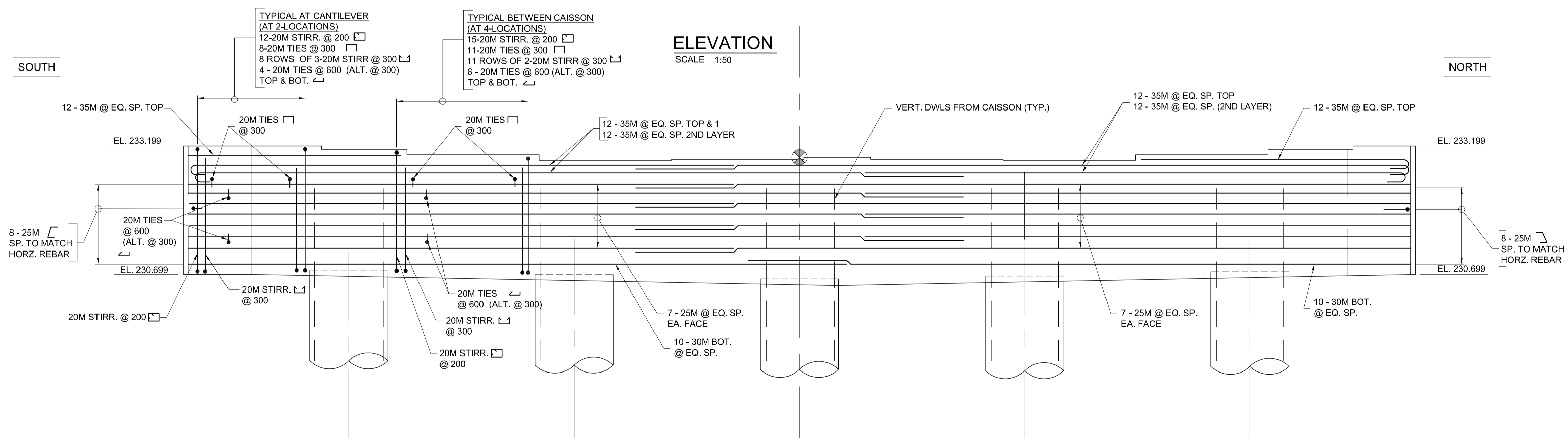
PLAN - TOP REINFORCEMENT
SCALE 1:50



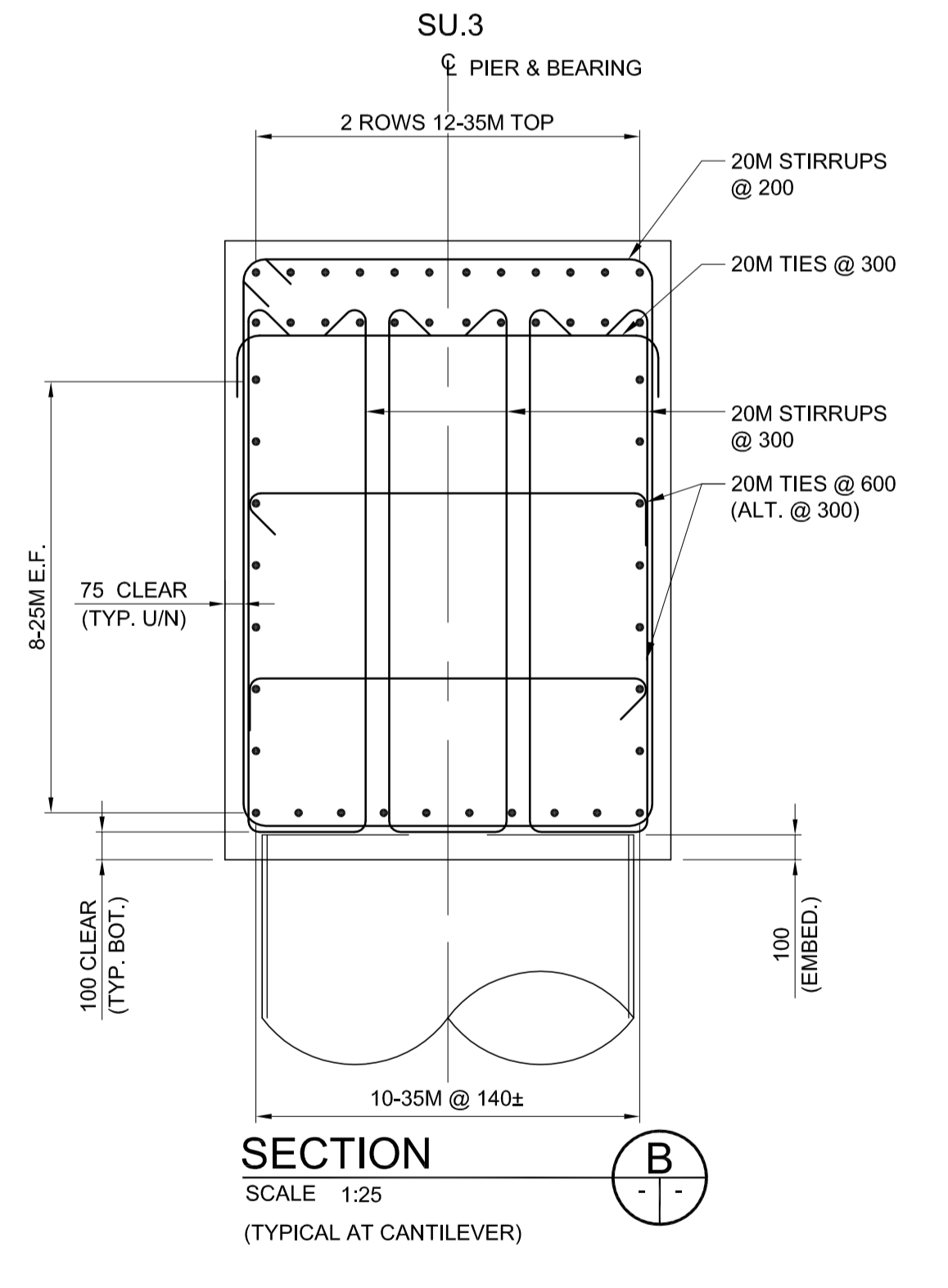
PLAN - BOTTOM REINFORCEMENT
SCALE 1:50



SECTION A
SCALE 1:25
(TYPICAL BETWEEN CAISSONS)



ELEVATION
SCALE 1:50



SECTION B
SCALE 1:25
(TYPICAL AT CANTILEVER)

G:\CAD\088813\Contract\Contract 5-Osborne Station\Current\Bridges\C5-S1109- Pier SU-3 REINFORCING.dwg



LOCATION UNDERGROUND STRUCTURES SUPPLY/G STRUCTURES COMMITTEE DATE	APPROVED DATE	B.M. ELEV. 654265 (633392.694, 5525026.192) 232.518	DESIGNED BY FAK DRAWN BY NBG CHECKED BY SSR APPROVED BY DPK			THE CITY OF WINNIPEG TRANSIT DEPARTMENT SOUTHWEST RAPID TRANSIT CORRIDOR - STAGE 1 OSBORNE STATION & ASSOCIATED WORKS	CITY DRAWING NUMBER B237-10-24 SHEET 24 OF 121
NOTE: LOCATION OF UNDERGROUND STRUCTURES AS SHOWN ARE BASED ON THE BEST INFORMATION AVAILABLE BUT NO GUARANTEE IS GIVEN THAT ALL EXISTING UTILITIES ARE SHOWN OR THAT THE GIVEN LOCATIONS ARE EXACT. CONFIRMATION OF EXISTENCE AND EXACT LOCATION OF ALL SERVICES MUST BE OBTAINED FROM THE INDIVIDUAL UTILITIES BEFORE PROCEEDING WITH CONSTRUCTION.			HOR. SCALE AS NOTED VERTICAL AS NOTED				RELEASED FOR CONSTRUCTION ORIGINAL SIGNED BY RANDY FINGAS DATE 2010/05/14