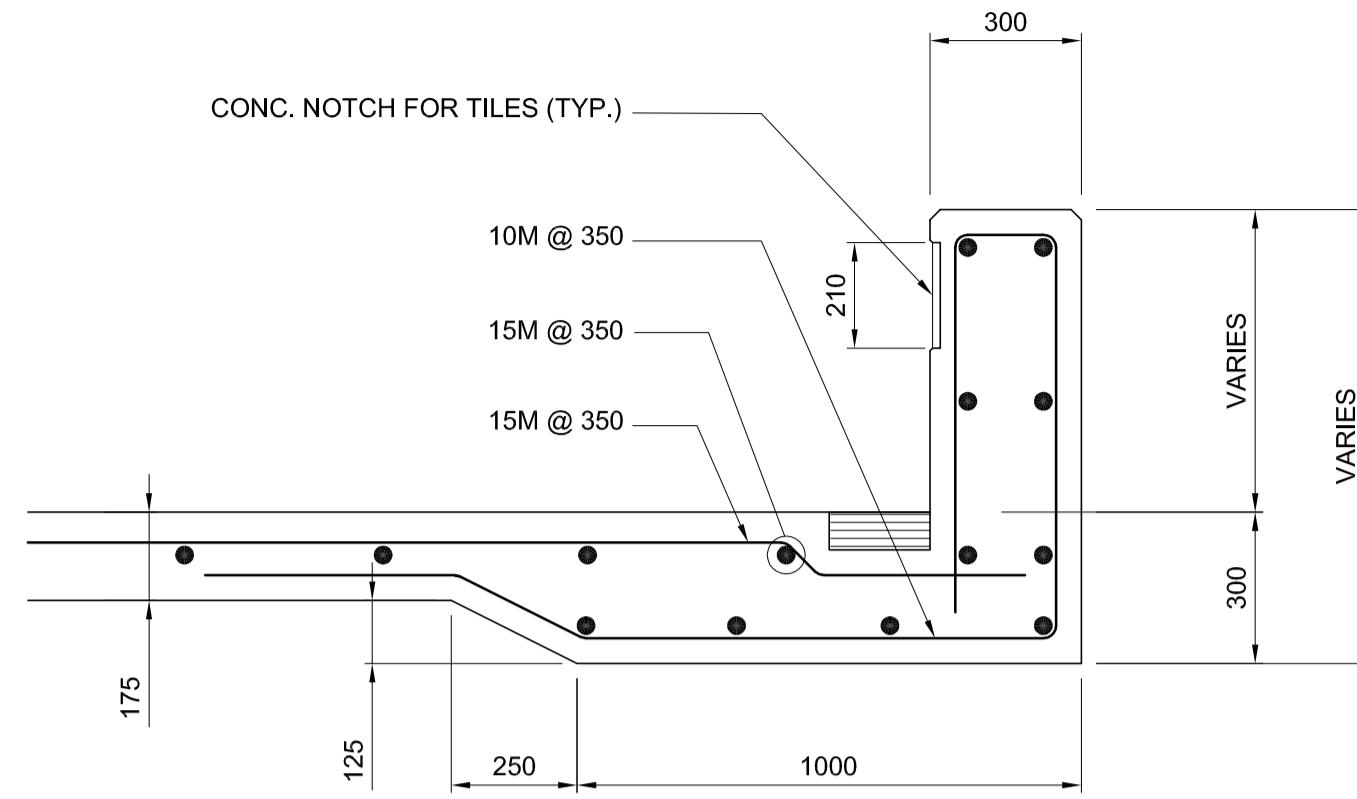


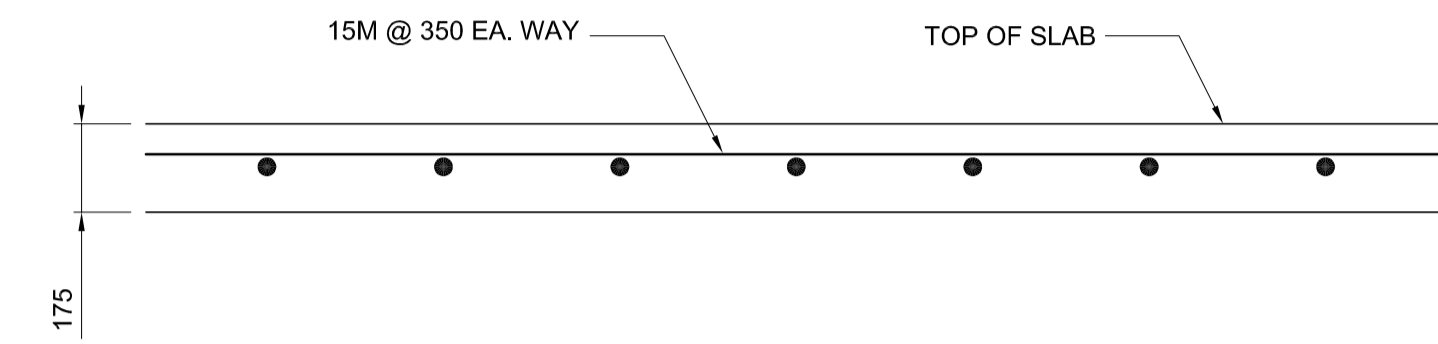
CONCRETE CURB TYPE C 1

SECTION A
SCALE 1:15

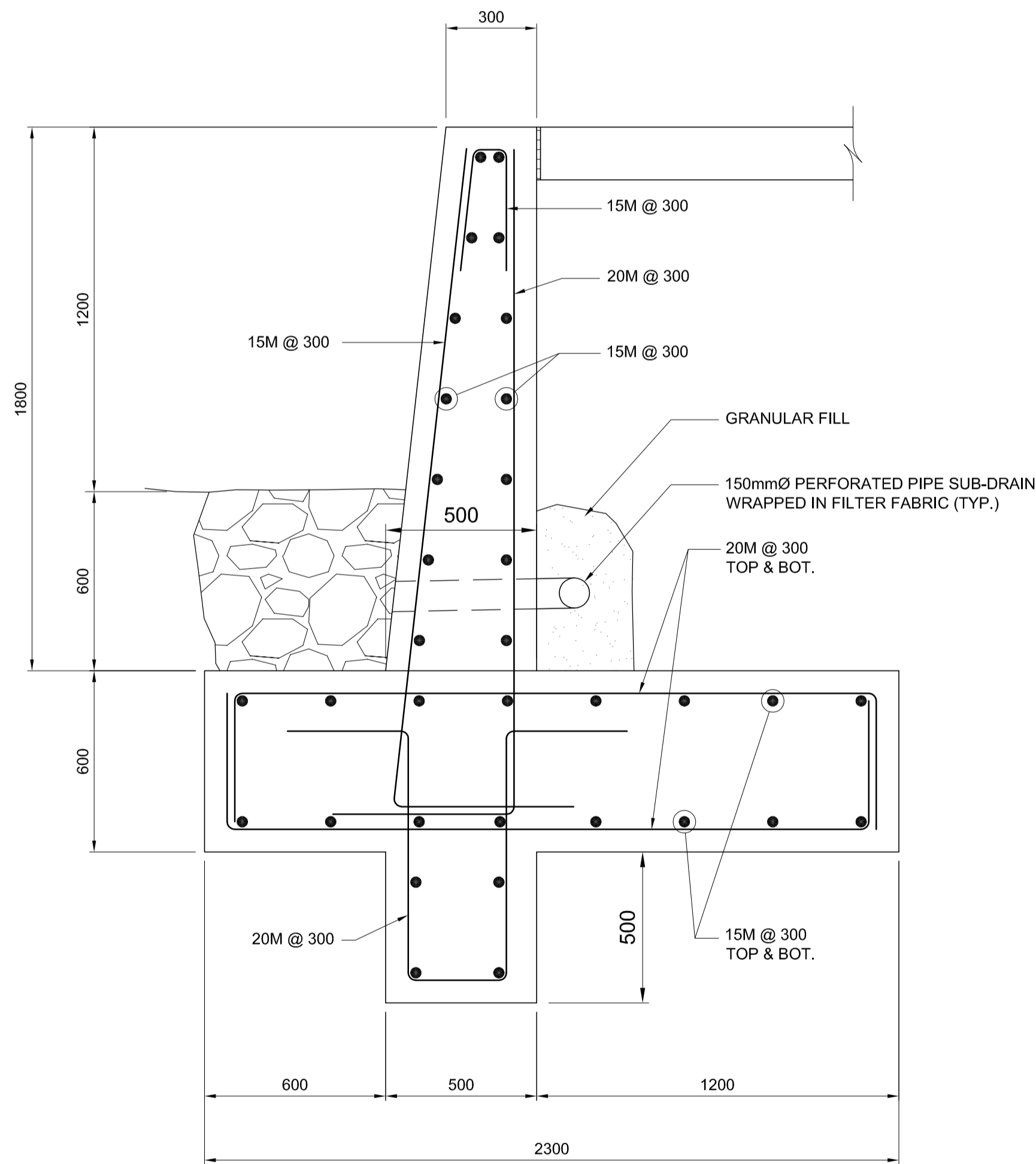


CONCRETE CURB TYPE C 2

SECTION B
SCALE 1:15

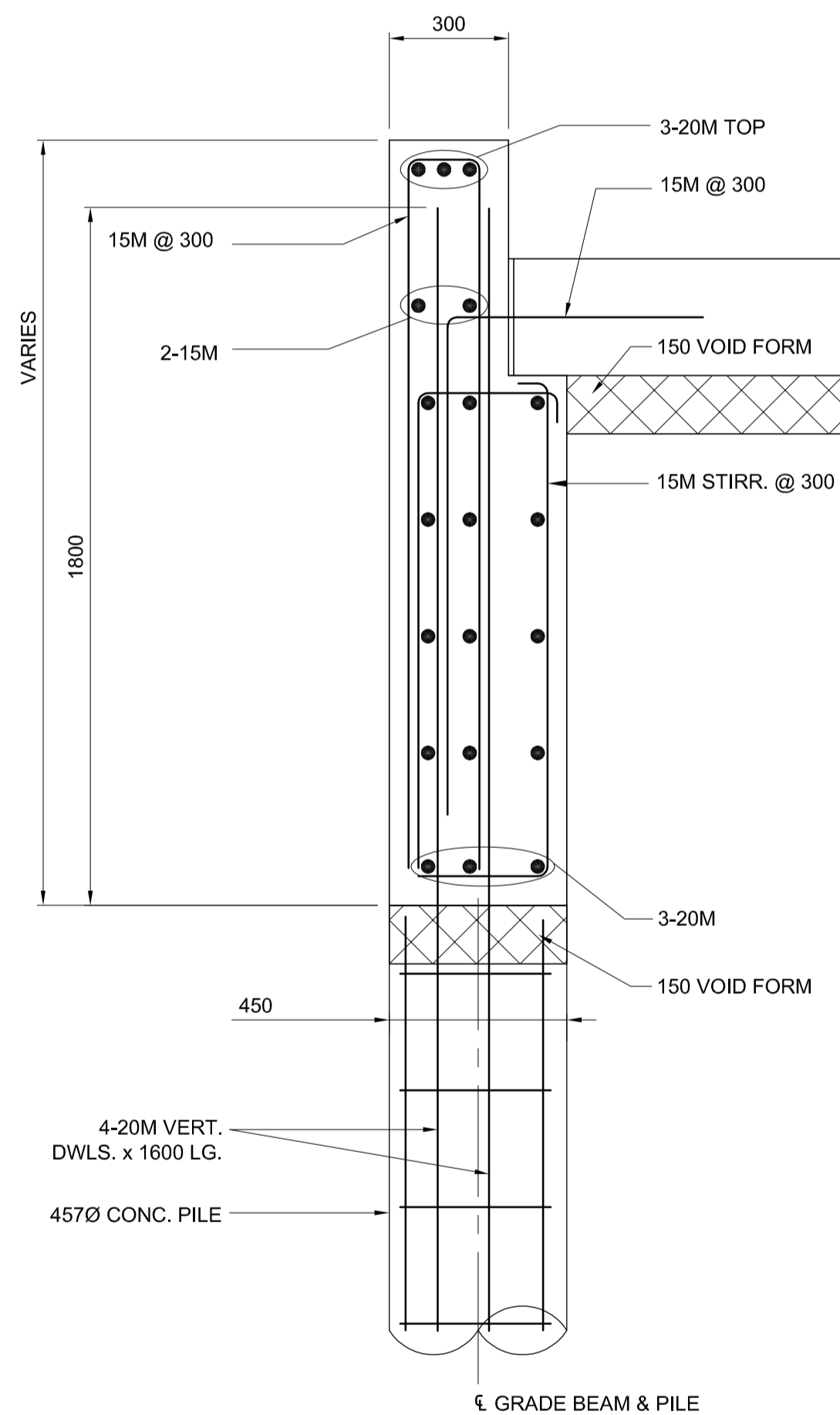


TYPICAL SLAB DETAIL
SCALE 1:15



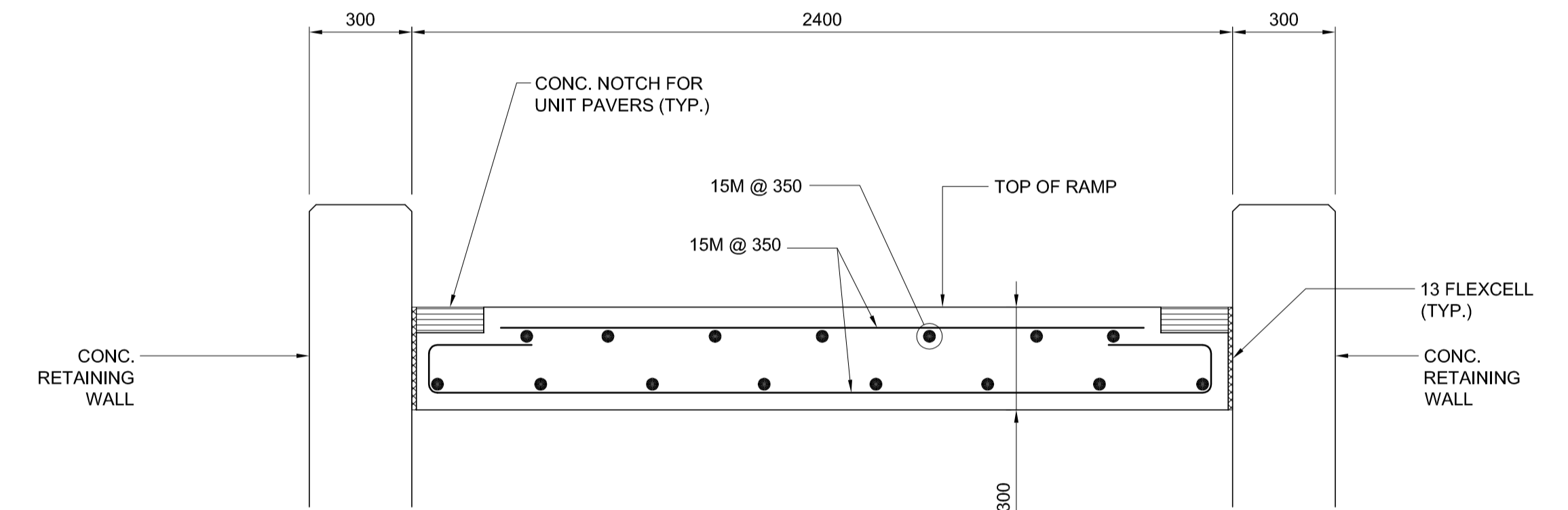
RETAINING WALL TYPE RW 5

SECTION C
SCALE 1:15



RETAINING WALL TYPE RW 4

SECTION K
SCALE 1:15



TYPICAL CONCRETE SLAB RAMP DETAIL
SCALE 1:15

G:\CAD\088813\Contract\Contract 5-Osborne Station\Current\Bridge\C5-S1142-EAST-PLAZA-DETAILS 2.dwg



LOCATION UNDERGROUND	APPROVED STRUCTURES	B.M. ELEV. 654265 (633392.694, 5525026.192) 232.518	DESIGNED BY FAK		ENGINEER'S SEAL		
SUPV. U/G STRUCTURES COMMITTEE	DATE		DRAWN BY NBG /PMW				SOUTHWEST RAPID TRANSIT CORRIDOR - STAGE 1
NOTE:			CHECKED BY SSR				OSBORNE STATION & ASSOCIATED WORKS
LOCATION OF UNDERGROUND STRUCTURES AS SHOWN ARE BASED ON THE BEST INFORMATION AVAILABLE BUT NO GUARANTEE IS GIVEN THAT ALL EXISTING UTILITIES ARE SHOWN OR THAT THE GIVEN LOCATIONS ARE EXACT. CONFIRMATION OF EXISTENCE AND EXACT LOCATION OF ALL SERVICES MUST BE OBTAINED FROM THE INDIVIDUAL UTILITIES BEFORE PROCEEDING WITH CONSTRUCTION.			APPROVED BY DPK				SHEET 65 OF 121
			HOR. SCALE	RELEASED FOR CONSTRUCTION	CONSULTANT PROJECT NO. 088813		
			VERTICAL	ORIGINAL SIGNED BY RANDY FINGAS			EAST SIDE PEDESTRIAN PLAZA - SECTIONS & DETAILS 2 OF 3
			DATE 2010/05/14	DATE 2010/05/14		CITY DRAWING NUMBER B237-10-65	
						CONSULTANT DRAWING NUMBER C5-S1150-T	