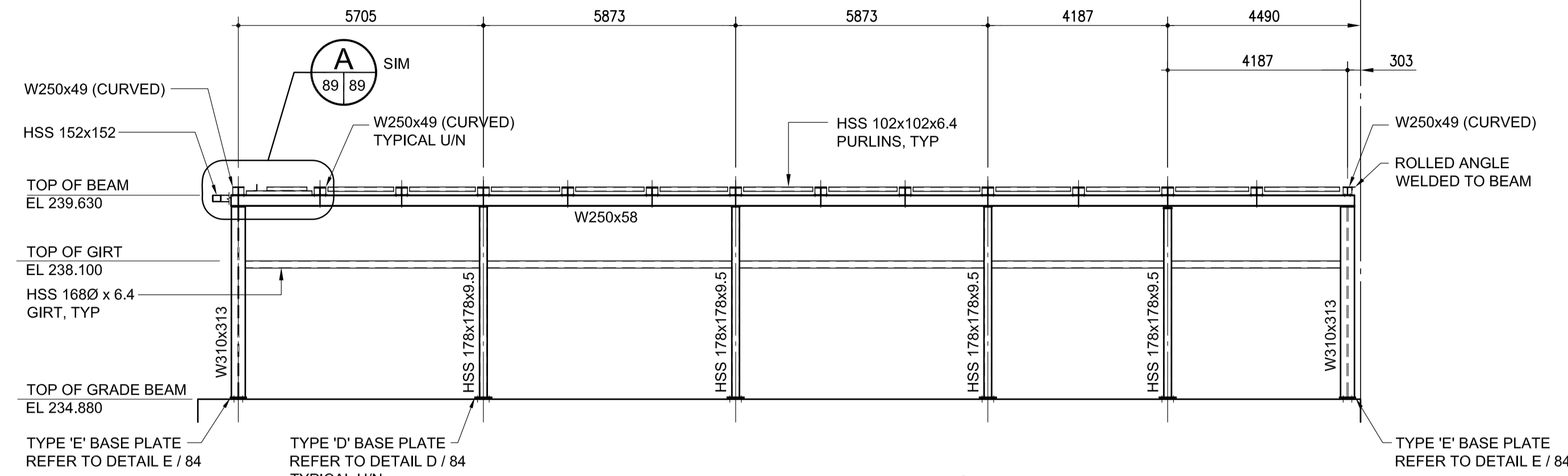
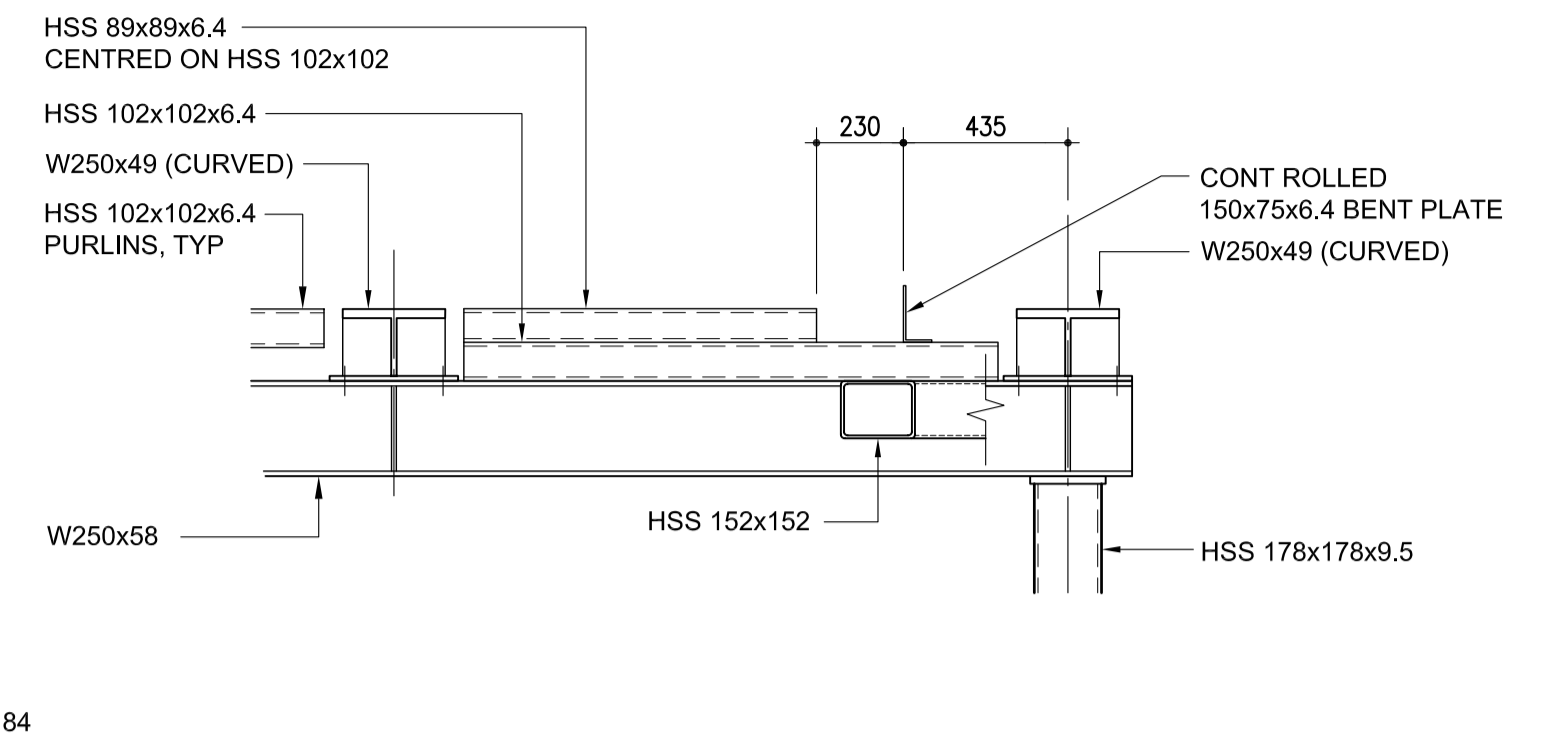


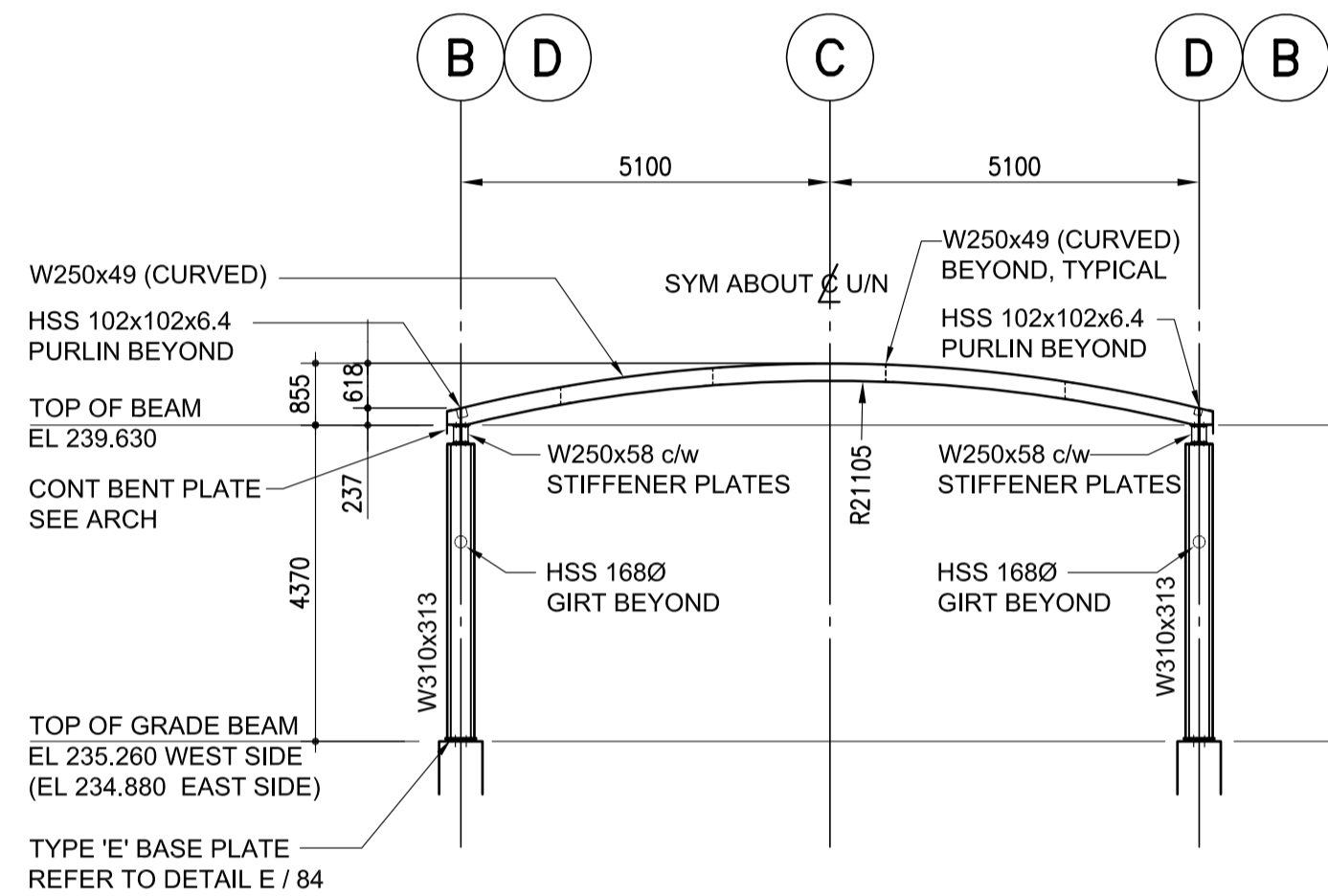
SECTION 1
SCALE 1:100



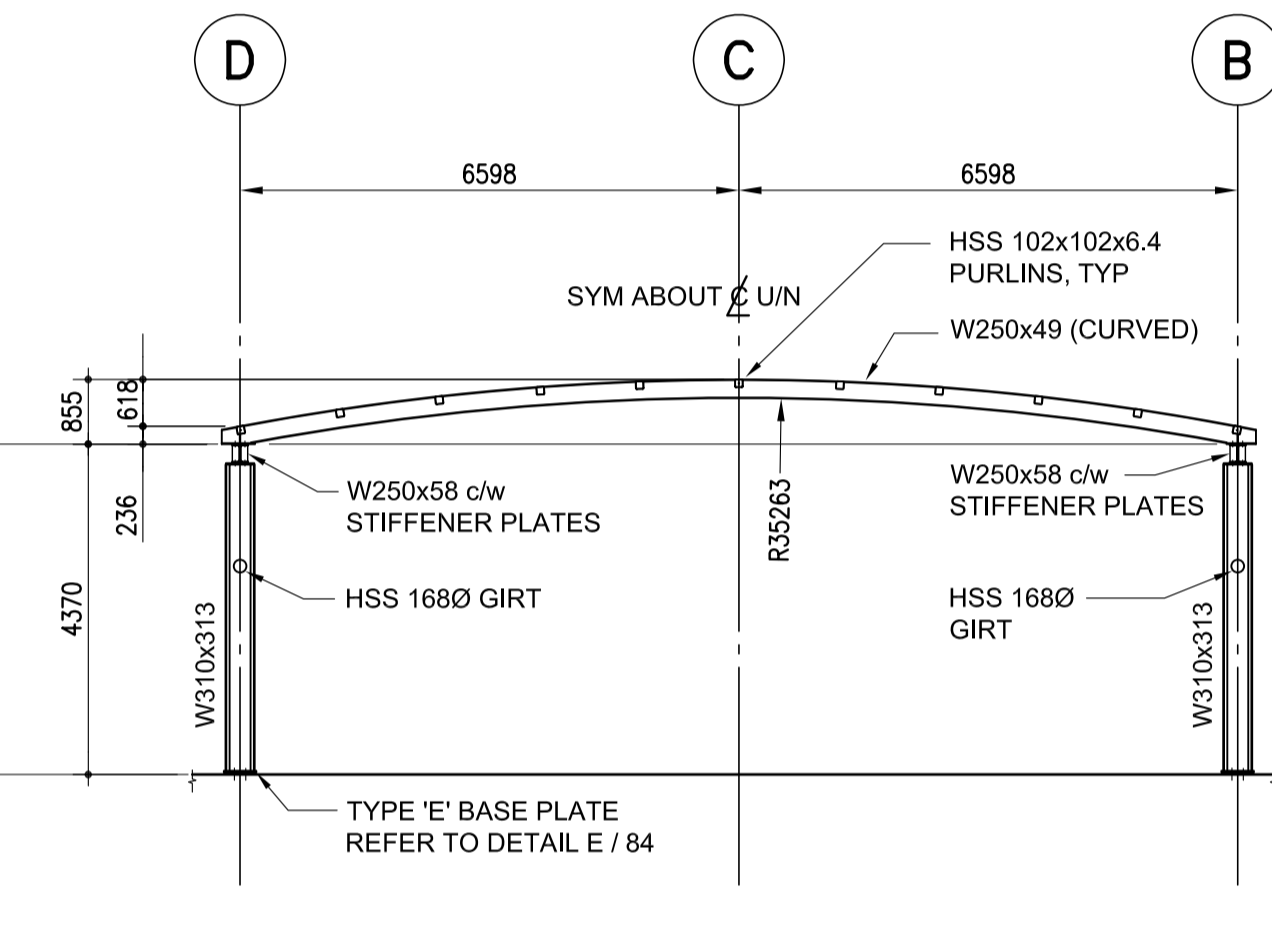
SECTION 2
SCALE 1:100



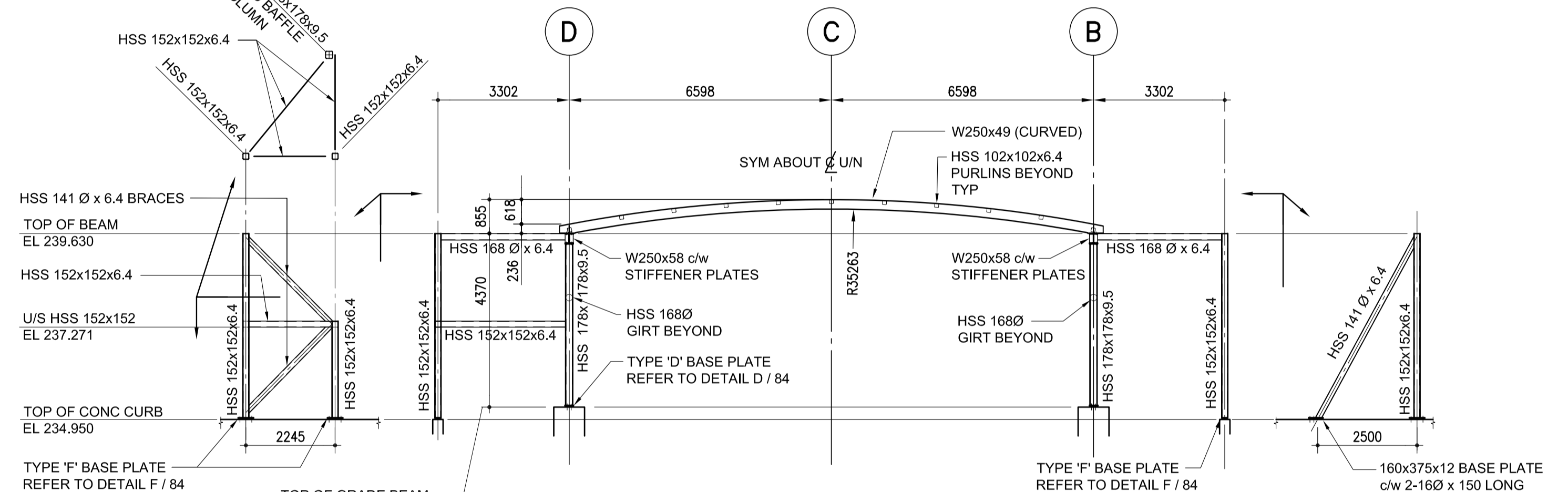
DETAIL A
SCALE 1:20



SECTION 3
SCALE 1:100



SECTION 4
SCALE 1:100



SECTION 5
SCALE 1:100

REFER TO ADDENDUM #2 FOR WRITTEN DESCRIPTION OF REVISIONS MADE TO DRAWINGS.

APEGM
Certificate of Authorization
Crosier Kilgour & Partners Ltd.
No. 235 Date: May 14, 2010

300-275 Carlton Street
Winnipeg, Manitoba R2C 5R6
T 204.943.7501
F 204.943.7507
2009-1280
Crosier Kilgour & Partners Ltd.
CONSULTING STRUCTURAL ENGINEERS

LOCATION UNDERGROUND	APPROVED STRUCTURES	B.M. ELEV.
SUPV. U/G STRUCTURES COMMITTEE	DATE	
NOTE: LOCATION OF UNDERGROUND STRUCTURES AS SHOWN ARE BASED ON THE BEST INFORMATION AVAILABLE BUT NO GUARANTEE IS GIVEN THAT ALL EXISTING UTILITIES ARE SHOWN OR THAT THE GIVEN LOCATIONS ARE EXACT. CONFIRMATION OF EXISTENCE AND EXACT LOCATION OF ALL SERVICES MUST BE OBTAINED FROM THE INDIVIDUAL UTILITIES BEFORE PROCEEDING WITH CONSTRUCTION.		

NO.	REVISIONS	DATE	BY	DATE
2	ISSUED FOR ADDENDUM #2	10/06/11	TKM	
1	ISSUED FOR TENDER	10/05/14	TKM	

DESIGNED BY	DRAWN BY	CHECKED BY	APPROVED BY
BMN / TKM	CL	BMN / TKM	

DILLON CONSULTING

RELEASED FOR CONSTRUCTION
ORIGINAL SIGNED BY RANDY FINGAS
DATE 2010/05/14

ENGINEER'S SEAL
PROVINCE OF MANITOBA
ORIGINAL STAMPED BY
T.K. MALKIEWICZ
2010/05/14
REGISTERED PROFESSIONAL ENGINEER
CONSULTANT PROJECT NO.
088813

THE CITY OF WINNIPEG TRANSIT DEPARTMENT

Winnipeg

SOUTHWEST RAPID TRANSIT CORRIDOR - STAGE 1
OSBORNE STATION & ASSOCIATED WORKS

CITY DRAWING NUMBER
B237-10-89
SHEET 89 OF 121
CONSULTANT DRAWING NUMBER
C5-2105-T