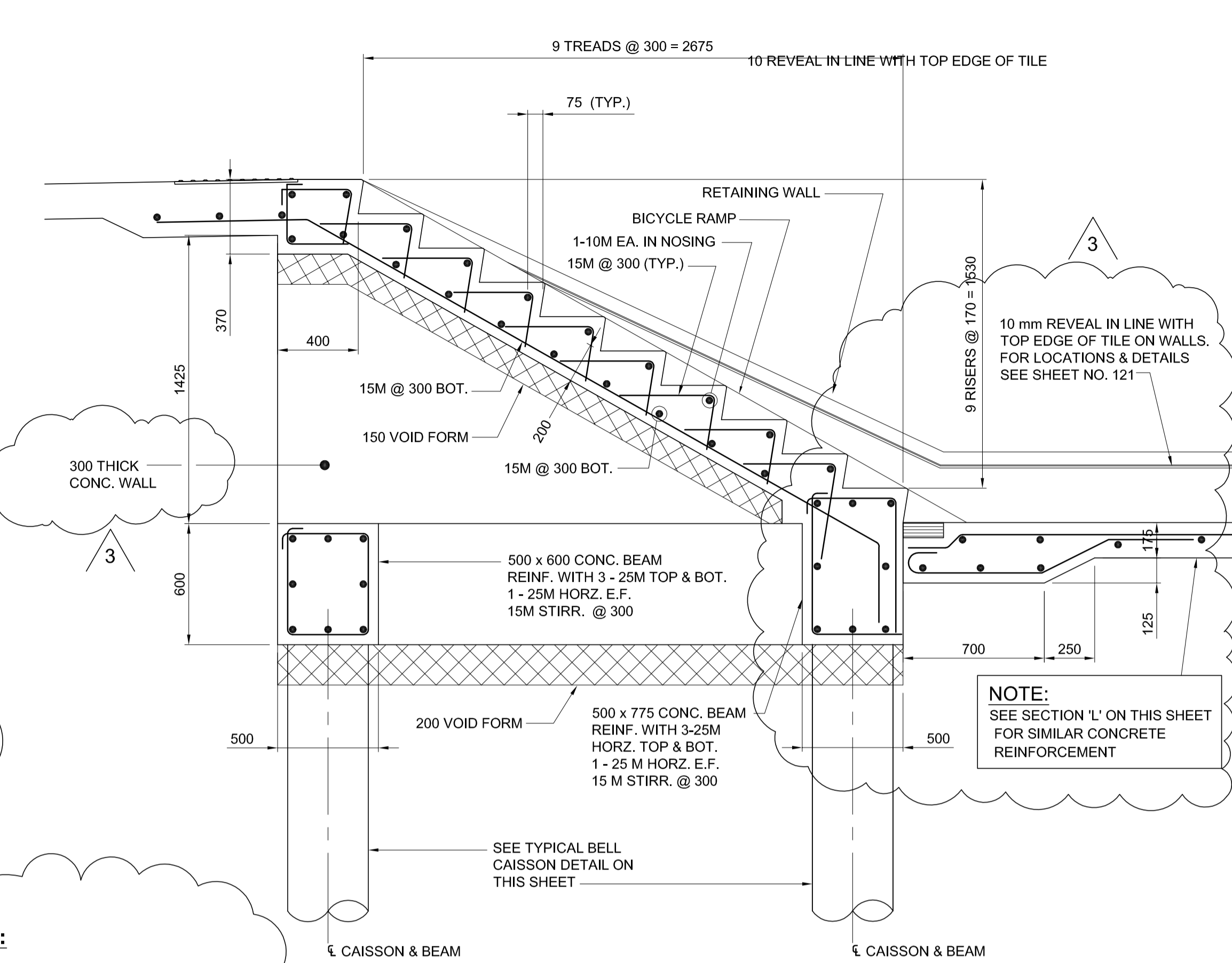
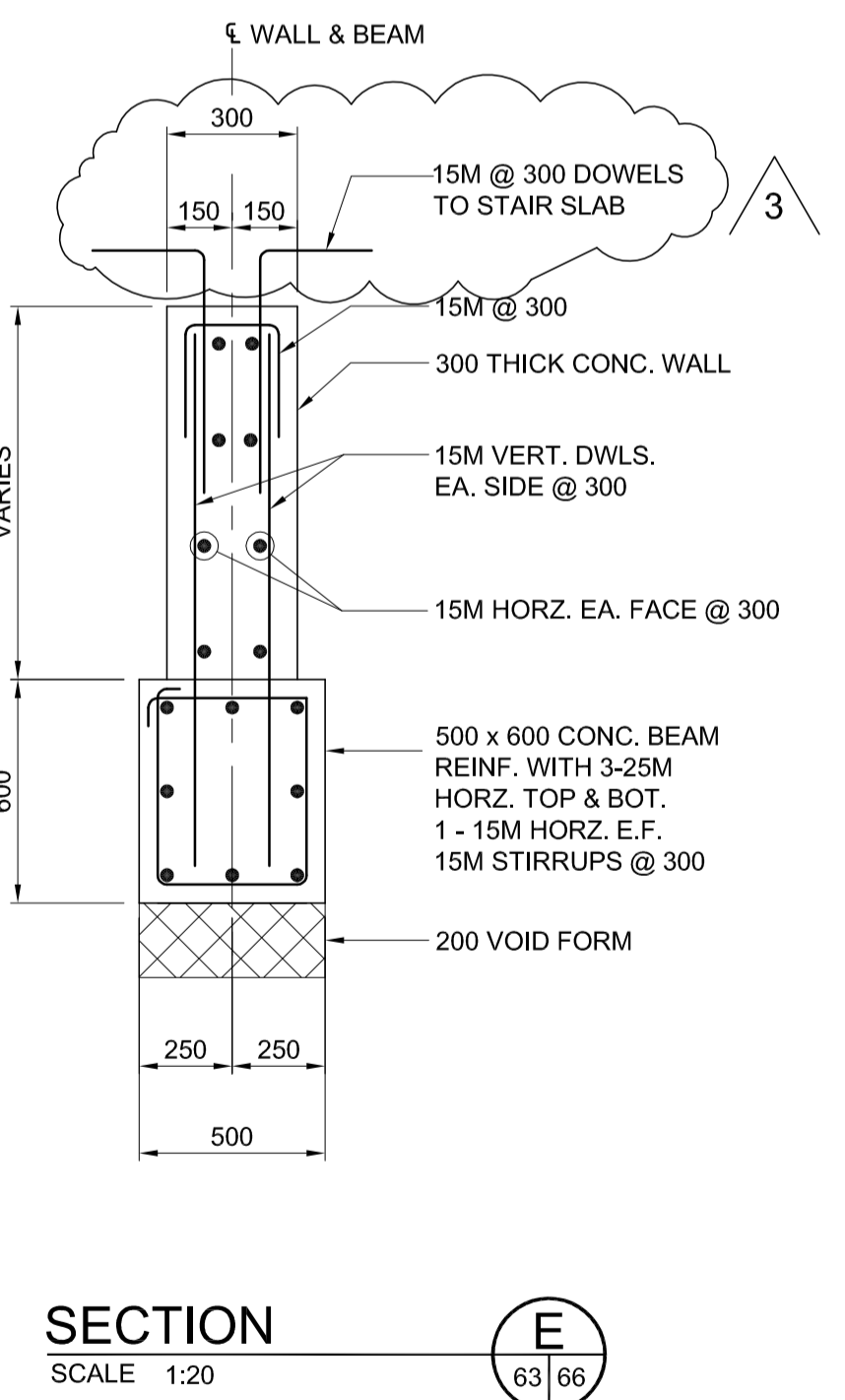


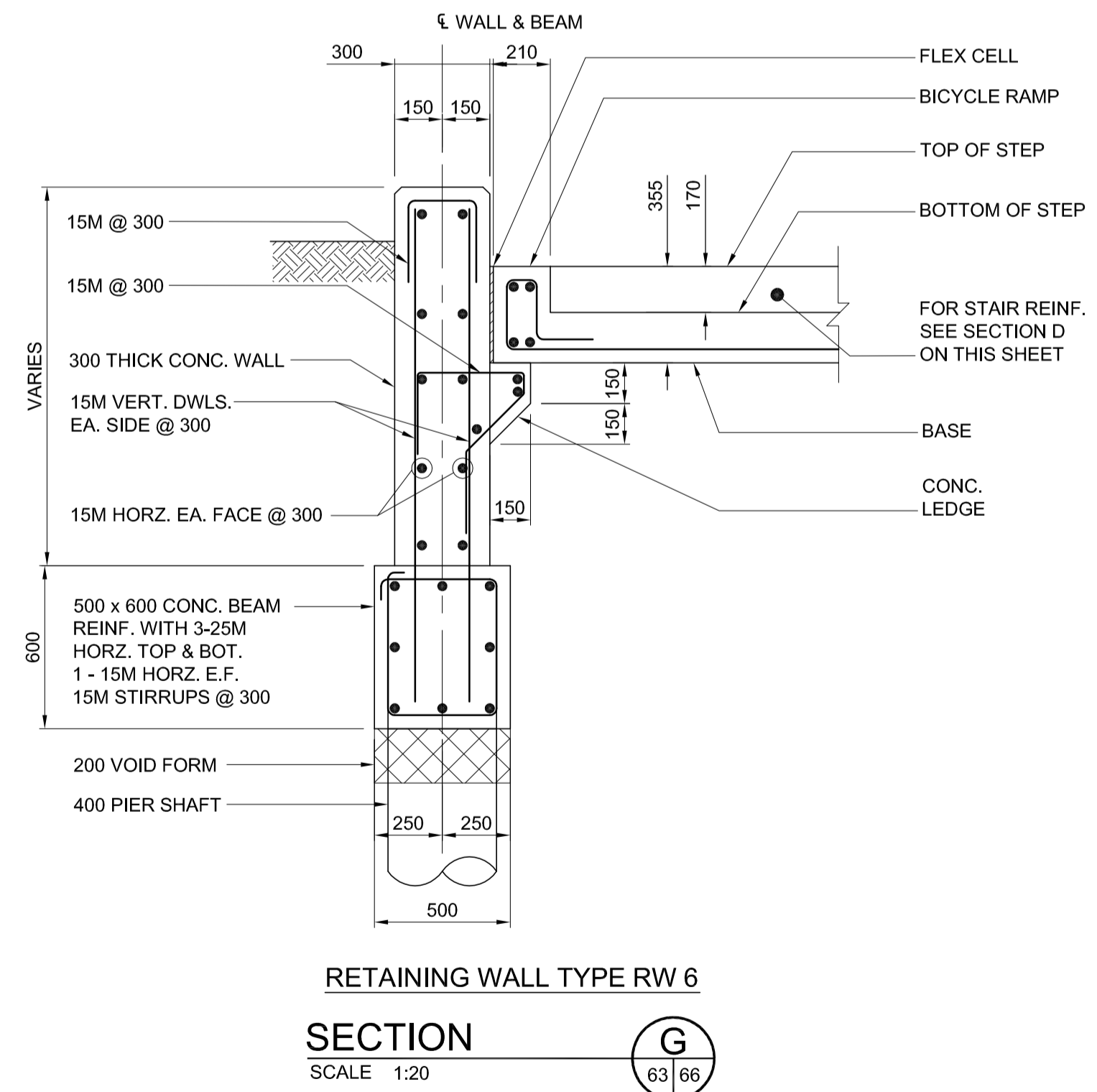
NOTES:

- TRENCH GRATE MODEL OT TITLE-24 MANUFACTURED BY URBAN ACCESSORIES CONTACT: PLAYWORKS Inc. 1-800-667-4264 www.urbanaccessories.com/Specs.pdf
- CONFIRM TRENCH DIMENSIONS WITH MANUFACTURER



TYPICAL LOWER STAIR DETAIL

SECTION D
SCALE 1:20



LOCATION UNDERGROUND	APPROVED STRUCTURES	B.M. ELEV.	654265 (633392.694, 5525026.192) 232.518	DESIGNED BY	FAK
SUPY. U/G STRUCTURES COMMITTEE	DATE	CHECKED BY	SSR	DRAWN BY	NBG /PMW
NOTE:	LOCATION OF UNDERGROUND STRUCTURES AS SHOWN ARE BASED ON THE BEST INFORMATION AVAILABLE BUT NO GUARANTEE IS GIVEN THAT ALL EXISTING UTILITIES ARE SHOWN OR THAT THE GIVEN LOCATIONS ARE EXACT. CONFIRMATION OF EXISTENCE AND EXACT LOCATION OF ALL SERVICES MUST BE OBTAINED FROM THE INDIVIDUAL UTILITIES BEFORE PROCEEDING WITH CONSTRUCTION.	APPROVED BY	DPK	APPROVED BY	DPK
3 ISSUED FOR ADDENDUM #3	10/06/23	DPK		HOR. SCALE	
2 ISSUED FOR ADDENDUM #2	10/06/11	DPK		VERTICAL	
1 ISSUED FOR TENDER	10/05/14	DPK		DATE	2010/05/14
NO. REVISIONS	DATE	BY		DATE	2010/05/14

APEGM
Certificate of Authorization
Dillon Consulting Limited (MB)
No. 1789 Date: 2010/05/14

DILLON CONSULTING
RELEASED FOR CONSTRUCTION
ORIGINAL SIGNED BY RANDY FINGAS
DATE 2010/05/14

ENGINEER'S SEAL
PROVINCE OF MANITOBA
ORIGINAL STAMPED BY
S.S. RIHAL
2010/05/14
REGISTERED PROFESSIONAL ENGINEER
CONSULTANT PROJECT NO.
088813

THE CITY OF WINNIPEG TRANSIT DEPARTMENT
Winnipeg
SOUTHWEST RAPID TRANSIT CORRIDOR - STAGE 1
OSBORNE STATION & ASSOCIATED WORKS
EAST SIDE PEDESTRIAN PLAZA - SECTIONS & DETAILS 3 OF 3
CITY DRAWING NUMBER
B237-10-66
SHEET 66 OF 121
CONSULTANT DRAWING NUMBER
C5-S1151-T