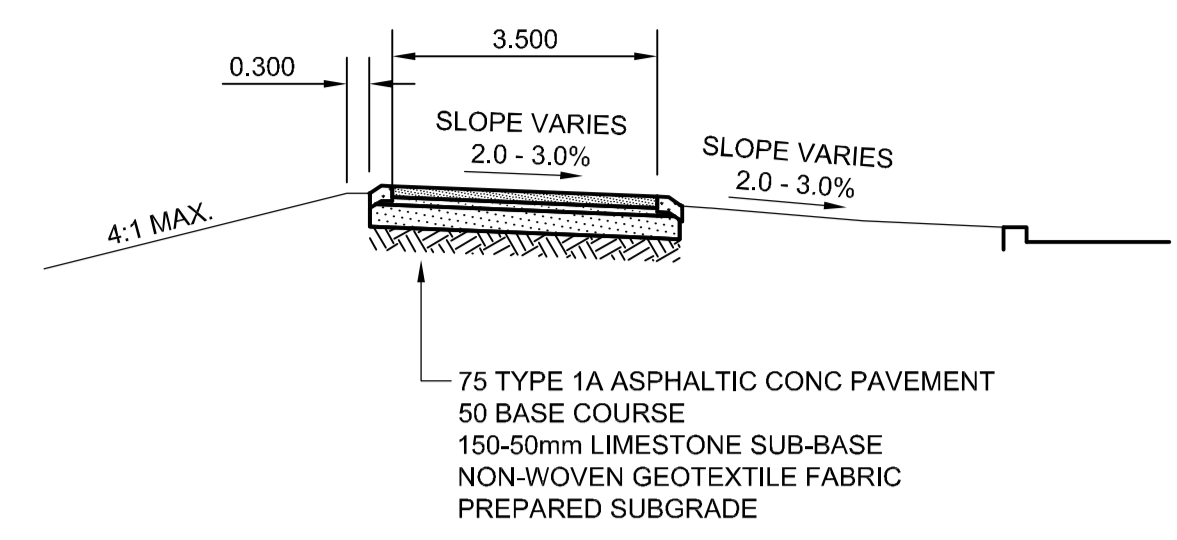


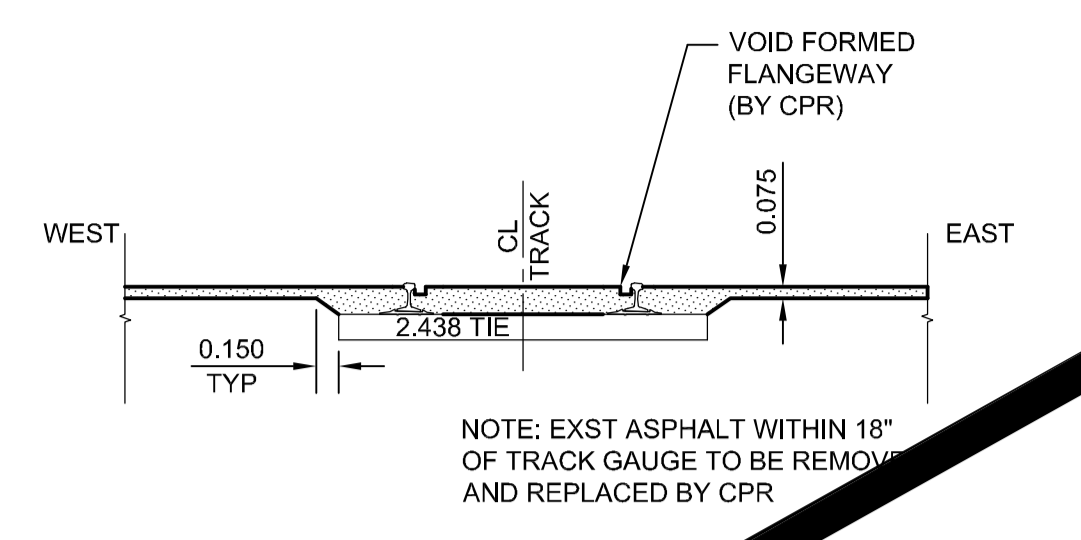
MATCH LINE - DWG NO. 01



TYPICAL SECTION

0 1 2 3 m H=1:100
 0 0.5 1 1.5 m V=1:50

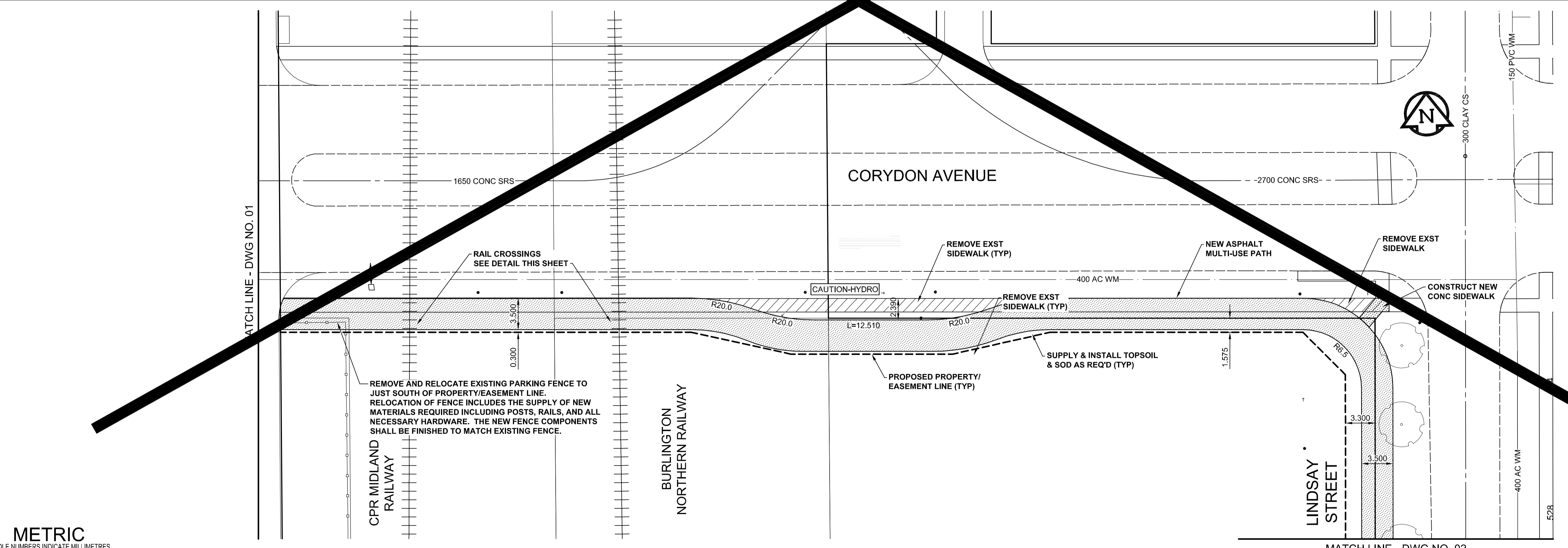
MULTI-USE PATH
FRONTING LINDSAY STREET



RAIL CROSSING SECTION

0 0.5 1 m SCALE 1:50

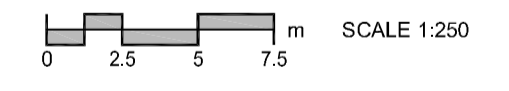
CANADIAN PACIFIC RAILWAY
MIDLAND SUBDIVISION



MATCH LINE - DWG NO. 01

MATCH LINE - DWG NO. 02

METRIC
 WHOLE NUMBERS INDICATE MILLIMETRES
 DECIMALIZED NUMBERS INDICATE METRES



AECOM
 Certificate of Authorization
 AECOM Canada Ltd.
 No. 4671 Date: 2/20/11

	GAS		MANHOLE
	MTS		CATCH BASIN / CATCH PIT
	HYDRO		CURB INLET WITH BOX
	CATV/FO		TREE
	TRAFFIC SIGNALS/PIT		TEST HOLE
	LAND DRAINAGE SEWER		PROPERTY LINE
	SANITARY/COMBINED SEWER		SURVEY BAR
	SSP/DCP		FENCE
	WATERMAIN		BOC/EOPAVT
	SUBDRAIN		ELEVATION
	DITCH		TRAFFIC SIGN
	EXISTING		NEW

	CONCRETE PAVEMENT
	ASPHALT PAVEMENT
	CONC. SIDEWALK/MEDIAN
	PAVING STONE
	GRAVEL
	RAMP CURB
	PLANING/REMOVAL

	LOCATION APPROVED
	UNDERGROUND STRUCTURES
	SUPR. U/G STRUCTURES
	DATE COMMITTEE
NOTE: LOCATION OF UNDERGROUND STRUCTURES AS SHOWN ARE BASED ON THE BEST INFORMATION AVAILABLE. BUT NO GUARANTEE IS GIVEN THAT ALL EXISTING UTILITIES ARE SHOWN OR THAT THE GIVEN LOCATIONS ARE EXACT. CONFIRMATION OF EXISTENCE AND EXACT LOCATION OF ALL SERVICES MUST BE OBTAINED FROM THE INDIVIDUAL UTILITIES BEFORE PROCEEDING WITH CONSTRUCTION.	

	AECOM
DESIGNED BY	JGK/GFN
CHECKED BY	JC
DRAWN BY	KLC
APPROVED BY	TGS
HOR. SCALE	1:250
VERT. SCALE	1:10
DATE	10/06/09
RELEASED FOR CONSTRUCTION	DATE JUNE 8, 2010
ORIGINAL SIGNED BY:	B.M. WOROBY

PROFESSIONAL'S SEAL

 CONSULTANT DRAWING NO.
 060144303_02-CT1001_RX.dwg

THE CITY OF WINNIPEG
 PUBLIC WORKS DEPARTMENT
 ENGINEERING DIVISION

2010 ACTIVE TRANSPORTATION/ INFRASTRUCTURE STIMULUS PROGRAM

**FLEET/ WARSAW AVENUE
 RENFREW STREET TO
 LINDSAY STREET
 MULTI-USE PATH**

CITY DRAWING NUMBER
 W-377-01

SHEET 1 OF 22

DRAWING No. 01 REV 1

BID OPPORTUNITY NO. 307-2010