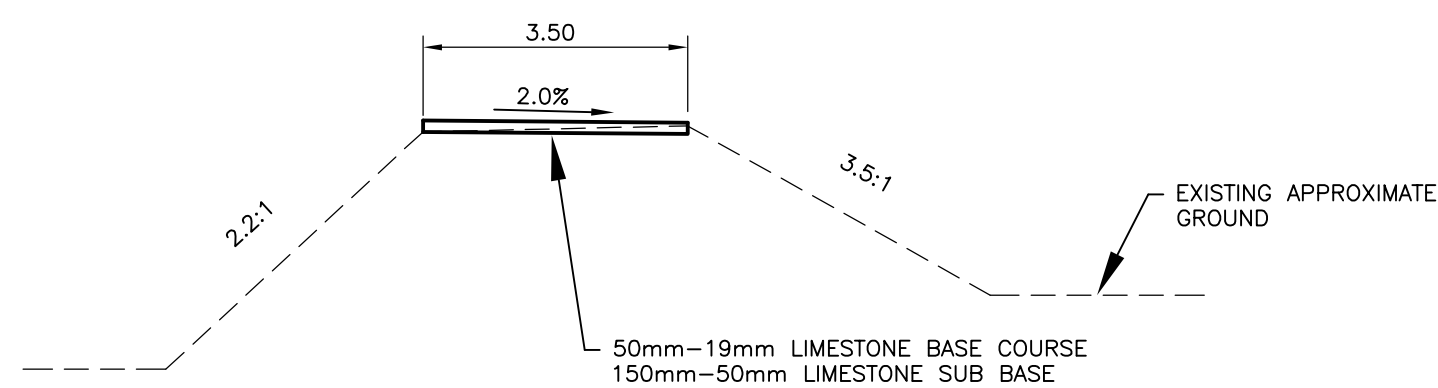
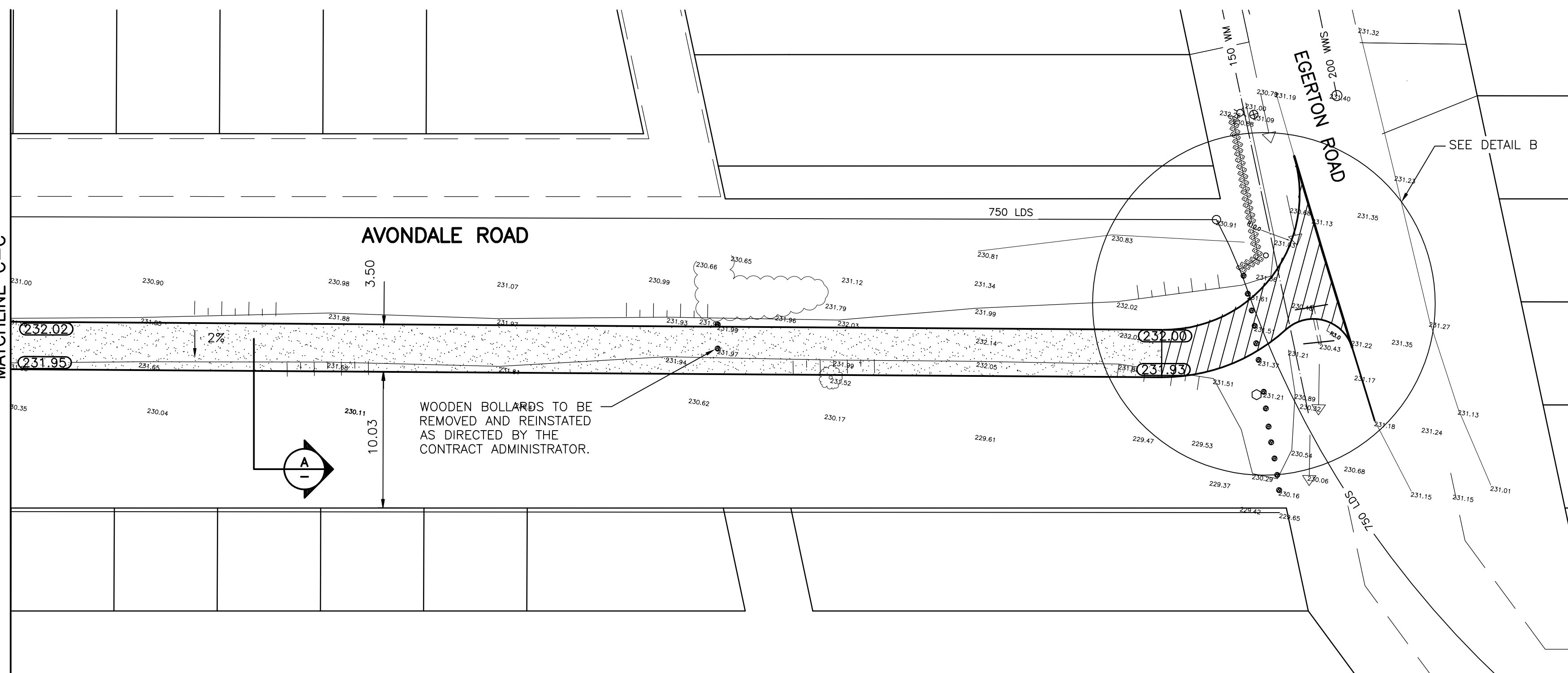
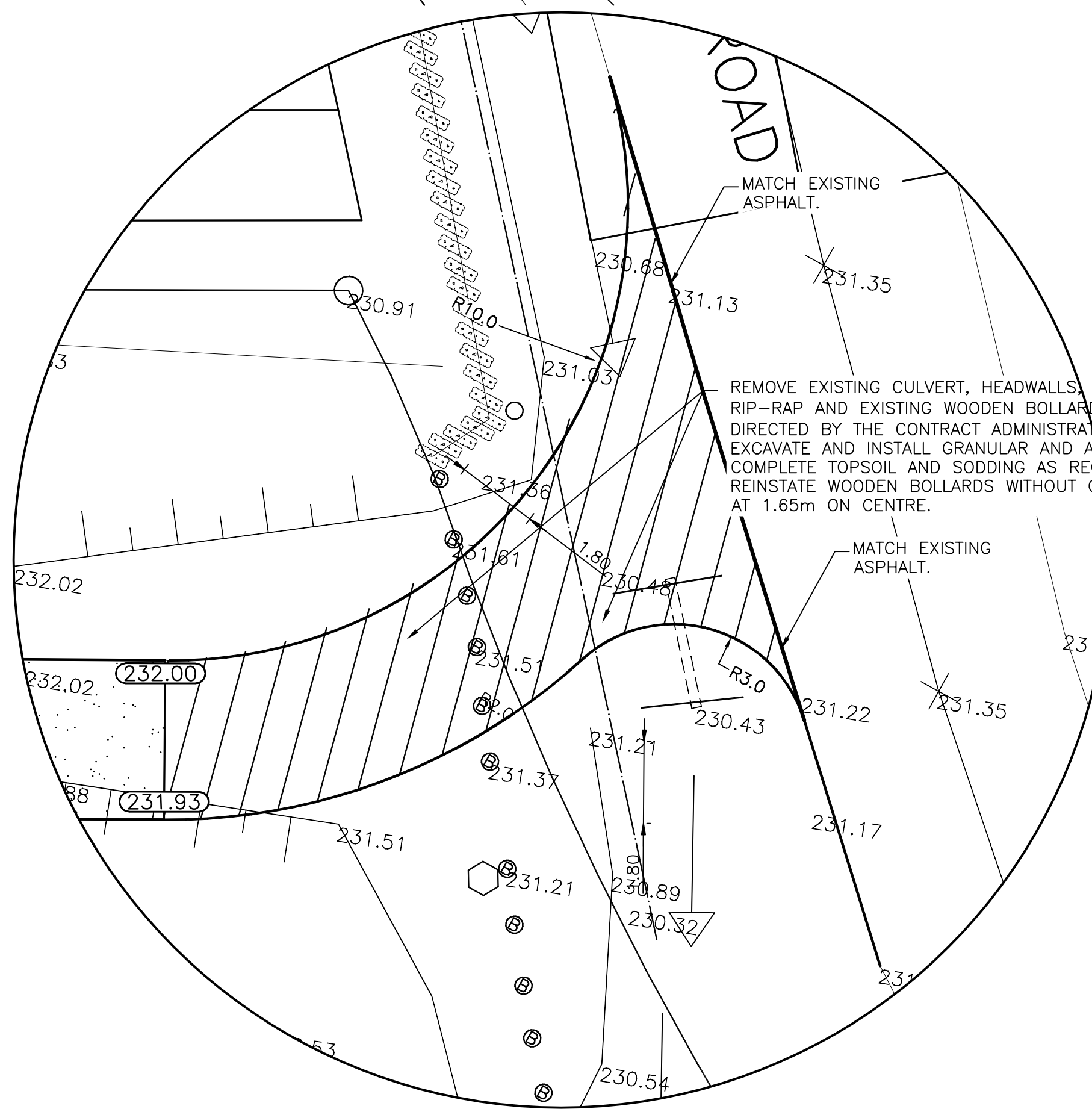


FOR CONTINUATION SEE DWG. C-403
MATCHLINE C-C



A TYPICAL SECTION
1:100H 1:50V



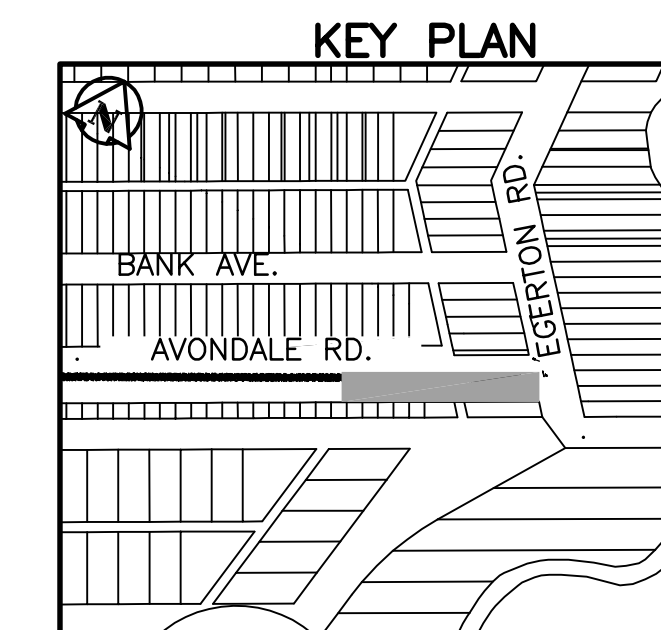
N.E. COR. HANDSIDE AVE. & EGERTON RD., 19mm DIA. x 4.6M I.B. IN VALVE BOX, 3.0m S. OF N. L. OF HANDSIDE AVE. ALONG E.L. OF EGERTON RD.

DETAIL B
SCALE: 1:100

METRIC
WHOLE NUMBERS INDICATE MILLIMETRES
DECIMALIZED NUMBERS INDICATE METRES

WARNING
IF POWER EQUIPMENT OR EXPLOSIVES ARE TO BE USED FOR EXCAVATION ON THIS PROJECT THE CONTRACTOR MUST:
1) NOTIFY THE GAS COMPANY OF THE PROPOSED LOCATION OF EXCAVATION.
2) TAKE PRECAUTION TO AVOID DAMAGE TO GAS COMPANY INSTALLATIONS.
SEE PROVINCIAL REGULATION 140/92 FOR DETAILS

APEGM
Certificate of Authorization
Stantec Consulting Ltd.
No. 1301 Date: _____



EXISTING	LEGEND-PLAN	PROPOSED	EXISTING	LEGEND-PLAN	PROPOSED
150 WM	WATERMAIN	150 WM	HYDRO	HYDRO	HYDRO
300 LDS	LAND DRAINAGE SEWER	300 LDS	M.T.S.	M.T.S.	M.T.S.
250 WWS	WASTE WATER SEWER	250 WWS	CONCRETE	CONCRETE	CONCRETE
MANHOLE	MANHOLE	MANHOLE	ASPHALT	ASPHALT	ASPHALT
CATCH BASIN	CATCH BASIN	CATCH BASIN	SIDEWALK	SIDEWALK	SIDEWALK
CURB INLET	CURB INLET	CURB INLET	PROPERTY LINE	PROPERTY LINE	PROPERTY LINE
JUNCTIONS	JUNCTIONS	JUNCTIONS	SURVEY BAR	SURVEY BAR	SURVEY BAR
CULVERT	CULVERT	CULVERT	DITCH	DITCH	DITCH
GAS	GAS	GAS	ELEVATION	ELEVATION	ELEVATION
			SIDEWALK RAMP	SIDEWALK RAMP	SIDEWALK RAMP
			GRANULAR	GRANULAR	GRANULAR

LOCATION APPROVED UNDERGROUND STRUCTURES

SUPV. U/G STRUCTURES COMMITTEE DATE

NOTE:
LOCATION OF UNDERGROUND STRUCTURES AS SHOWN ARE BASED ON THE BEST INFORMATION AVAILABLE BUT NO GUARANTEE IS GIVEN THAT THE GIVEN LOCATIONS ARE EXACT. CONFIRMATION OF EXISTENCE AND EXACT LOCATION OF ALL SERVICES MUST BE OBTAINED FROM THE INDIVIDUAL UTILITIES BEFORE PROCEEDING WITH CONSTRUCTION.

B.M. 54-017
ELEV.

NO.	REVISIONS	DATE	BY
2	ADDENDUM #3	10.05.10	W.K.B.
1	ISSUED FOR TENDER	10.06.01	W.K.B.
0	ISSUED FOR REVIEW	10.0X.XX	W.K.B.

Stantec Consulting Ltd.
905 Waverley Street, Winnipeg, Manitoba
Tel 204-489-5900 Fax 204-453-9012

DESIGNED BY: W.K.B. CHECKED BY: W.K.B.
DRAWN BY: R.P.V. APPROVED BY: W.K.B.

HOR. SCALE: 1:250H
VERTICAL: N/A

RELEASED FOR CONSTRUCTION: _____
DATE: 10.02.08

ENGINEER'S SEAL
PROVINCE OF MANITOBA
W.K. BYCZEK
REGISTERED PROFESSIONAL ENGINEER
CONSULTANT DRAWING NO.
C-113

THE CITY OF WINNIPEG
PUBLIC WORKS DEPARTMENT
ENGINEERING DIVISION

2010 AT INFRASTRUCTURE STIMULUS PROGRAM
EUGENIE/DES MEURONS BIKEWAY
BIKEWAY ON EARTH EMBANKMENT
BETWEEN RUE DES MEURONS TO EGERTON ROAD

SHEET 14 OF 14
CAD FILE DRAWING NUMBER 05260c-110-xxx
CITY DRAWING NUMBER W-375-14