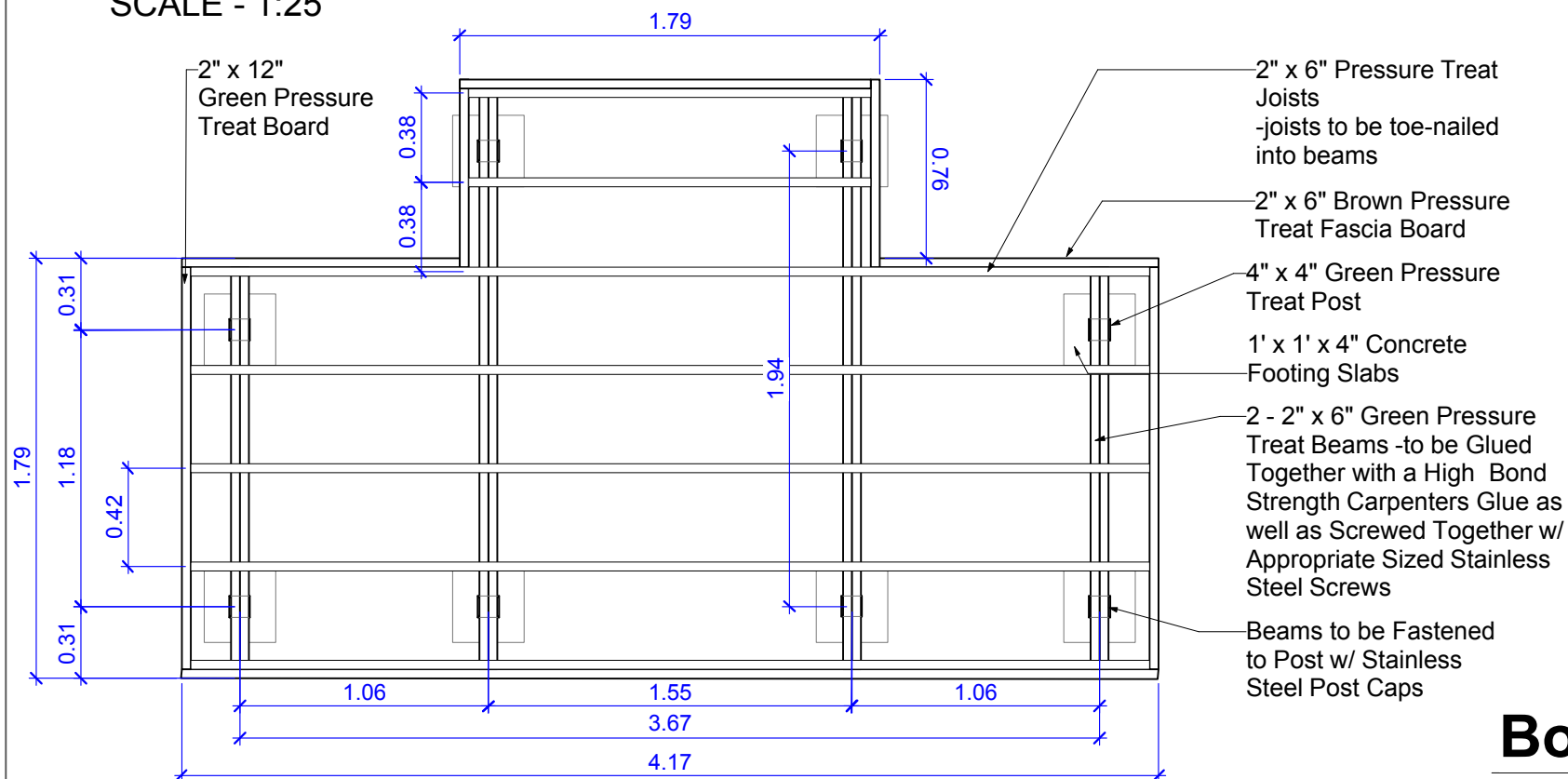


Site Section 'E' - Boardwalk and Dry Stream Detail

SCALE - 1:25

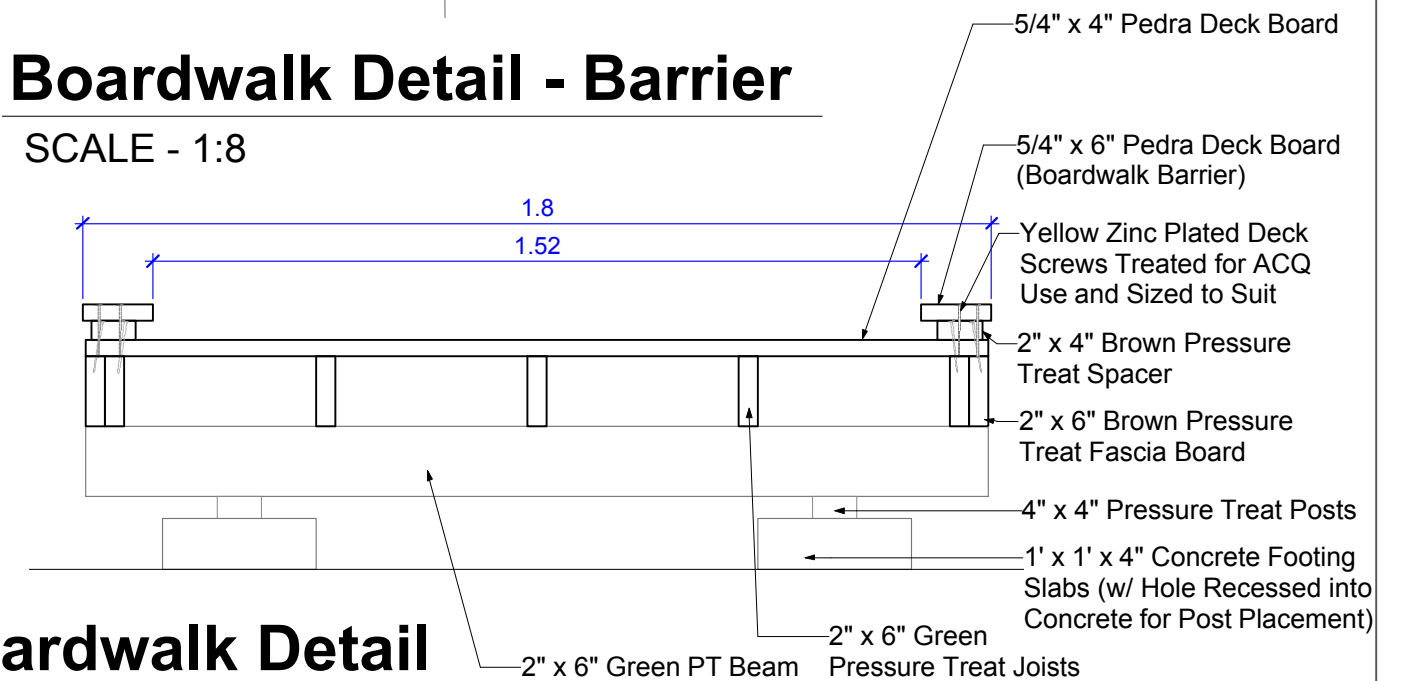


Structural Plan- Boardwalk

SCALE - 1:30

Boardwalk Detail - Barrier

SCALE - 1:8



Boardwalk Detail

SCALE - 1:15

CONTRACTOR TO CONFIRM ALL DIMENSIONS AND REPORT ANY DISCREPANCIES TO CONTRACT ADMINISTRATOR PRIOR TO CONSTRUCTION. LOCATION OF UNDERGROUND STRUCTURES AS SHOWN ARE BASED ON THE BEST INFORMATION AVAILABLE BUT NO GUARANTEE IS GIVEN THAT ALL EXISTING UTILITIES ARE SHOWN OR THAT THE GIVEN LOCATIONS ARE EXACT. CONFIRMATION OF EXISTENCE AND EXACT LOCATION OF ALL SERVICES MUST BE OBTAINED FROM THE INDIVIDUAL UTILITIES BEFORE PROCEEDING WITH CONSTRUCTION.



THE CITY OF WINNIPEG
Planning, Property and Development Department
Planning and Land Use Division
Unit 15 - 30 Fort Street, Winnipeg, MB, (R3C 4X5)

DESIGNED BY IL

CHECKED BY

DRAWN BY IL

APPROVED BY

HORIZ. SCALE As Indicated

VERT. SCALE

DATE Mar. 10

MANAGER,
PARK AND OPEN SPACES

DATE

MANAGER,
PLANNING AND LAND USE DIVISION

DATE

DRAWING TITLE

BROADWAY NEIGHBORHOOD CENTRE

Nature Grounds Development

Boardwalk Details

SITE ADDRESS 185 YOUNG STREET

DRAWING NO.

B.22-G6-R1

BID OPPORTUNITY NO.
434-2010