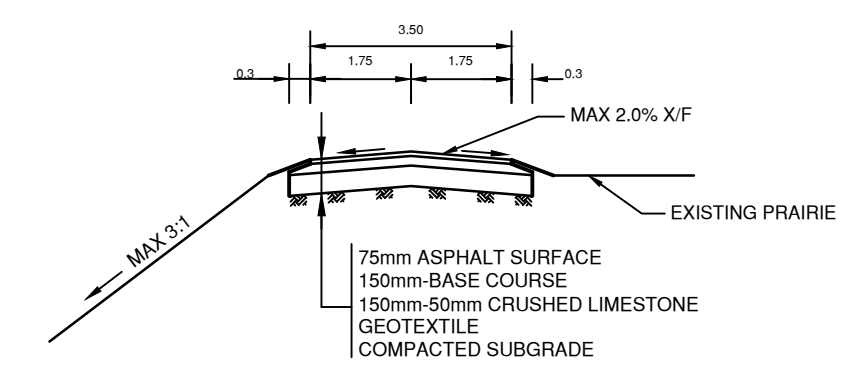
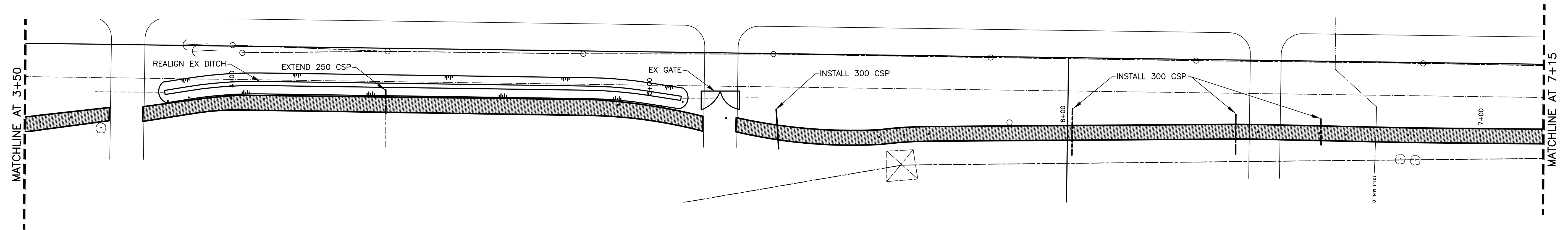
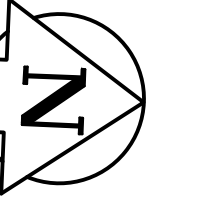


NOTES:

1. LOCATION OF PATHWAY, DITCHES, BOULEVARD, AND CULVERTS TO BE FINALIZED IN THE FIELD BY CONTRACT ADMINISTRATOR
2. CONTRACTOR TO TAKE PRECAUTIONARY STEPS TO AVOID DAMAGE FROM CONSTRUCTION ACTIVITIES TO TREES WITHIN THE LIMITS OF CONSTRUCTION
3. REGRADEING OF EXISTING DITCHES TO BE DIRECTED BY CONTRACT ADMINISTRATOR
4. RENEWAL OF EXISTING APPROACHES, PAVEMENT, CURBS, SIDEWALKS, CULVERTS, DITCHES AND BOULEVARD TO BE DIRECTED BY CONTRACT ADMINISTRATOR

CHAINAGE ALONG
CENTER OF PATH
LAGIMODIERE BLVD



METRIC
WHOLE NUMBERS INDICATE MILLIMETRES
DECIMALIZED NUMBERS INDICATE METRES

APEGM
Certificate of Authorization
Genivar Consultants Limited Partnership
No. 4388 Expiry April 30, 2011

WATERMAIN	HYDRANT	VALVE	LAND DRAINAGE SEWER	WASTE WATER SEWER	MANHOLE	CATCH BASIN	CURB INLET	TRAFFIC SIGNAL	STEAM HT.	GAS	EXISTING	LEGEND - PLAN	PROPOSED	EXISTING	LEGEND - PLAN	PROPOSED	HYDRO	M.T.S.	CONCRETE	ASPHALT	PROPERTY LINE	SURVEY BAR	CURB STOP	C.B. LEAD	SIDEWALK RAMP	ELEVATIONS	32.55	32.55	CENTER LINE	NORTH GUTTER LINE	SOUTH GUTTER LINE	WATERMAIN	VALVE	LAND DRAINAGE SEWER	WASTE WATER SEWER	JUNCTIONS	CULVERT	ASPH./CONC. PAD	GARAGE PAD	EXISTING	LEGEND - PROFILE	PROPOSED
-----------	---------	-------	---------------------	-------------------	---------	-------------	------------	----------------	-----------	-----	----------	---------------	----------	----------	---------------	----------	-------	--------	----------	---------	---------------	------------	-----------	-----------	---------------	------------	-------	-------	-------------	-------------------	-------------------	-----------	-------	---------------------	-------------------	-----------	---------	-----------------	------------	----------	------------------	----------

LOCATION APPROVED			
SUPV. U/G STRUCTURES	DATE	COMMITTEE	
NOTE: LOCATION OF UNDERGROUND STRUCTURES AS SHOWN ARE BASED ON THE BEST INFORMATION AVAILABLE BUT NO GUARANTEE IS GIVEN THAT ALL EXISTING UTILITIES ARE SHOWN OR THAT THE GIVEN LOCATIONS ARE EXACT. CONFIRMATION OF EXISTENCE AND EXACT LOCATION OF ALL SERVICES MUST BE OBTAINED FROM THE INDIVIDUAL UTILITIES BEFORE PROCEEDING WITH CONSTRUCTION.			
NO.	REVISIONS	DATE	BY

GENIVAR
10 PRAIRIE WAY WINNIPEG, MANITOBA R2J 3J8
PH: (204)-477-8650 FAX: (204)-474-2864

DESIGNED BY	MBS	CHECKED BY	SM
DRAWN BY	MBS	APPROVED BY	IMcK
HOR. SCALE:	1:500	RELEASED FOR CONSTRUCTION	
VERT. SCALE:	1:50	DATE	AUGUST 2010

ENGINEERS SEAL
PRINCE OF MANITOBA
I. G. MCKINNON
REGISTERED PROFESSIONAL ENGINEER

Winnipeg **THE CITY OF WINNIPEG**
PUBLIC WORKS DEPARTMENT

2010 ACTIVE TRANSPORTATION INFRASTRUCTURE STIMULUS PROGRAM LAGIMODIERE MULTI-USE PATH

FROM MATCHLINE AT STATION 3+50 TO MATCHLINE AT STATION 7+15

CITY DRAWING NO.	N/A
SHEET	10
TENDER NO.	544-2010