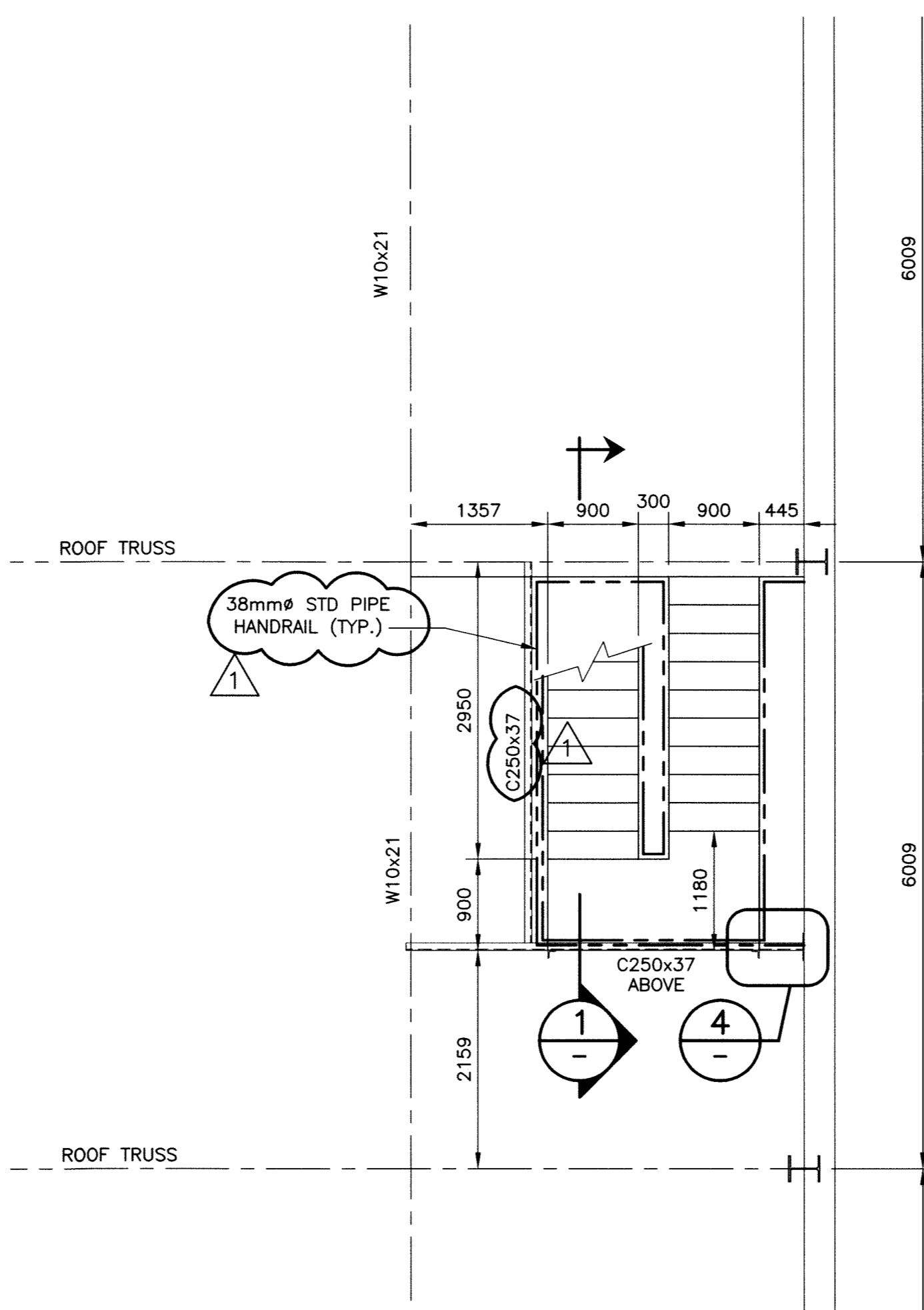
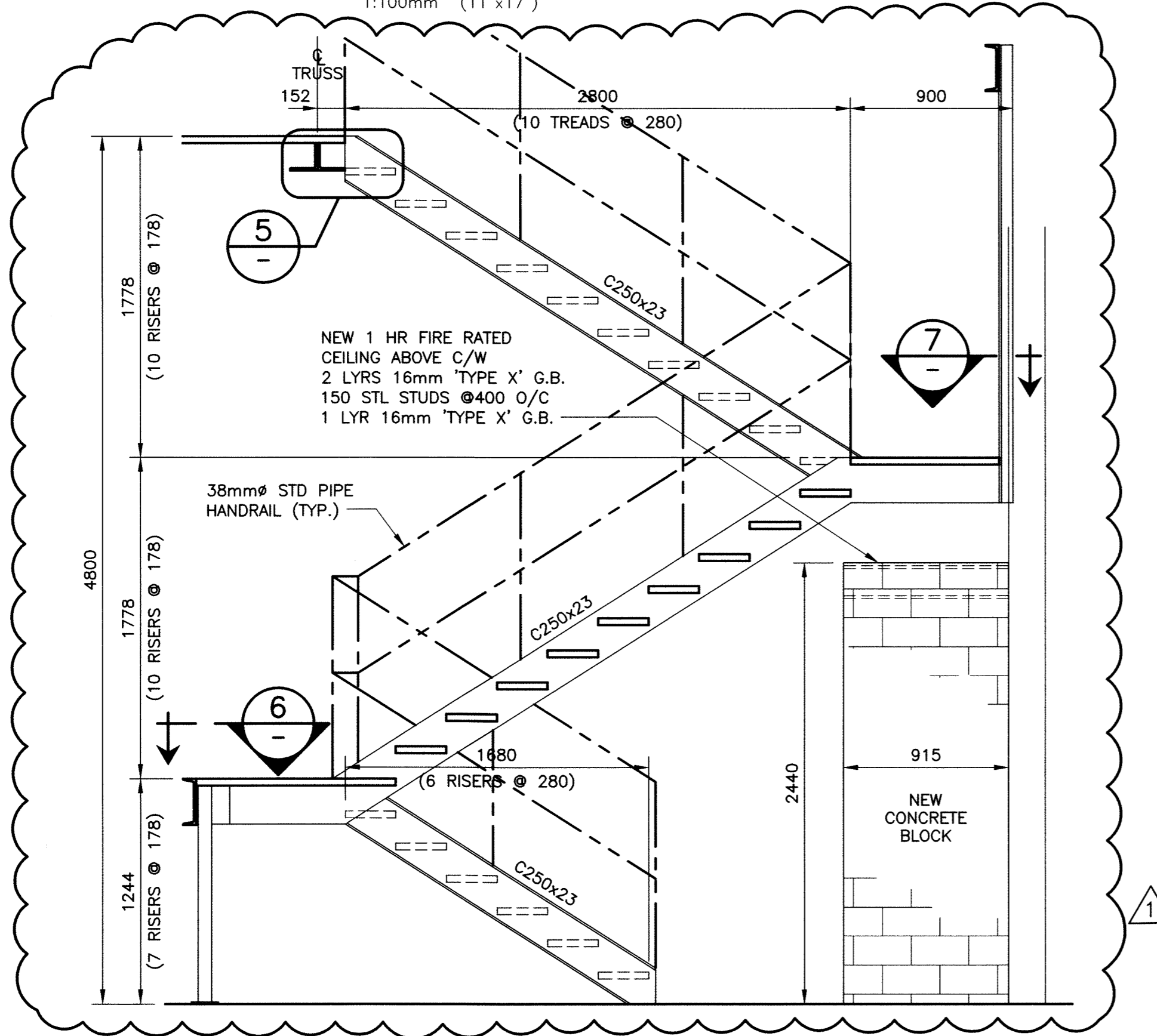


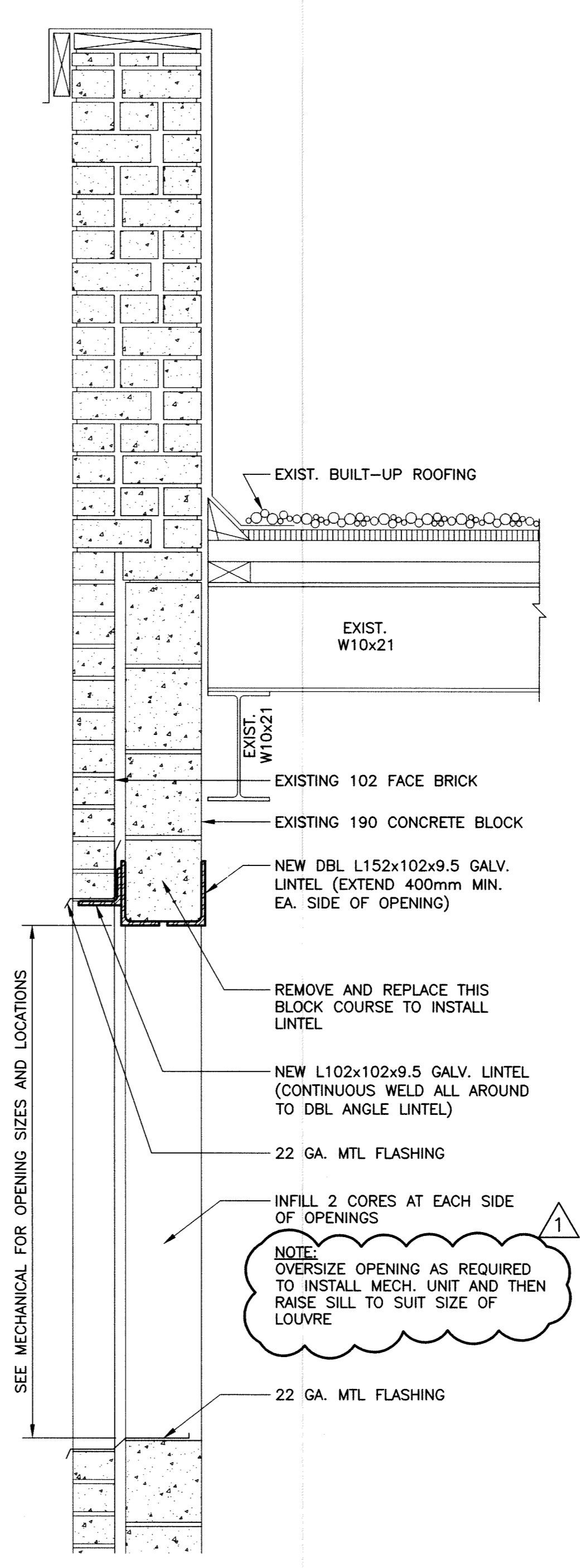
A PARTIAL MAIN FLOOR PLAN
SCALE: 1:50mm (24"x36")
1:100mm (11"x17")



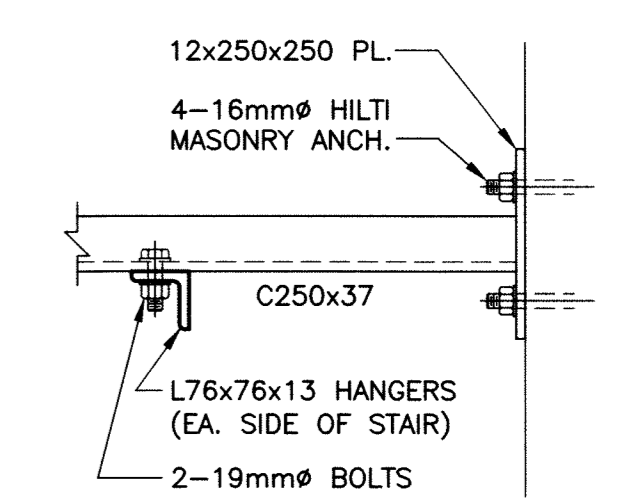
B PARTIAL CEILING SPACE PLAN
SCALE: 1:50mm (24"x36")
1:100mm (11"x17")



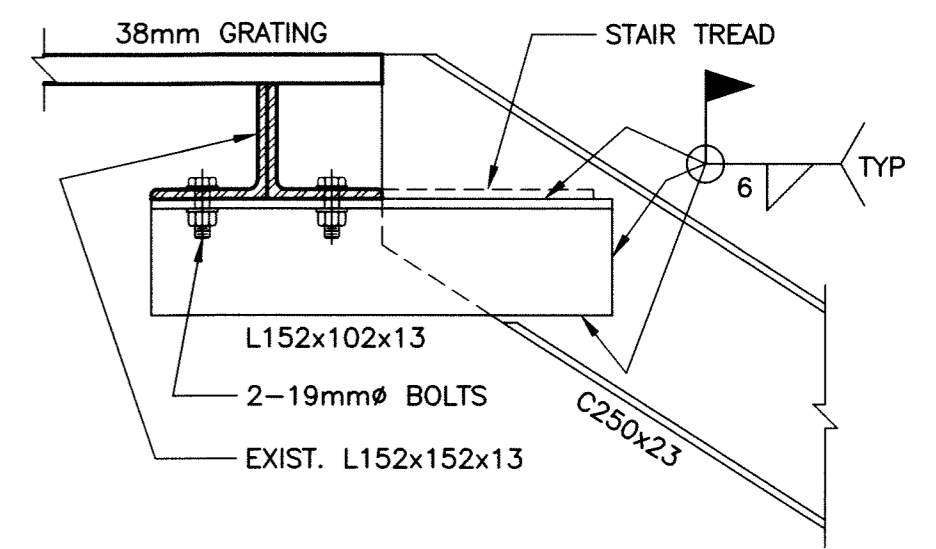
1 PARTIAL BUILDING SECTION
SCALE: 1:25mm (24"x36")
1:50mm (11"x17")



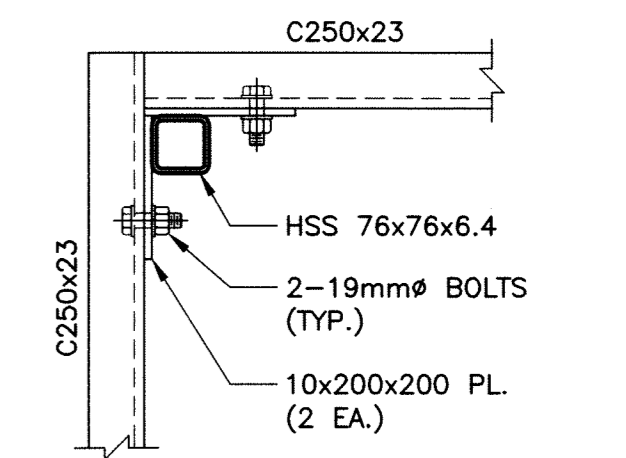
2 WALL OPENING - SECTION
SCALE: 1:10mm (24"x36")
1:20mm (11"x17")



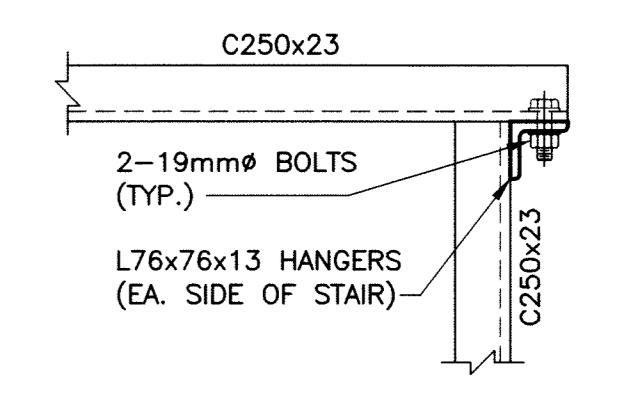
4 PLAN DETAIL
SCALE: 1:10mm (24"x36")
1:20mm (11"x17")



5 SECTION DETAIL
SCALE: 1:10mm (24"x36")
1:20mm (11"x17")



6 SECTION DETAIL
SCALE: 1:10mm (24"x36")
1:20mm (11"x17")



7 SECTION DETAIL
SCALE: 1:10mm (24"x36")
1:20mm (11"x17")

B.M. ELEV.		KGS GROUP	CONSULTING ENGINEERS & PROJECT MANAGERS	ENGINEER'S SEAL	THE ORIGINAL ISSUE REV. 0 WAS STAMPED, DATED AND SIGNED	BY R.J.LONG, P.ENG. ON 2010/01/21	PROJECT TITLE	SHEET OF
DESIGNED BY	RJL	CHECKED BY		FORT ROUGE LEISURE CENTRE HVAC UPGRADES - PHASE 1		COMPUTER FILE NAME	08-0107-09-P1-S3	
DRAWN BY	MB	APPROVED BY		PARTIAL PLANS, SECTION AND DETAILS		CITY DRAWING NUMBER		
HOR. SCALE:	AS SHOWN	RELEASED FOR CONSTRUCTION:		CONSULTANT DRAWING NO.				
VERTICAL:		DATE		P1-S3				
NO. REVISIONS	DATE	BY	DATE					