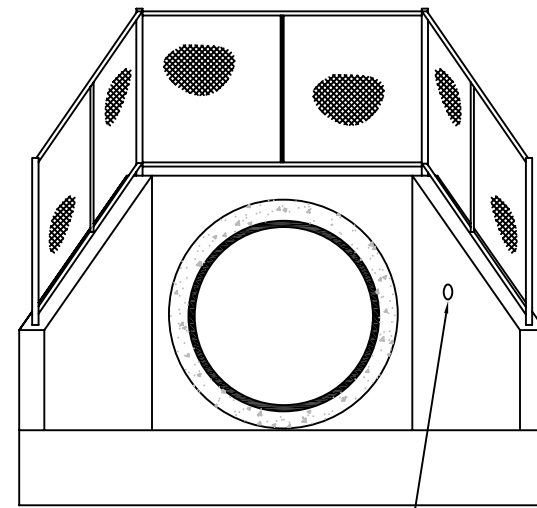
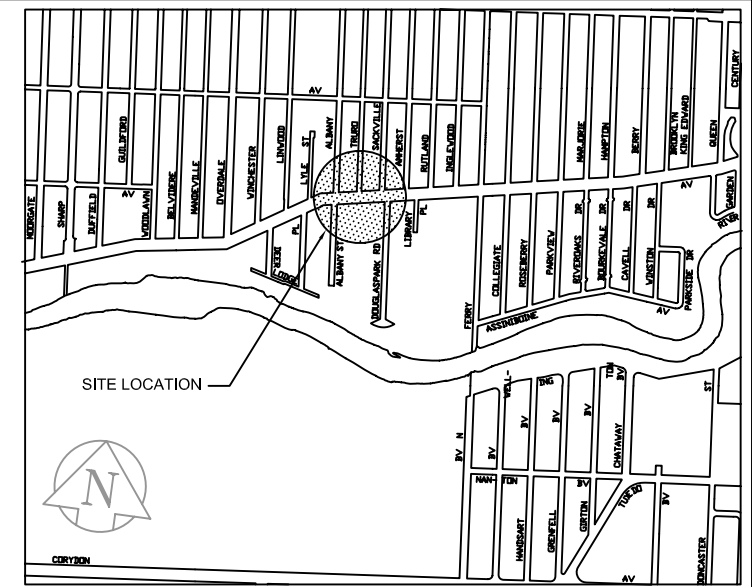


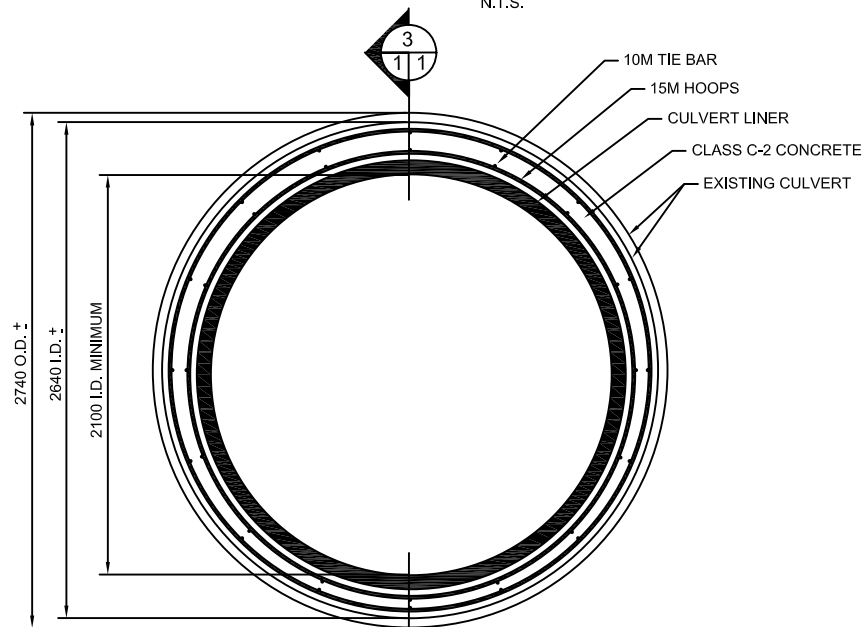
**WINGWALL & CULVERT ELEVATION**  
N.T.S.



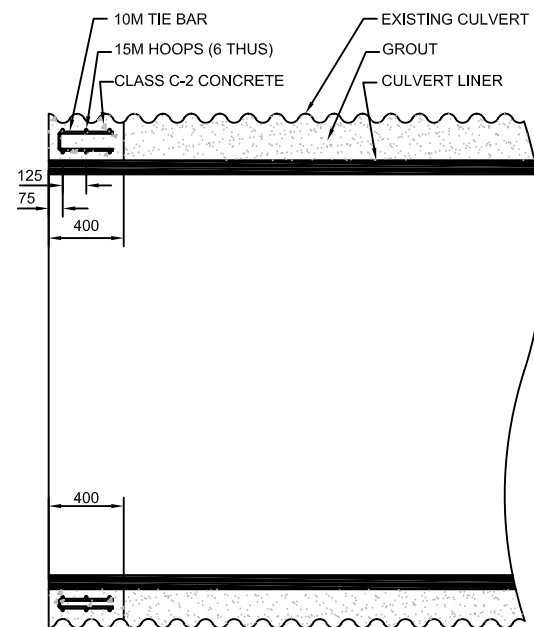
**END ELEVATION**  
N.T.S.



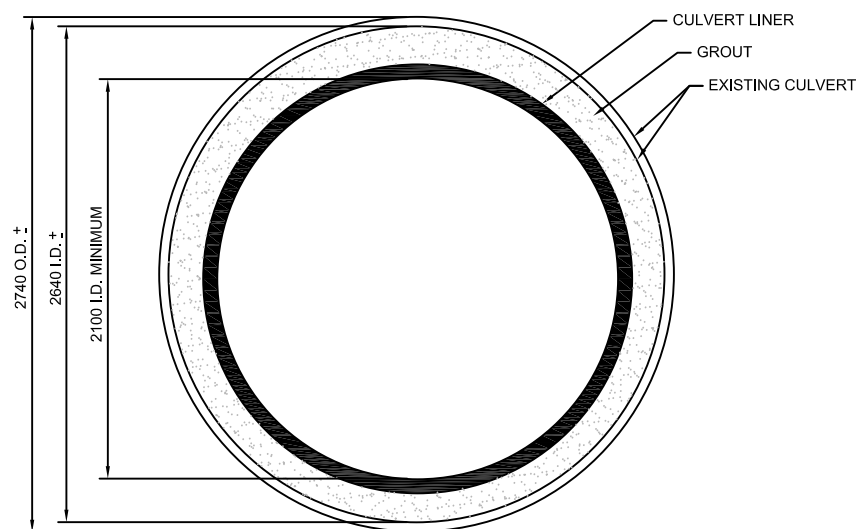
**LOCATION PLAN**



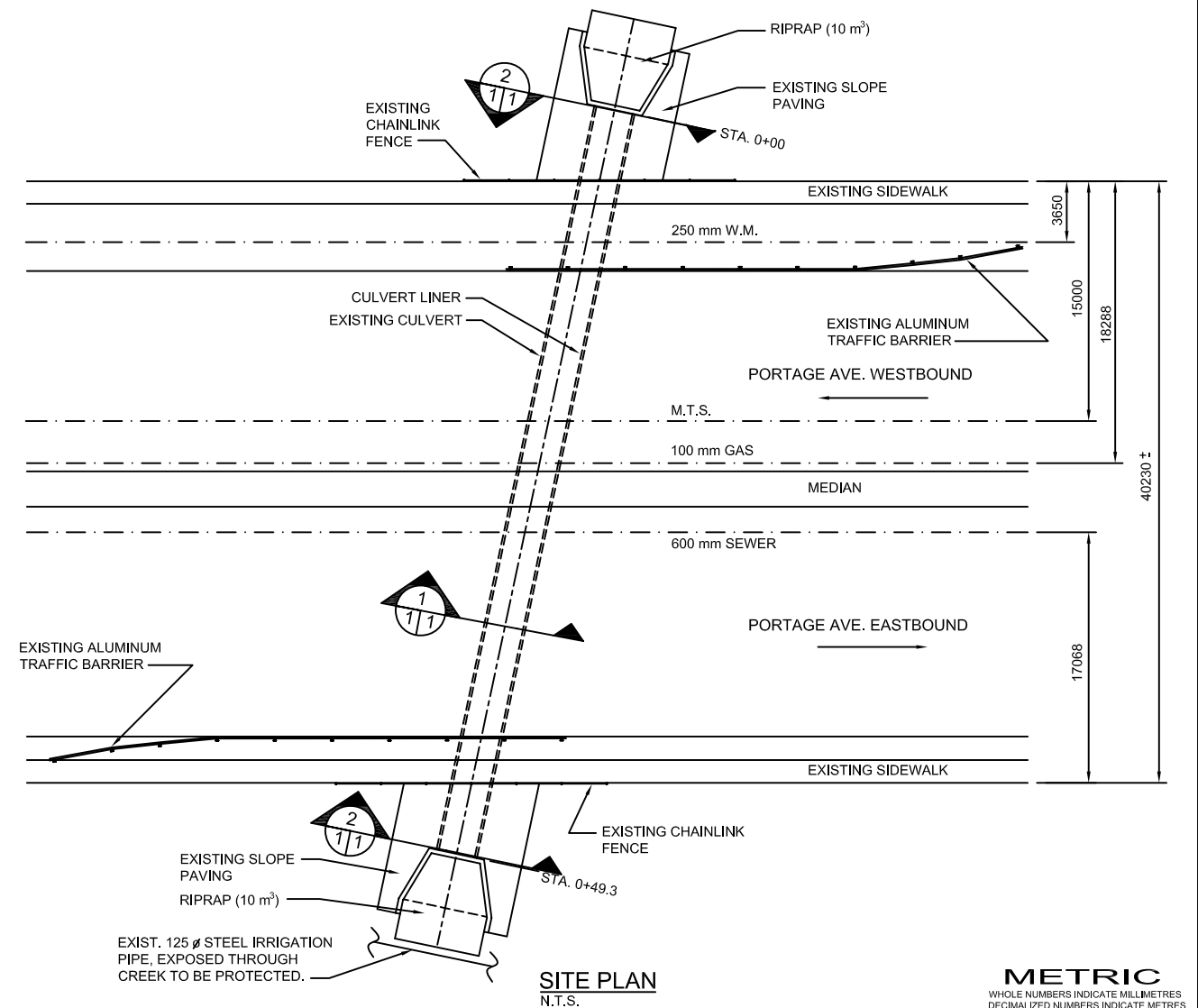
**SECTION 2**  
N.T.S.



**SECTION 3**  
N.T.S.



**SECTION 1**  
N.T.S.



**SITE PLAN**  
N.T.S.

**LOCATION APPROVED UNDERGROUND STRUCTURES**

SUPR. U/G STRUCTURES	DATE

NOTE:  
LOCATION OF UNDERGROUND STRUCTURES AS SHOWN ARE BASED ON THE BEST INFORMATION AVAILABLE BUT NO GUARANTEE IS GIVEN THAT THE GIVEN LOCATIONS ARE EXACT. CONFIRMATION OF EXISTENCE AND EXACT LOCATION OF ALL SERVICES MUST BE OBTAINED FROM THE INDIVIDUAL UTILITIES BEFORE PROCEEDING WITH CONSTRUCTION.

NO.	REVISION	DATE	BY
1	ISSUED FOR ADDENDUM	02/12/10	M.T.
0	ISSUED FOR TENDER	25/11/10	M.T.

DESIGNED BY:	D.N.B.
DRAWN BY:	M.R.T.
CHECKED BY:	D.N.B.
APPROVED BY:	D.N.B.
AUTHORIZED BY:	
ORIGINAL SIGNED BY:	D.N. BURMEY
	D.N. BURMEY
	BRIDGE MAINTENANCE ENGINEER

ENGINEER'S SEAL

BID OPPORTUNITY NO.: 882-2010

**CITY OF WINNIPEG**  
PUBLIC WORKS DEPARTMENT  
ENGINEERING DIVISION

PORTAGE AVENUE AT TRURO CREEK  
CULVERT RELINING

PLANS, ELEVATIONS & SECTIONS

SHEET 1 OF 2  
HORIZONTAL: N.T.S.  
VERTICAL: N.T.S.  
CITY DRAWING NUMBER:  
C307-10-01

**METRIC**  
WHOLE NUMBERS INDICATE MILLIMETRES  
DECIMALIZED NUMBERS INDICATE METRES