

| ROOM FINISH SCHEDULE | | | | | | | | | | | | | | | |
|----------------------|----------------------------|----------|--------|----------|--------|-------|--------|------|--------|----------|--------|---------|----------|-------------------------------------|--|
| ROOM NUMBER | ROOM NAME | FLOOR | | BASE | | WALLS | | | | CEILING | | REMARKS | | | |
| | | MATERIAL | FINISH | MATERIAL | FINISH | NORTH | SOUTH | EAST | WEST | MATERIAL | FINISH | | HEIGHT | | |
| 100 | VESTIBULE | CONC | CT-1 | --- | CT-1 | CB | FT-1 | CB | FT-1 | CB | FT-1 | CB | PT-2 | --- | --- |
| 101 | FOYER | CONC | CT-1 | --- | CT-1 | CB | FT-1 | CB | FT-1 | CB | FT-1 | CB | PT-8 | UP / GB | 3000 BULKHEAD PT-2 (3000) |
| 102 | HC UR | CONC | CT-1 | --- | CT-1 | CB | FT-1/2 | CB | FT-1/2 | CB | FT-1/2 | CB | PT-1 | ACT | 3000 |
| 103 | CAPTAIN'S OFFICE | CONC | ASC | --- | RUB2 | CB | FT-1 | CB | FT-8 | CB | FT-1 | CB | PT-1 | ACT | 3000 |
| 104 | ELECTRICAL ROOM | CONC | SC | --- | --- | CB | FT-1 | CB | FT-1 | CB | FT-1 | CB | PT-1 | EXP | --- |
| 105 | MECHANICAL ROOM | CONC | SC | --- | --- | CB | FT-1 | CB | FT-1 | CB | FT-1 | CB | PT-1 | EXP | --- |
| 106 | ENS CORRIDOR | CONC | CT-1 | --- | CT-1 | CB | FT-1 | CB | FT-1 | CB | FT-1 | CB | PT-1 | MESH / GB | 3000 BULKHEAD PT-2 (3000) |
| 107 | STATION OFFICER / DISPATCH | CONC | ASC | --- | RUB2 | CB | FT-6 | CB | FT-1 | CB | FT-1 | CB | PT-6 | ACT / GB | 3000 BULKHEAD PT-2 (3000) |
| 108 | COMPUTER STUDY | CONC | ASC | --- | RUB2 | CB | FT-8 | CB | FT-1 | CB | FT-1 | CB | PT-1 | ACT / GB | 3000 BULKHEAD PT-2 (3000) |
| 109 | CORRIDOR | CONC | CT-1 | --- | CT-1 | CB | FT-1 | CB | FT-1 | CB | FT-1 | CB | PT-1 | MESH | 3000 |
| 110 | JANITOR ROOM | CONC | SC | --- | --- | CB | FT-1 | CB | FT-1 | CB | FT-1 | CB | PT-1 | EXP | --- |
| 111 | MEN'S WASHROOM | CONC | CT-1 | --- | CT-1 | CB | FT-1 | CB | FT-1 | CB | FT-1 | CB | ACT / GB | --- | 3000 BULKHEAD PT-2 (3000) PT-6 ON SOUTH B.B WALL |
| 111A | MEN'S SHOWER | CONC | CT-1 | --- | CT-1 | CB | FT-1/2 | CB | FT-1/2 | CB | FT-1/2 | CB | CT-2 | ON FLOOR OF INDIVIDUAL SHOWER STALL | --- |
| 112 | RESERVED | --- | --- | --- | --- | --- | --- | --- | --- | --- | --- | --- | --- | --- | --- |
| 113 | RESERVED | --- | --- | --- | --- | --- | --- | --- | --- | --- | --- | --- | --- | --- | --- |
| 114 | WOMEN'S WASHROOM | CONC | CT-1 | --- | CT-1 | CB | FT-1/2 | CB | FT-1/2 | CB | FT-1/2 | CB | ACT / GB | --- | 3000 BULKHEAD PT-2 (3000) PT-1 ON SOUTH B.B WALL |
| 114A | WOMEN'S SHOWER | CONC | CT-1 | --- | CT-1 | CB | FT-1/2 | CB | FT-1/2 | CB | FT-1/2 | CB | CT-2 | ON FLOOR OF INDIVIDUAL SHOWER STALL | --- |
| 115 | LOUNGE / DAY ROOM | CONC | ASC | --- | RUB2 | CB | FT-1 | CB | FT-8 | CB | FT-1 | CB | PT-1 | ACT / GB | 3000 BULKHEAD PT-2 (3000) |
| 116 | KITCHEN | CONC | CT-1 | --- | CT-1 | CB | FT-1 | CB | FT-1 | CB | FT-1 | CB | PT-1 | ACT / GB | 3000 BULKHEAD PT-2 (3000) |
| 117 | CORRIDOR | CONC | CT-1 | --- | CT-1 | CB | FT-1 | CB | FT-1 | CB | FT-1 | CB | PT-1 | MESH | 3000 |
| 118 | DORM # | CONC | ASC | --- | RUB2 | CB | FT-8 | CB | FT-1 | CB | FT-1 | CB | PT-1 | ACT | 3000 |
| 119 | DORM #2 | CONC | ASC | --- | RUB2 | CB | FT-1 | CB | FT-8 | CB | FT-1 | CB | PT-1 | ACT | 3000 |
| 120 | DORM #3 | CONC | ASC | --- | RUB2 | CB | FT-8 | CB | FT-1 | CB | FT-1 | CB | PT-1 | ACT | 3000 |
| 121 | DORM #4 | CONC | ASC | --- | RUB2 | CB | FT-1 | CB | FT-8 | CB | FT-1 | CB | PT-1 | ACT | 3000 |
| 122 | DORM #5 | CONC | ASC | --- | RUB2 | CB | FT-8 | CB | FT-1 | CB | FT-1 | CB | PT-1 | ACT | 3000 |
| 123 | DORM #6 | CONC | ASC | --- | RUB2 | CB | FT-1 | CB | FT-8 | CB | FT-1 | CB | PT-1 | ACT | 3000 |
| 124 | APPARATUS FLOOR | CONC | HD&C | --- | --- | CB | FT-1 | CB | FT-1 | CB | FT-1 | CB | PT-1 | EXP | PT-8 ON WEST WALL RECESSES |
| 125 | EXERCISE ROOM | CONC | RUB | --- | --- | CB | FT-8 | CB | FT-1 | CB | FT-1 | CB | PT-1 | EXP | --- |
| 126 | MAINTENANCE SHOP | CONC | HD&C | --- | --- | CB | FT-1 | CB | FT-1 | CB | FT-1 | CB | PT-1 | EXP | --- |
| 127 | TURN-OUT ROOM | CONC | HD&C | --- | --- | CB | FT-8 | CB | FT-1 | CB | FT-1 | CB | PT-8 | EXP | --- |

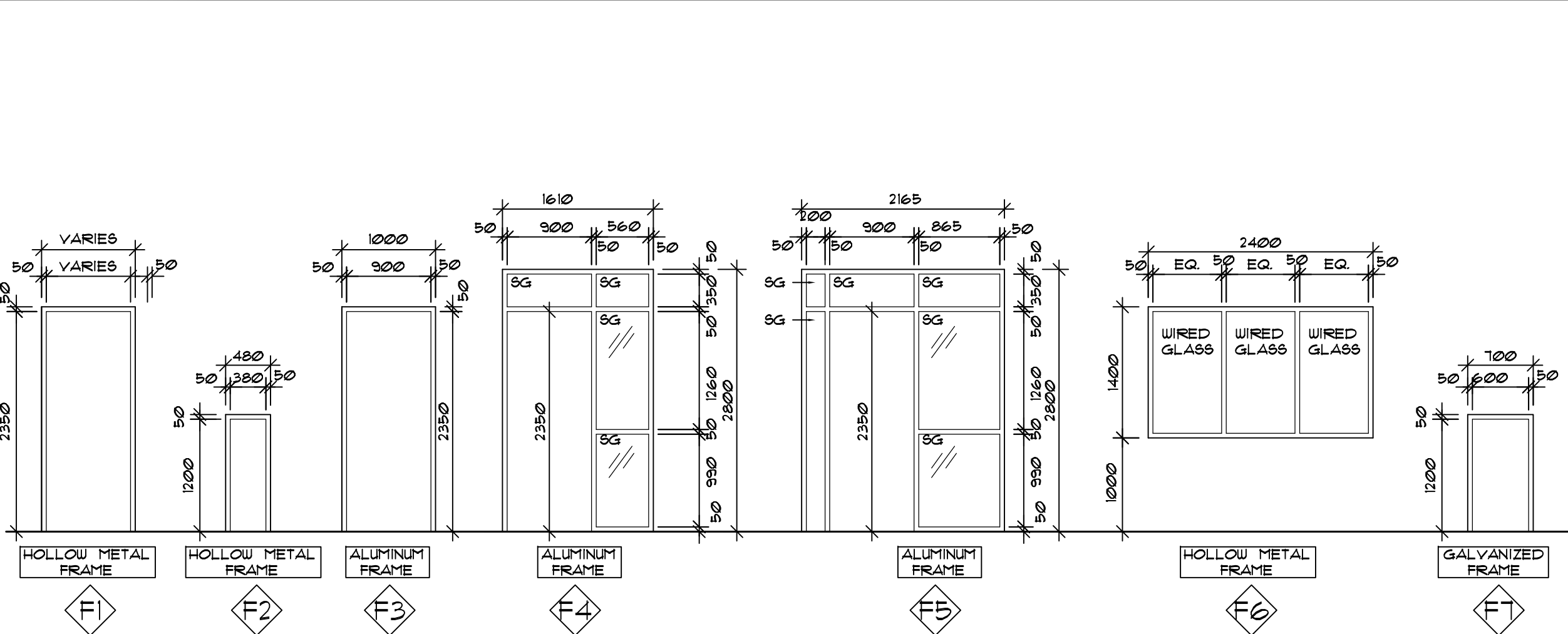
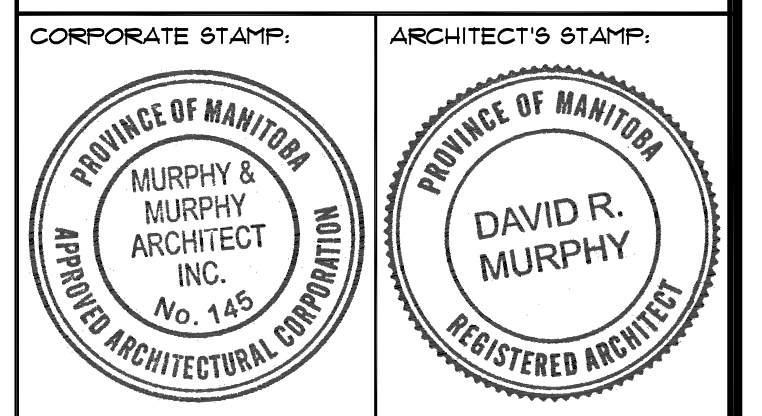
ROOM FINISH AND DOOR SCHEDULE ABBREVIATION LEGEND:

| | | | | | |
|------|--|------|---|-------|---|
| ACT | SUSPENDED ACOUSTIC TILE | GL2A | TYPICAL THERMAL INSULATING GLASS UNIT TRIPLE GLAZED (CLEAR) LOWER NORTH AND EAST EXPOSURE | RUB | RUBBER FLOOR (MONDO ENDURANCE TILE) |
| ACT2 | MOISTURE RESISTANT ACOUSTIC CEILING TILE | GL2B | TYPICAL THERMAL INSULATING GLASS UNIT TRIPLE GLAZED (CLEAR) LOWER SOUTH AND WEST EXPOSURE | RUB2 | 100 mm HIGH RUBBER BASE |
| AL | ALUMINUM | GL3 | TYPICAL THERMAL INSULATING GLASS UNIT TRIPLE GLAZED (CLEAR) LOWER SOUTH AND WEST EXPOSURE | SC | SEALED CONCRETE - LIGHT GREY |
| ASC | ACID STAINED CONCRETE - COLOUR: BLACKFOOT | GL3 | SPANDREL DARK GREEN SINGLE GLAZED UNIT TYPE 3 | UCT-1 | CERAMIC WALL TILE - ARKITECK - WHITE FIELD |
| CB | CONCRETE BLOCK | GL3 | HEAVY DUTY SEALED CONCRETE | UCT-2 | CERAMIC WALL TILE - ARKITECK - BLACK ACCENT |
| CT-1 | CENTURA FLOOR TILE SLATE SERIES - DARK GREY FIELD | GL3 | HEAVY DUTY SEALED CONCRETE | UCT-3 | CERAMIC WALL TILE - VITRA - WHITE FIELD |
| CT-2 | CENTURA FLOOR TILE - FIELD - VITRA - GREY FIELD | HM | HOLLOW METAL | UCT-4 | CERAMIC WALL TILE - VITRA - GREY ACCENT |
| CBRD | CEMENT BOARD | PL-1 | AVONITE SOLID SURFACE - BRONZE FI-1030 | UG | WIRED GLASS |
| CONC | POURED CONCRETE | PL-3 | WILSON ART PRODUCTS #1054-60 WILD CHERRY | UP | WOOD PANEL |
| EXP | EXPOSED | PL-4 | FORMICA 501 FOLKSTONE GRAFIX - (W/R COUNTER WINDOW SILLS) | | |
| SG | SAFETY GLASS | PT-1 | PAINT (CONCRETE BLOCK) - LIGHT GREY | | |
| GB | GYP&M BOARD | PT-2 | PAINT (DRYWALL BULKHEAD) - BEIGE | | |
| GHM | GALVANIZED HOLLOW METAL | PT-3 | DRYFALLPAINT (APPARATUS CEILING) - WHITE | | |
| GL1A | TYPICAL THERMAL INSULATING GLASS UNIT TRIPLE GLAZED (TINTED) UPPER NORTH AND EAST EXPOSURE | PT-4 | PAINT (DOORS) - LIGHT GREY | | |
| GL1B | TYPICAL THERMAL INSULATING GLASS UNIT TRIPLE GLAZED (TINTED) UPPER SOUTH AND WEST EXPOSURE | PT-5 | PAINT (DOOR FRAMES) - DARK GREY | | |
| | | PT-6 | ACCENT COLOUR - BLUE | | |
| | | PT-7 | ACCENT COLOUR - RED | | |
| | | PT-8 | ACCENT COLOUR - YELLOW | | |

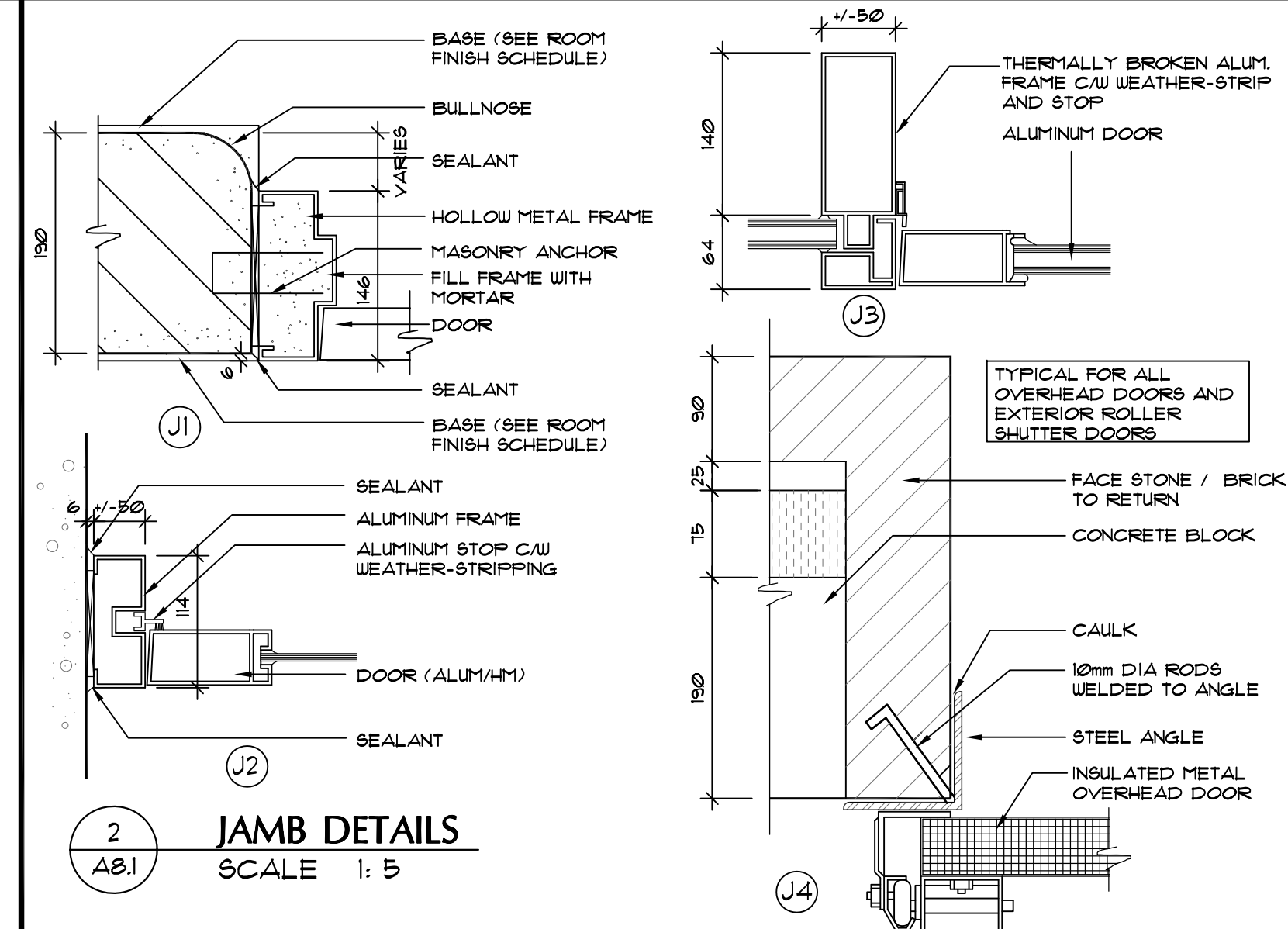
| DOOR AND DOOR FRAME SCHEDULE | | | | | | | | | | | | | | | |
|------------------------------|------|-------|--------|-----------|----------|--------|-------|------|---------|------|----------|---------|------|----------------|---------------------------------|
| DOOR NUMBER | TYPE | DOOR | | | FRAME | | | | REMARKS | | | | | | |
| | | SIZE | | | MATERIAL | FINISH | GLASS | | | TYPE | MATERIAL | FINISH | JAMB | WALL THICKNESS | FIRE RATING |
| | | WIDTH | HEIGHT | THICKNESS | | | TYPE | SIZE | | | | | | | |
| 100-1 | E1 | 900 | 2350 | 51 | AL | AL | SG | --- | U3 | AL | AL | J2 / J3 | --- | --- | INSULCLAD DOOR (MATCH GLI TINT) |
| 100-2 | E2 | 900 | 2350 | 45 | AL | AL | SG | --- | F1 | AL | AL | J2 / J3 | --- | --- | --- |
| 101-1 | F | 600 | 1200 | 45 | GHM | FT-4 | --- | --- | F1 | GHM | PT-5 | J1 | --- | --- | --- |
| 102-1 | D | 900 | 2350 | 45 | SCW | FL-3 | --- | --- | F1 | HM | PT-5 | J1 | --- | --- | --- |
| 102-2 | C | 300 | 1200 | 45 | HM | FT-4 | --- | --- | F2 | HM | PT-5 | J1 | --- | --- | --- |
| 103-1 | D | 900 | 2350 | 45 | SCW | FL-3 | --- | --- | F1 | HM | PT-5 | J1 | --- | --- | 15 HR |
| 105-1 | A | 1000 | 2350 | 45 | HM | FT-4 | --- | --- | F1 | HM | PT-5 | J1 | --- | --- | 3/4 HR |
| 106-1 | B | 900 | 2350 | 45 | GHM | FT-4 | U&G | --- | F1 | GHM | PT-5 | J1 | --- | --- | 15 HR |
| 107-1 | E2 | 900 | 2350 | 45 | AL | AL | SG | --- | F4 | AL | AL | J2 / J3 | --- | --- | SANDBLASTING PATTERN |
| 108-1 | E2 | 900 | 2350 | 45 | AL | AL | SG | --- | F4 | AL | AL | J2 / J3 | --- | --- | SANDBLASTING PATTERN |
| 109-1 | E2 | 900 | 2350 | 45 | AL | AL | SG | --- | F4 | AL | AL | J2 / J3 | --- | --- | SANDBLASTING PATTERN |
| 110-1 | A | 900 | 2350 | 45 | HM | FT-4 | --- | --- | F1 | HM | PT-5 | J1 | --- | --- | 3/4 HR |
| 111-1 | D | 900 | 2350 | 45 | SCW | FL-3 | --- | --- | F1 | HM | PT-5 | J1 | --- | --- | --- |
| 111-2 | C | 300 | 1200 | 45 | HM | FT-4 | --- | --- | F2 | HM | PT-5 | J1 | --- | --- | --- |
| 111-3 | --- | --- | --- | --- | --- | --- | --- | --- | --- | --- | --- | --- | --- | --- | GLASS DOOR - REFER TO SPEC |
| 111-4 | --- | --- | --- | --- | --- | --- | --- | --- | --- | --- | --- | --- | --- | --- | GLASS DOOR - REFER TO SPEC |
| 111-5 | --- | --- | --- | --- | --- | --- | --- | --- | --- | --- | --- | --- | --- | --- | GLASS DOOR - REFER TO SPEC |
| 114-1 | D | 900 | 2350 | 45 | SCW | FL-3 | --- | --- | F1 | HM | PT-5 | J1 | --- | --- | --- |
| 114-2 | C | 300 | 1200 | 45 | HM | FT-4 | --- | --- | F2 | HM | PT-5 | J1 | --- | --- | --- |
| 114-3 | --- | --- | --- | --- | --- | --- | --- | --- | --- | --- | --- | --- | --- | --- | GLASS DOOR - REFER TO SPEC |
| 114-4 | --- | --- | --- | --- | --- | --- | --- | --- | --- | --- | --- | --- | --- | --- | GLASS DOOR - REFER TO SPEC |
| 114-5 | --- | --- | --- | --- | --- | --- | --- | --- | --- | --- | --- | --- | --- | --- | GLASS DOOR - REFER TO SPEC |
| 114-6 | F | 600 | 1200 | 45 | GHM | FT-4 | --- | --- | F1 | GHM | PT-5 | J1 | --- | --- | --- |
| 115-1 | E1 | 900 | 2350 | 51 | AL | AL | SG | --- | U4 | AL | AL | J2 / J3 | --- | --- | INSULCLAD DOOR (MATCH GLI TINT) |
| 116-1 | B | 900 | 2350 | 45 | GHM | FT-4 | U&G | --- | F1 | GHM | PT-5 | J1 | --- | --- | 15 HR |
| 117-1 | B | 900 | 2350 | 45 | GHM | FT-4 | U&G | --- | F1 | GHM | PT-5 | J1 | --- | --- | 15 HR |
| 118-1 | D | 900 | 2350 | 45 | SCW | FL-3 | --- | --- | F1 | HM | PT-5 | J1 | --- | --- | 15 HR |
| 119-1 | D | 900 | 2350 | 45 | SCW | FL-3 | --- | --- | F1 | HM | PT-5 | J1 | --- | --- | 15 HR |
| 120-1 | D | 900 | 2350 | 45 | SCW | FL-3 | --- | --- | F1 | HM | PT-5 | J1 | --- | --- | 15 HR |
| 121-1 | D | 900 | 2350 | 45 | SCW | FL-3 | --- | --- | F1 | HM | PT-5 | J1 | --- | --- | 15 HR |
| 122-1 | D | 900 | 2350 | 45 | SCW | FL-3 | --- | --- | F1 | HM | PT-5 | J1 | --- | --- | 15 HR |
| 123-1 | D | 900 | 2350 | 45 | SCW | FL-3 | --- | --- | F1 | HM | PT-5 | J1 | --- | --- | 15 HR |
| 124-1 | G | 4000 | 4550 | 50 | AL | AL | --- | --- | --- | AL | AL | J4 | --- | --- | --- |
| 124-2 | G | 4000 | 4550 | 50 | AL | AL | --- | --- | --- | AL | AL | J4 | --- | --- | --- |
| 124-3 | E1 | 900 | 2400 | 51 | AL | AL | SG | --- | U3 | AL | AL | J2 | --- | --- | INSULCLAD DOOR (MATCH GLI TINT) |
| 124-4 | E1 | 900 | 2400 | 51 | AL | AL | SG | --- | U3 | AL | AL | J2 | --- | --- | INSULCLAD DOOR (MATCH GLI TINT) |
| 124-5 | G | 4000 | 4550 | 50 | AL | AL | --- | --- | --- | AL | AL | J4 | --- | --- | --- |
| 124-6 | G | 4000 | 4550 | 50 | AL | AL | --- | --- | --- | AL | AL | J4 | --- | --- | --- |
| 124-7 | F | 600 | 1200 | 45 | GHM | FT-4 | --- | --- | F1 | GHM | PT-5 | J1 | --- | --- | --- |
| 124-8 | F | 600 | 1200 | 45 | GHM | FT-4 | --- | --- | F1 | GHM | PT-5 | J1 | --- | --- | --- |
| 125-1 | A | 1000 | 2350 | 45 | GHM | FT-4 | --- | --- | F1 | GHM | PT-5 | J1 | --- | --- | --- |
| 127-1 | B | 900 | 2350 | 45 | GHM | FT-4 | --- | --- | F1 | GHM | PT-5 | J1 | --- | --- | --- |

| ISSUES: | |
|---------|--|
| 1 | APRIL 2010 PHASE 1 - 70% COMPLETION |
| 2 | MAY 14, 2010 PHASE 2 - 80% COMPLETION |
| 3 | SEPT 15, 2010 PHASE 3 - BUILDING PERMIT PRELIMINARY REVIEW |
| 4 | SEPT 29, 2010 ISSUED FOR BUILDING PERMIT / TENDERS |
| 5 | JAN 26 2011 ISSUED FOR ADDENDUM 2 |

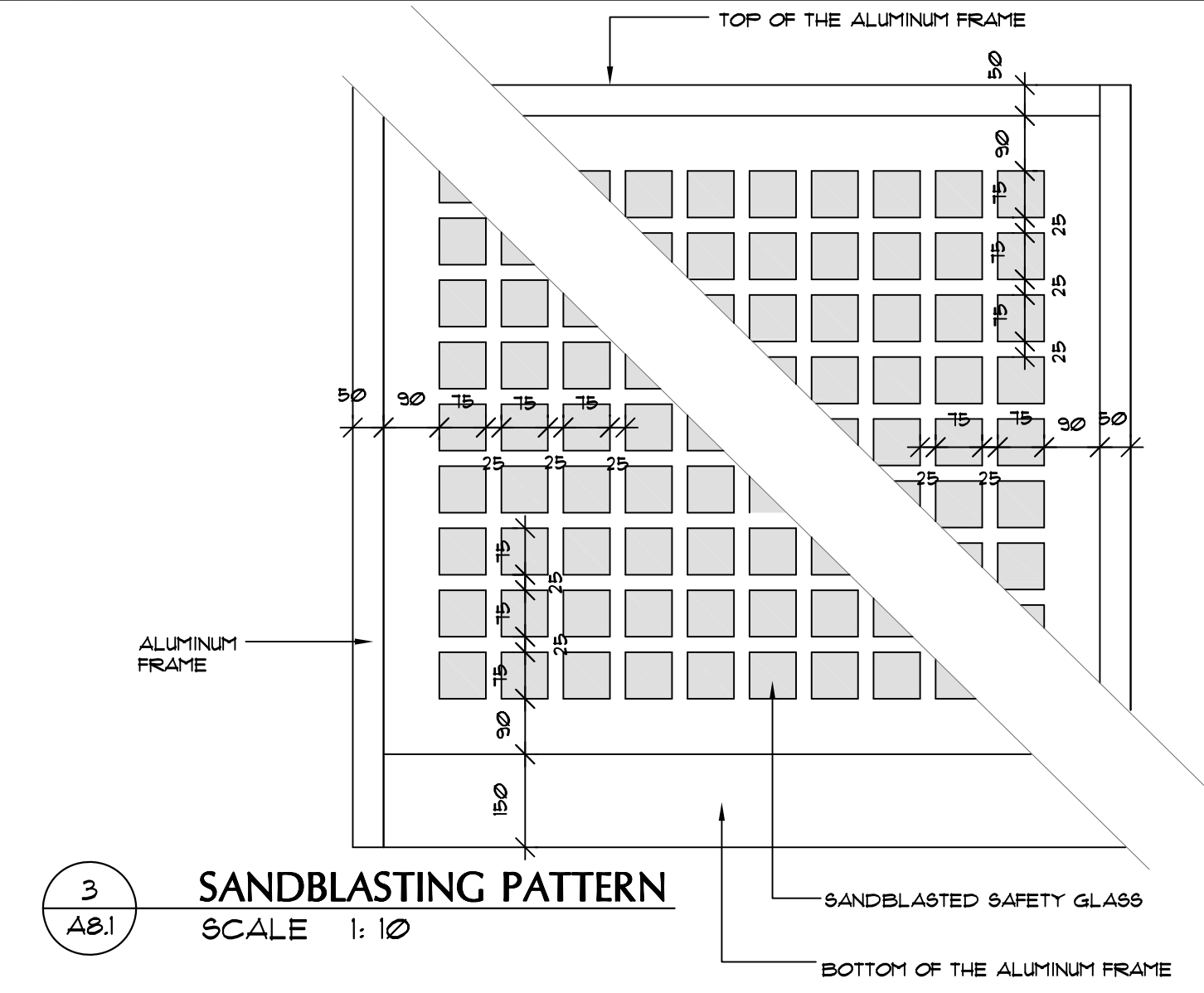
© COPYRIGHT MURPHY & MURPHY ARCHITECT 2010
NOT TO BE REPRODUCED WITHOUT CONSENT OF ARCHITECT.



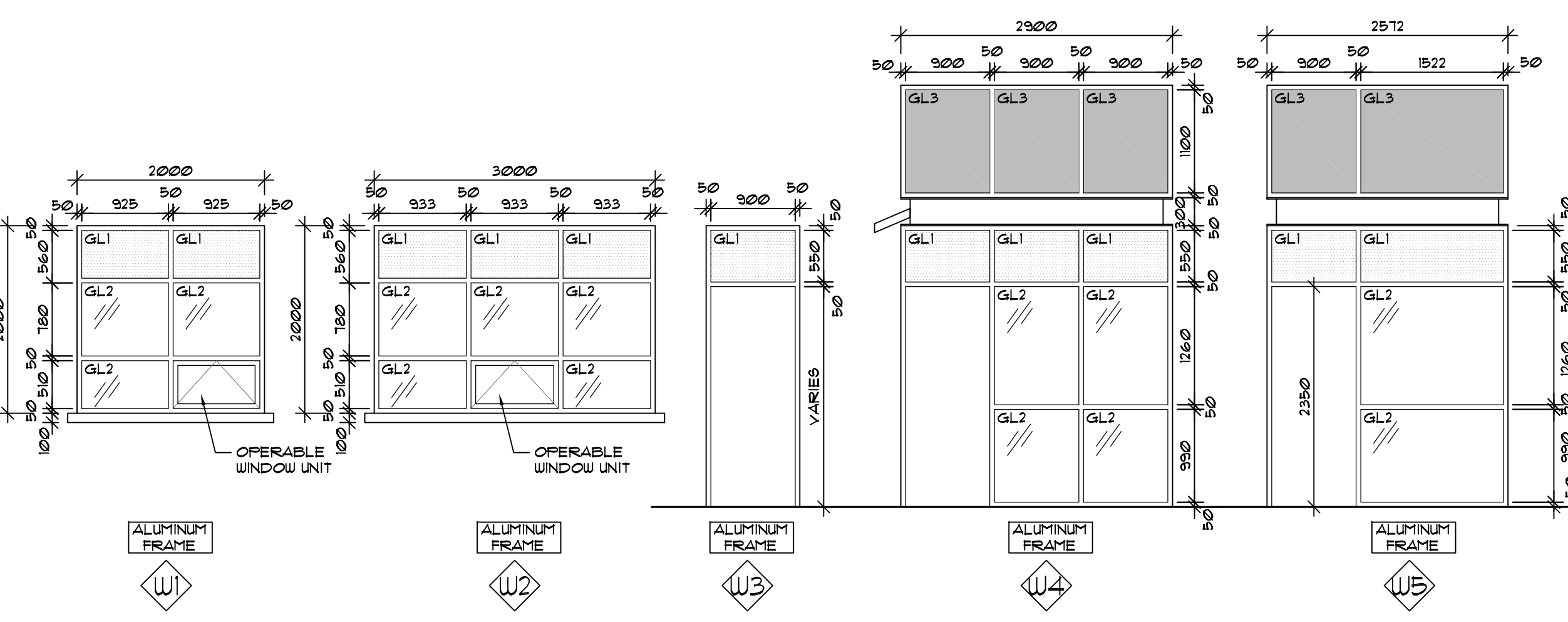
1 FRAME TYPES
SCALE 1: 50



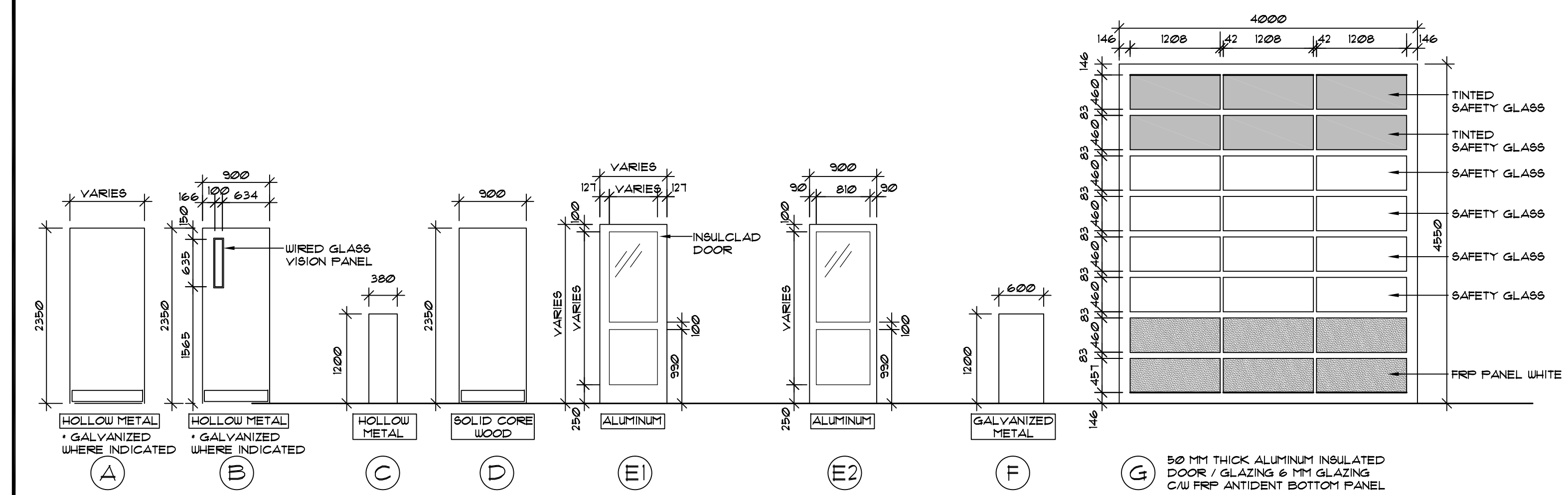
2 JAMB DETAILS
SCALE 1: 5



3 SANDBLASTING PATTERN
SCALE 1: 10



4 WINDOW TYPES
SCALE 1: 50



5 DOOR TYPES
SCALE 1: 50

NOTE: CONFIRM WINDOW LOCATION ACCORDING TO ELEVATIONS ON A8.1
GL1 INDICATION CAN BE 'GL1A OR GL1B' 'A' DESIGNATION IS APPLICABLE TO NORTH AND EAST EXPOSURE SITUATIONS WHILE 'B' DESIGNATION IS APPLICABLE TO SOUTH AND WEST EXPOSURE. ANALYSIS OF GL2 DESCRIPTION TO BE REPEATED IN SAME MANNER.

NOTE: SELF CLOSING DEVICES TO COMPLY WITH MANITOBA BUILDING CODE ARTICLE 3.18.11 DOOR LATCHING DEVICES TO COMPLY WITH MANITOBA BUILDING CODE ARTICLE 3.18.13 DOOR RELEASE HARDWARE TO COMPLY WITH MANITOBA BUILDING CODE ARTICLE 3.16.15

MURPHY & MURPHY ARCHITECT INC.
775 WATERLOO STREET, LONDON, ONTARIO N6A 3W5
PH: (519) 433-5161 FAX: (519) 433-5163

NEW WINNIPEG STATION No. 27 PROJECT

SAGE CREEK, WINNIPEG, MANITOBA

DRAWING TITLE:
ROOM FINISH SCHEDULE / DOOR FINISH SCHEDULE

PROJECT NORTH: STAMP:

SCALE: A8 NOTED PROJECT NO: **2261**

DATE: JANUARY 26, 2011 FILE NAME:

ISSUED: SEPTEMBER 29, 2010 DRAWING NO: **A8.1**

DRAWN BY: MTR

CHECKED BY: DR1