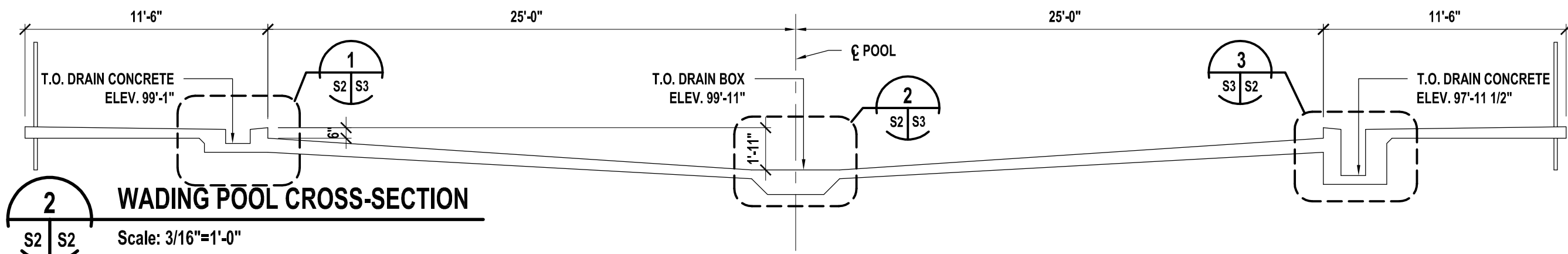
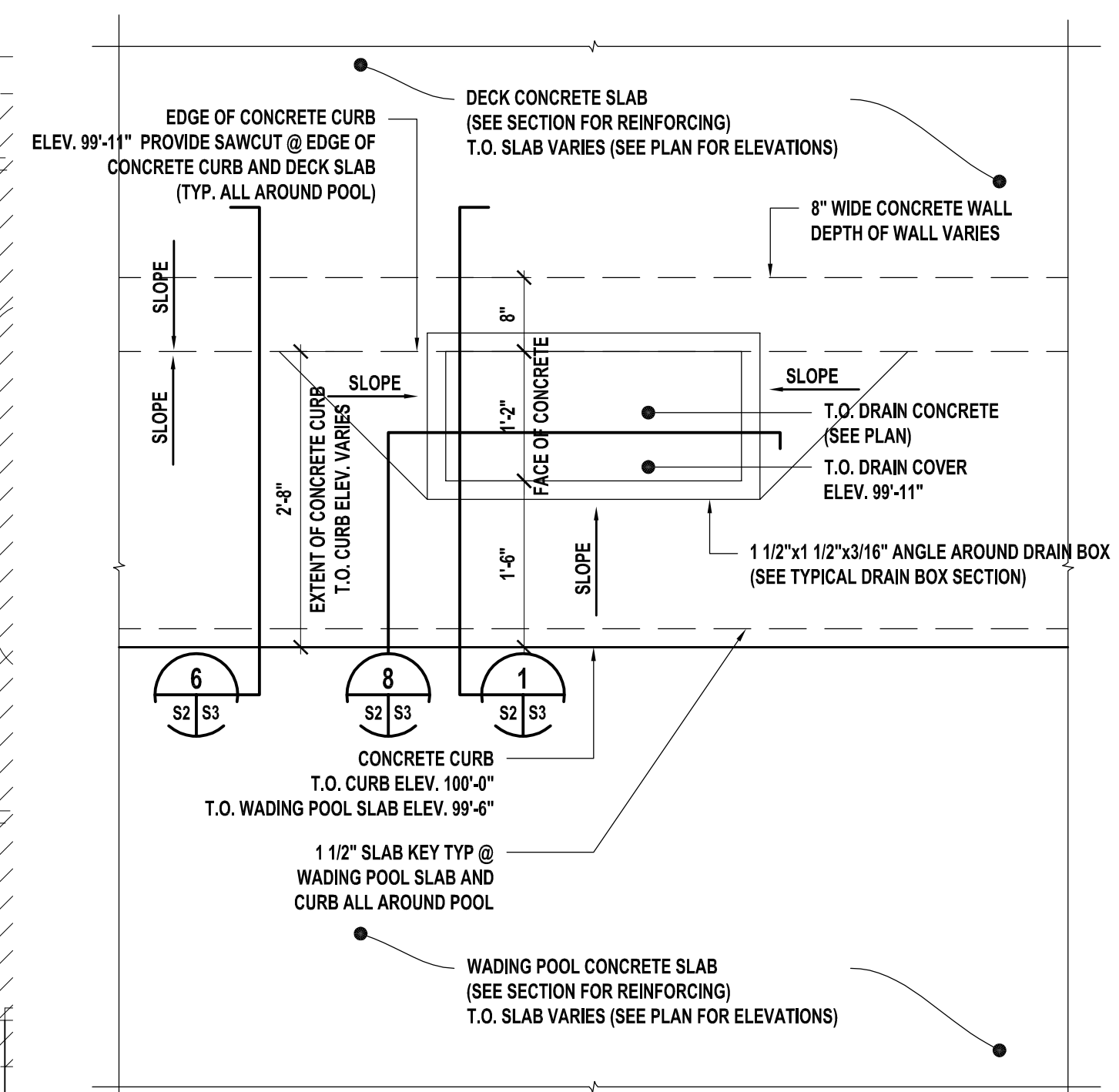


**1** NEW POOL FRAMING PLAN  
Scale = 1/8" = 1'-0"



**2** WADING POOL CROSS-SECTION  
Scale: 3/16" = 1'-0"



**3** POOL DECK DRAIN BOX PLAN DETAIL (TYP.)  
Scale = 1/8" = 1'-0"



**APEGM**  
Certificate of Authorization  
Lavergne Draward & Associates Inc.  
No. 1912 Date: JAN. 25, 2012

No.	Description	Date (m/d/y)	Drawn	Checked
2	GENERAL REVISIONS ISSUED FOR TENDER	01/25/12	AG	JL
1		12/23/11	AG	JL

THE CONTRACTOR IS TO VERIFY DIMENSIONS AND DATA NOTED ON THE STRUCTURAL DRAWINGS WITH CONDITIONS ON THE SITE. CO-ORDINATE ALL DIMENSIONS WITH THE ARCHITECTURAL DRAWINGS, AND IS HELD RESPONSIBLE FOR REPORTING ANY DISCREPANCIES TO THE ENGINEER BEFORE PROCEEDING WITH THE WORK. VARIATIONS AND MODIFICATIONS TO WORK SHOWN ON THE STRUCTURAL DRAWINGS SHALL NOT BE CARRIED OUT WITHOUT WRITTEN PERMISSION FROM THE ENGINEER. THIS DRAWING IS NOT TO BE SCALED.

**Lavergne Draward & Associates Inc.**  
402-138 Portage Avenue East  
Winnipeg, Manitoba  
R3C 0A1  
Tel 204 947-2222  
Fax 204 947-2522  
E mail general@ldaeng.ca  
Web www.ldaeng.ca

Client  
**CITY OF WINNIPEG**  
Project Title  
**KING EDWARD PARK WADING POOL REPLACEMENT**  
709 MANHATTAN AVE. WINNIPEG, MB.  
Bid Opportunity Number: 1010-2011

Sheet Title  
**NEW WADING POOL FRAMING PLAN & DETAILS**  
Scale AS NOTED Date JAN. 25, 2012  
File Number 11111 Sheet Number