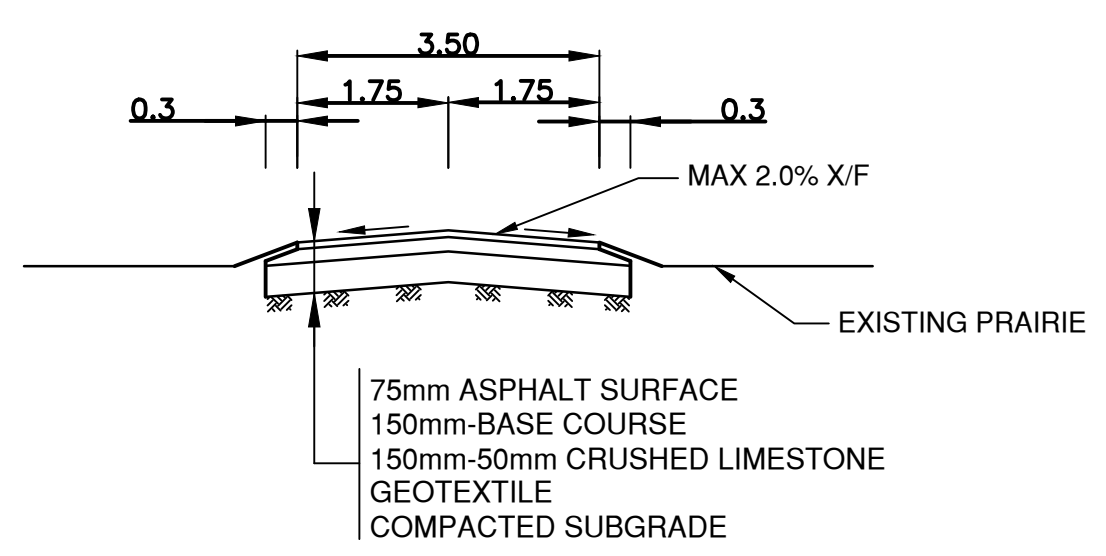
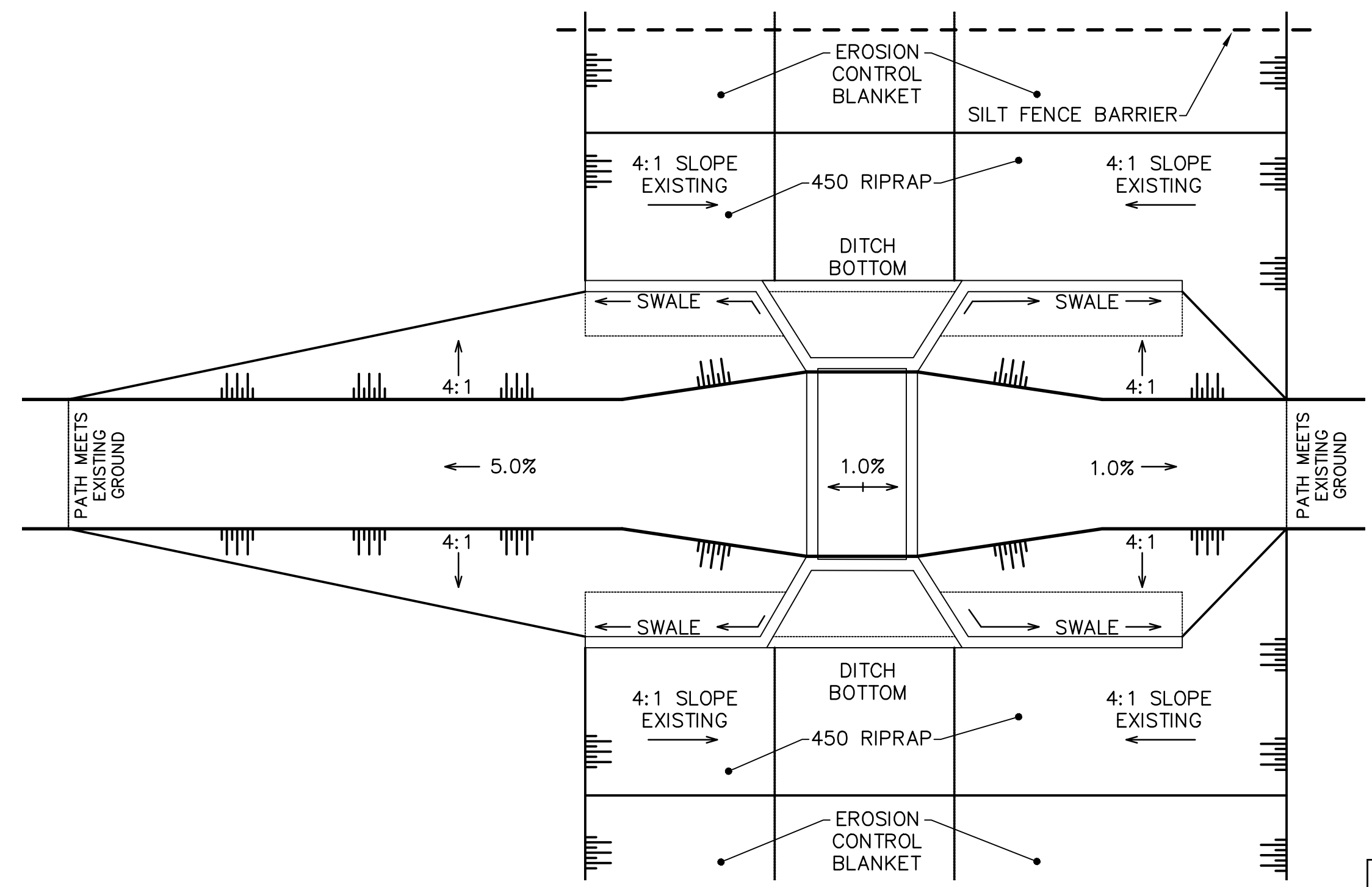


**PATH PROFILE**  
NTS



**TYPICAL PATH CROSS SECTION**  
NTS



**SITE GRADING PLAN**  
NTS

**NOTES:**

1. LOCATION OF PATHWAY, DITCHES, BOULEVARD, AND CULVERTS TO BE FINALIZED IN THE FIELD BY CONTRACT ADMINISTRATOR
2. CONTRACTOR TO TAKE PRECAUTIONARY STEPS TO AVOID DAMAGE FROM CONSTRUCTION ACTIVITIES TO TREES WITHIN THE LIMITS OF CONSTRUCTION
3. REGRADEING OF EXISTING DITCHES TO BE DIRECTED BY CONTRACT ADMINISTRATOR
4. RENEWAL OF EXISTING APPROACHES, PAVEMENT, CURBS, SIDEWALKS, CULVERTS, DITCHES AND BOULEVARD TO BE DIRECTED BY CONTRACT ADMINISTRATOR

METRIC  
WHOLE NUMBERS INDICATE MILLIMETRES  
DECIMALIZED NUMBERS INDICATE METRES

EXISTING	LEGEND - PLAN	PROPOSED	EXISTING	LEGEND - PLAN	PROPOSED	EXISTING	LEGEND - PROFILE	PROPOSED
	WATERMAIN			HYDRO			CENTER LINE	
	HYDRANT			M.T.S.			NORTH GUTTER LINE	
	VALVE			CONCRETE			SOUTH GUTTER LINE	
	LAND DRAINAGE SEWER			ASPHALT			WATERMAIN	
	WASTE WATER SEWER			PROPERTY LINE			VALVE	
	MANHOLE			SURVEY BAR			LAND DRAINAGE SEWER	
	CATCH BASIN			CURB STOP			WASTE WATER SEWER	
	CURB INLET			C.B. LEAD			JUNCTIONS	
	TRAFFIC SIGNAL			SIDEWALK			CULVERT	
	STEAM HT.			SIDEWALK RAMP			ASPH./CONCR. PAD	
	GAS			ELEVATIONS			GARAGE PAD	

NO.	REVISIONS	DATE	BY
1	ADJUST SLOPE OF NORTH APPROACH SLAB	09/19/21	MBS

**GENIVAR**  
10 PRAIRIE WAY WINNIPEG, MANITOBA R2J 3J8  
PH: (204)-477-8650 FAX: (204)-474-2864

DESIGNED BY: TL  
CHECKED BY: SU  
DRAWN BY: TL  
APPROVED BY: SU  
HOR. SCALE: SEE DETAILS  
MAIN PLAN: 1:1250  
DATE: JANUARY 2011

ENGINEERS SEAL  
CONSULTANT DRAWING NO. 09-150-19

**THE CITY OF WINNIPEG**  
PUBLIC WORKS DEPARTMENT

**2010 ACTIVE TRANSPORTATION INFRASTRUCTURE STIMULUS PROGRAM**  
NAVIN DRAIN CROSSING: LAGIMODIERE MULTI-USE PATH  
NAVIN DRAIN CROSSING LOCATION AND SITE GRADING PLAN



CITY DRAWING NO. C-378-11-02  
SHEET 2 OF 7  
TENDER NO. 24-2011