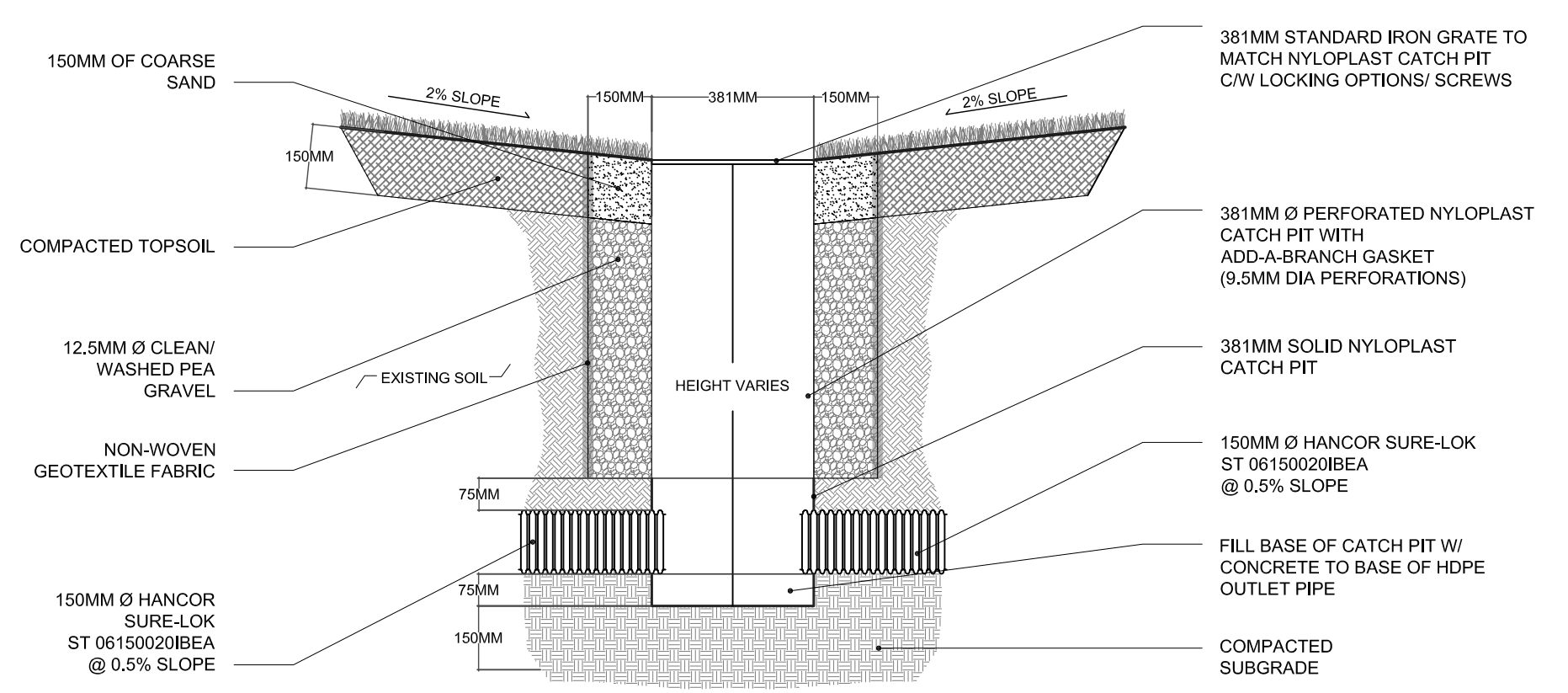
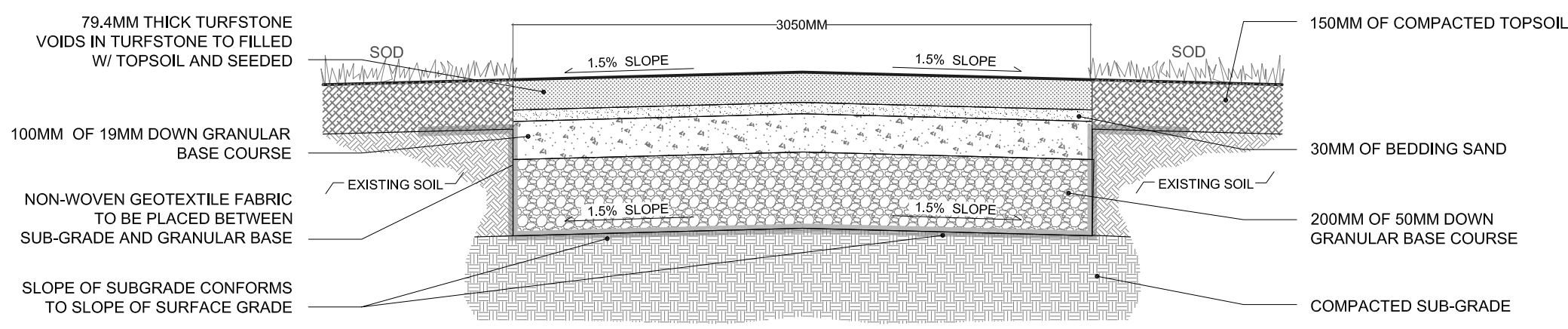


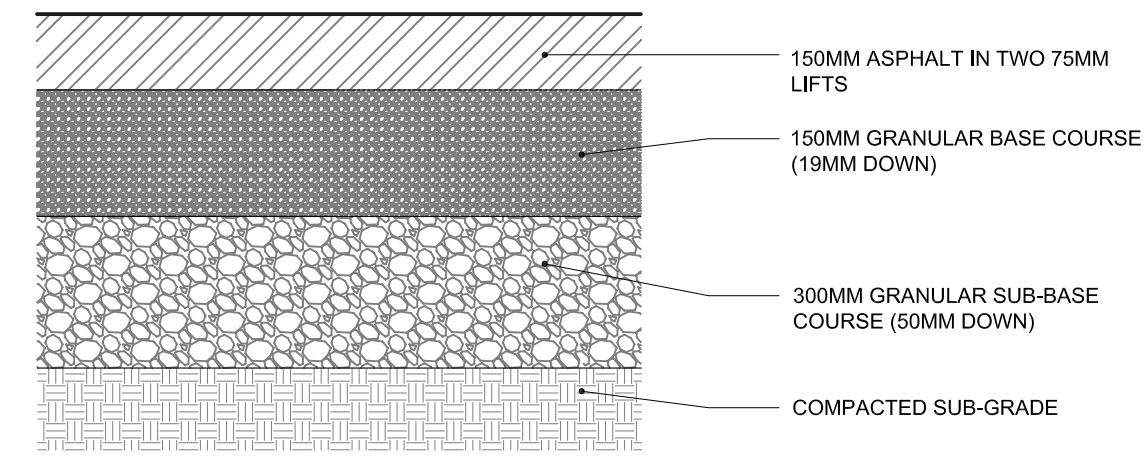
D1 SECTION THROUGH 600MM NYLOPLAST CATCH PIT  
L5 SCALE 1:15



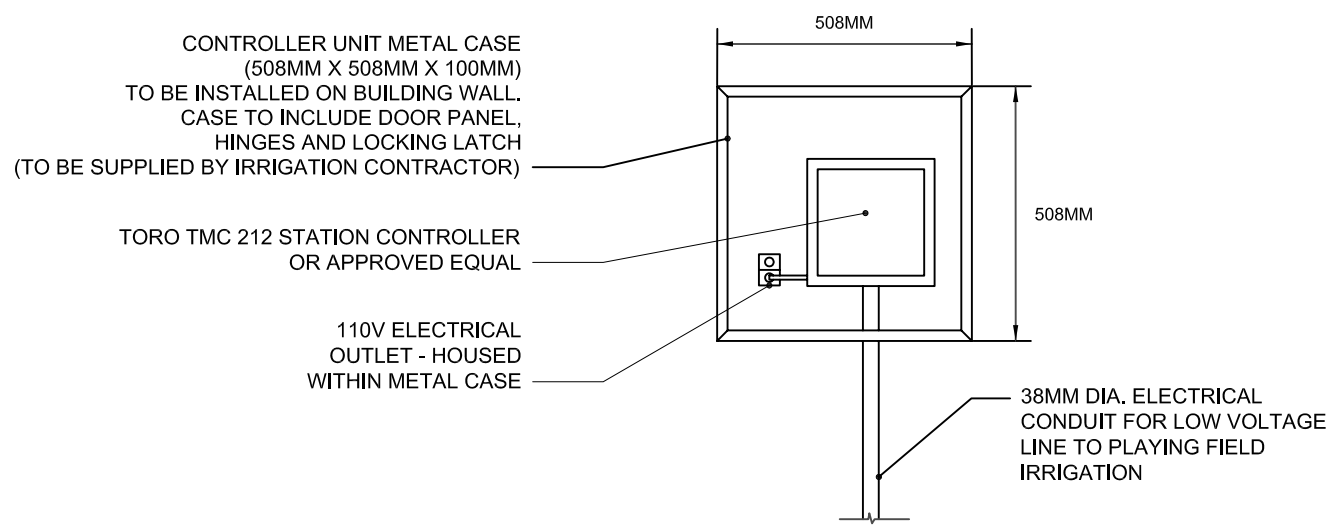
D2 SECTION THROUGH 381MM NYLOPLAST CATCH PIT  
L5 SCALE 1:15



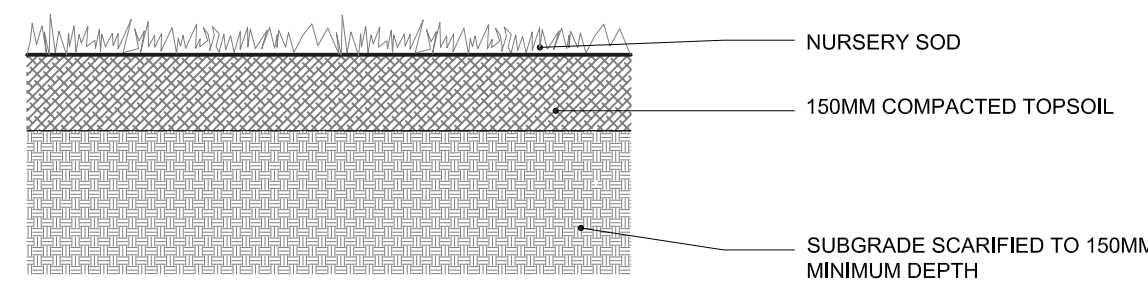
D3 TYPICAL SECTION THROUGH TURFSTONE SERVICE ROAD  
L5 SCALE 1:15



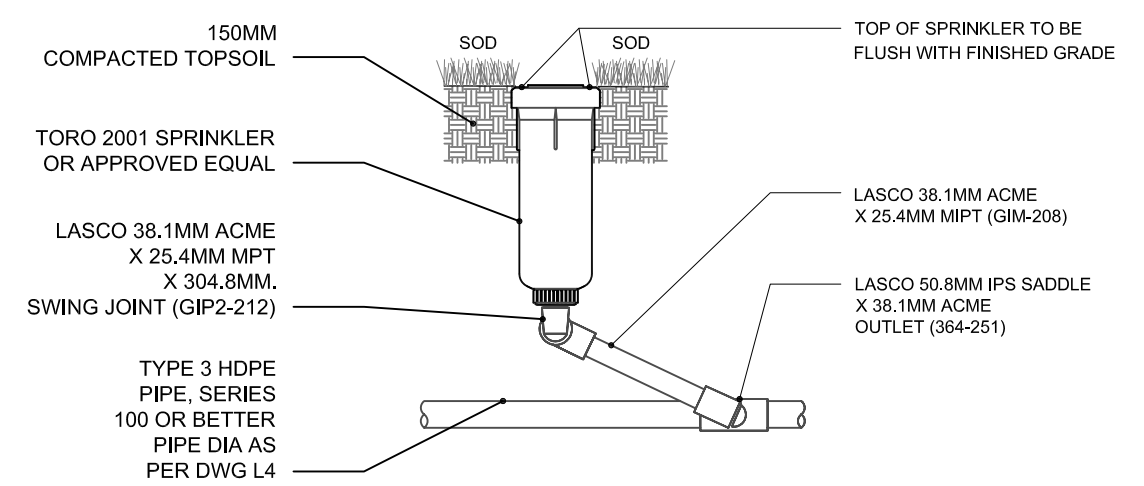
D4 TYPICAL SECTION THROUGH ASPHALT PAVING  
L5 SCALE 1:15



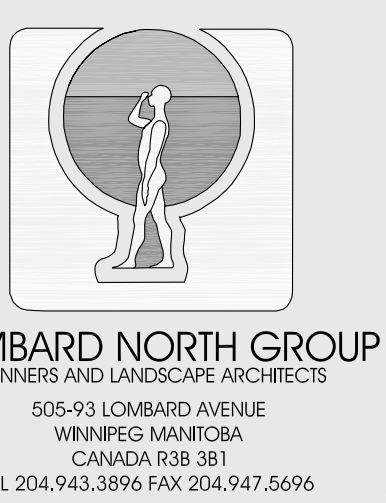
D5 IRRIGATION CONTROLLER & WATER HOOK UP  
L5 SCALE 1:15



D6 TYPICAL SODDING  
L5 SCALE 1:15



D7 SECTION SHOWING SPRINKLER, SWING JOINT & PIPE ASSEMBLY  
L5 SCALE 1:15



PROJECT TITLE  
**ST VITAL PARK**  
ATHLETIC FIELD  
DEVELOPMENT  
WINNIPEG, MANITOBA

DRAWING  
**L5**  
CONSTRUCTION DETAILS

DATE: 06.08.2011  
SCALE: AS SHOWN  
DESIGNED BY: CN  
DRAWN BY: WS TM  
APPROVED BY: CN

NOTE  
1. SOD ENTIRE PROJECT AREA TO THE LIMIT OF WORK (REFER TO D6, L5)  
2. SERVICES ARE TO BE INSTALLED IN ACCORDANCE WITH THE LATEST REVISIONS OF THE CITY OF WINNIPEG STANDARD SPECIFICATIONS

5		
4		
3		
2		
1	REVISIONS TO DIMENSION LINES IN D1 & D2	14.06.11
0	REVISION NOTE	DD.MM.YY
DESIGNED BY	DRAWN BY	DATE