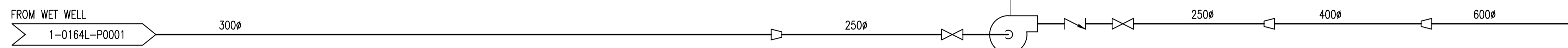
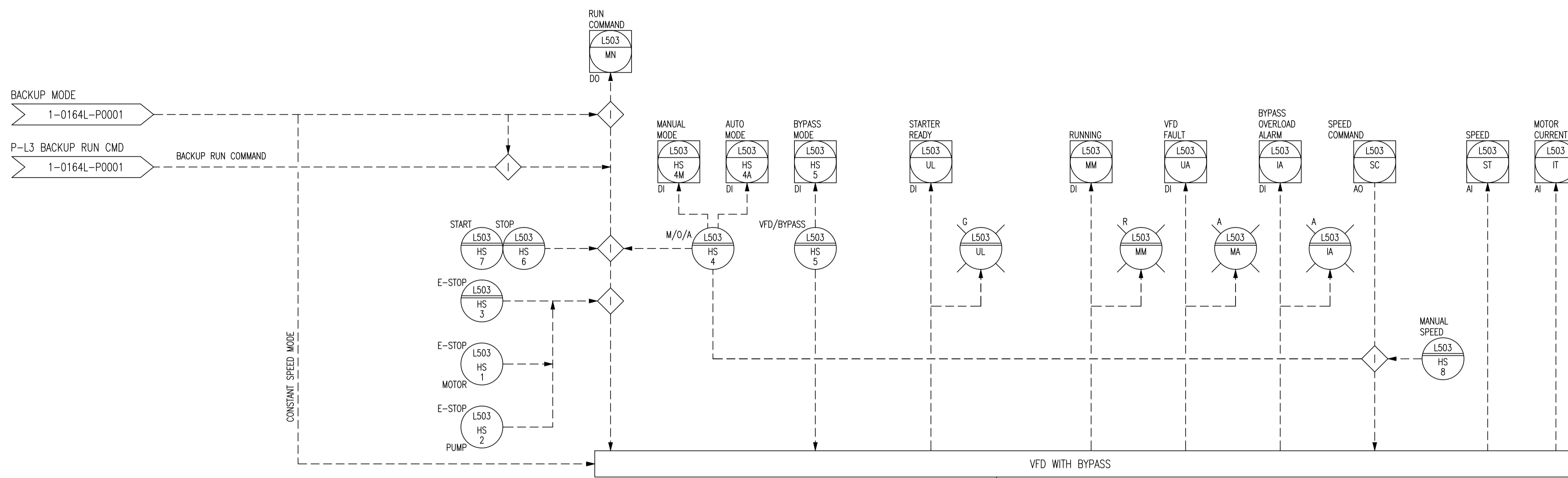
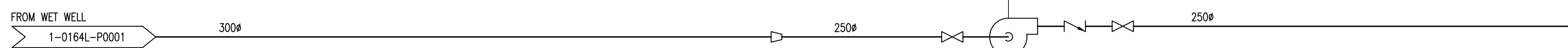
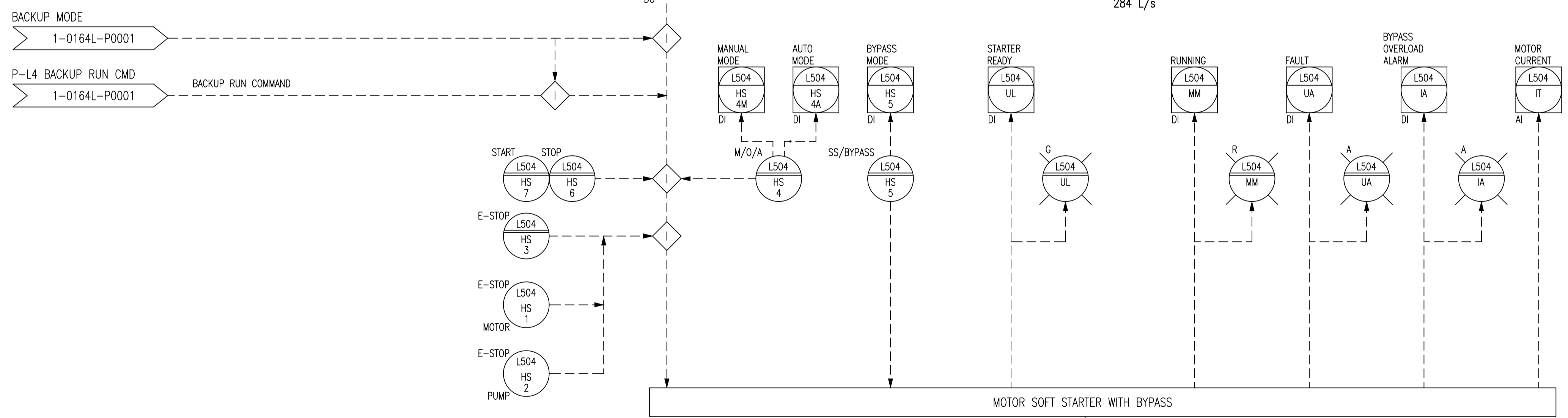


LEGEND:

- DEVICE DESCRIPTORS:**
 AI ANALOG INPUT
 AO ANALOG OUTPUT
 DI DISCRETE INPUT
 DO DISCRETE OUTPUT
 M/O/A MANUAL/OFF/AUTO
- FUNCTIONAL IDENTIFIERS:**
 FIT FLOW INDICATING TRANSMITTER
 FT FLOW TRANSMITTER
 HS HAND SWITCH
 IA CURRENT ALARM
 IT CURRENT TRANSMITTER
 LH LEVEL HIGH
 LIT LEVEL INDICATING TRANSMITTER
 LSH LEVEL SWITCH HIGH
 LT LEVEL TRANSMITTER
 MM MOTOR RUNNING
 MN MOTOR START
 SC SPEED COMMAND
 ST SPEED TRANSMITTER
 UA FAULT
 UL STARTER READY
 YC BYPASS COMMAND
 YL BYPASS MODE



**P-L3
 WASTEWATER LIFT PUMP**
 100 HP (74.6 kW)
 575V, 3Ø
 1178 RPM
 284 L/s



**P-L4
 WASTEWATER LIFT PUMP**
 100 HP (74.6 kW)
 575V, 3Ø
 1170 RPM
 284 L/s

NOTES:

- ALL INSTRUMENTS SHOWN IN AN AUXILIARY LOCATION ARE IN THE CORRESPONDING VFD / MOTOR STARTER PANEL.
- THE FACILITY PREFIX FOR ALL INSTRUMENT IDENTIFIERS IS "MON".



NO.	REVISIONS	DATE	DESIGN	CHECK
00	ISSUED FOR TENDER, BID OPP. 907-2011	2011/11/04	BC	CJR

 SNC-LAVALIN INC. 148 Nature Park Way Winnipeg, MB, Canada R3P 0X7 204-786-8080	
DESIGNED BY: B. CLEVEN / V. ELIMBAN	CHECKED BY: C. REIMER
DRAWN BY: M.J. PERSSON	APPROVED BY: C. REIMER
SCALE: NTS	RELEASED FOR CONSTRUCTION BY: K. R. ZUREK DATE: 2012/02/23
DATE: 2011/09/22	DATE: 2012/02/23
CONSULTANT NO.: 508042-0000-49DD-0003	

ENGINEER'S SEAL
 ORIGINAL DRAWING
 SEALED BY:
 C. J. REIMER
 SNC-LAVALIN
 MEMBER #21968
 2011/11/07
 REV. 00

THE CITY OF WINNIPEG
 WATER AND WASTE DEPARTMENT

Winnipeg

MONTCALM WASTEWATER PUMPING STATION
 2011 UPGRADES
 PROCESS & INSTRUMENTATION DIAGRAM
 PUMPS P-L3 AND P-L4

CITY DRAWING NUMBER	SHEET	REV.	SIZE
1-0164L-P0003	001	00	A1