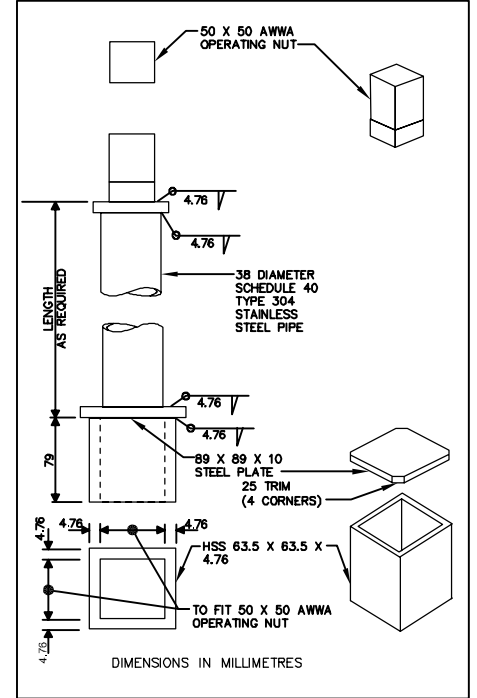


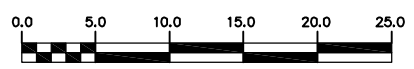
**MATERIALS LIST**

ITEM	DESCRIPTION	ENDS	LENGTH
①	400X400X400X400 FLANGED CI CROSS	FL X FL X FL X FL	782
②	400# VAL-MATIC BUTTERFLY VALVE WITH MANUAL ACTUATOR	FL X FL	202
③	400# UNIFLANGE	-	-
④	400# DI SPOOL PIECE	PE X PE	207
⑤	400# DI SPOOL PIECE	PE X PE	364
⑥	400# VICTAULIC COUPLING STYLE 44	-	-



**MATERIALS LIST**

ITEM	MANUFACTURER	MODEL	CLASS	MATERIAL
300mm PIPE	REHAU	-	DR 35	PVC
400mm PIPE	-	-	-	DUCTILE IRON
300mm GATE VALVE	GLOW CANADA	F-5112	-	CAST IRON
400mm BUTTERFLY VALVE	VAL-MATIC	2010/W0066	-	CAST IRON
400x400x400x400 CROSS	SIGMA FOUNDRY	-	-	CAST IRON
400x300 RED. COUPLING	ROMAC INDUSTRIES	STYLE 44	-	-
400 VICTAULIC COUPLING	VICTAULIC	STYLE 44	-	CAST IRON
400 UNIFLANGE	UNIFLANGE	-	-	CAST IRON



CONTRACTOR: CENTRALIZED SERVICES  
COMPLETION: JUNE 30, 2009

**RECORD DRAWING**  
WATER AND WASTE DEPARTMENT

METRIC  
WHOLE NUMBERS INDICATE MILLIMETRES  
DECIMALIZED NUMBERS INDICATE METRES  
NOTE: ALL VALVES INSTALLED COUNTERCLOCKWISE TO CLOSE

200 WM	WATERMAIN	200 WM	SL, HYDRO	150 WM	WATERMAIN	150 WM
+	HYDRANT	+	MTS	+	HYDRANT	+
o	VALVE	o	TRAFFIC SIGNALS	o	VALVE	o
525 LDS	LAND DRAINAGE SEWER	525 LDS	50 GAS	300 LDS	LAND DRAINAGE SEWER	300 LDS
375 WWS	WASTEWATER SEWER	375 WWS	SURVEY BAR	250 WWS	WASTEWATER SEWER	250 WWS
o	MANHOLE	o	FENCE	o	PROFILE	o
□	CATCH BASIN	□	POLE - HYDRO, MTS	□	GROUND ABOVE PIPE	□
▽	CURB INLET	▽	CURB STOP	▽	? DITCH (NORTH & WEST)	▽
▽	REDUCER	▽	GUY ANCHOR	▽	? DITCH (SOUTH & EAST)	▽
X	COUPLER	X	LIGHT STANDARD	X	GUTTER (NORTH & WEST)	X
⊕	ANODE	⊕	TREE	⊕	GUTTER (SOUTH & EAST)	⊕
EXISTING	LEGEND-PLAN	PROPOSED	EXISTING	LEGEND-PLAN	PROPOSED	EXISTING

LOCATION APPROVED UNDERGROUND STRUCTURES

NO.	REVISIONS	DATE	BY
1	REVISED TO RECORD DRAWING	09.10.16	C.JH
2	REVISED PLOT DATE	09.11.13	WKT

NOTE: LOCATION OF UNDERGROUND STRUCTURES AS SHOWN ARE BASED ON THE BEST INFORMATION AVAILABLE BUT NO GUARANTEE IS GIVEN THAT THE GIVEN LOCATIONS ARE EXACT. CONFIRMATION OF EXISTENCE AND EXACT LOCATION OF ALL SERVICES MUST BE OBTAINED FROM THE INDIVIDUAL UTILITIES BEFORE PROCEEDING WITH CONSTRUCTION.

CITY OF WINNIPEG WATER AND WASTE ENGINEERING DIVISION

DESIGNED BY	DB	CHECKED BY	KZ
DRAWN BY	C.JH	APPROVED BY	KZ
HOR. SCALE	AS SHOWN	RELEASED FOR CONSTRUCTION	
VERTICAL	AS SHOWN		
DATE	2009 06 03	DATE	

ENGINEER'S SEAL  
ORIGINAL MYLAR SIGNED BY K.R. ZUREK 09/11/07

BID OPPORTUNITY: FILENAME : D-11791.dwg PLOT DATE: 2009 10 16

**THE CITY OF WINNIPEG**  
WATER AND WASTE DEPARTMENT

2009 VALVE CHAMBER UPGRADES  
INSTALLATION OF 400 BUTTERFLY VALVES  
DOUCET STREET AND ARCHIBALD STREET

SHEET 1 OF 1  
CITY DRAWING NUMBER  
D-11791