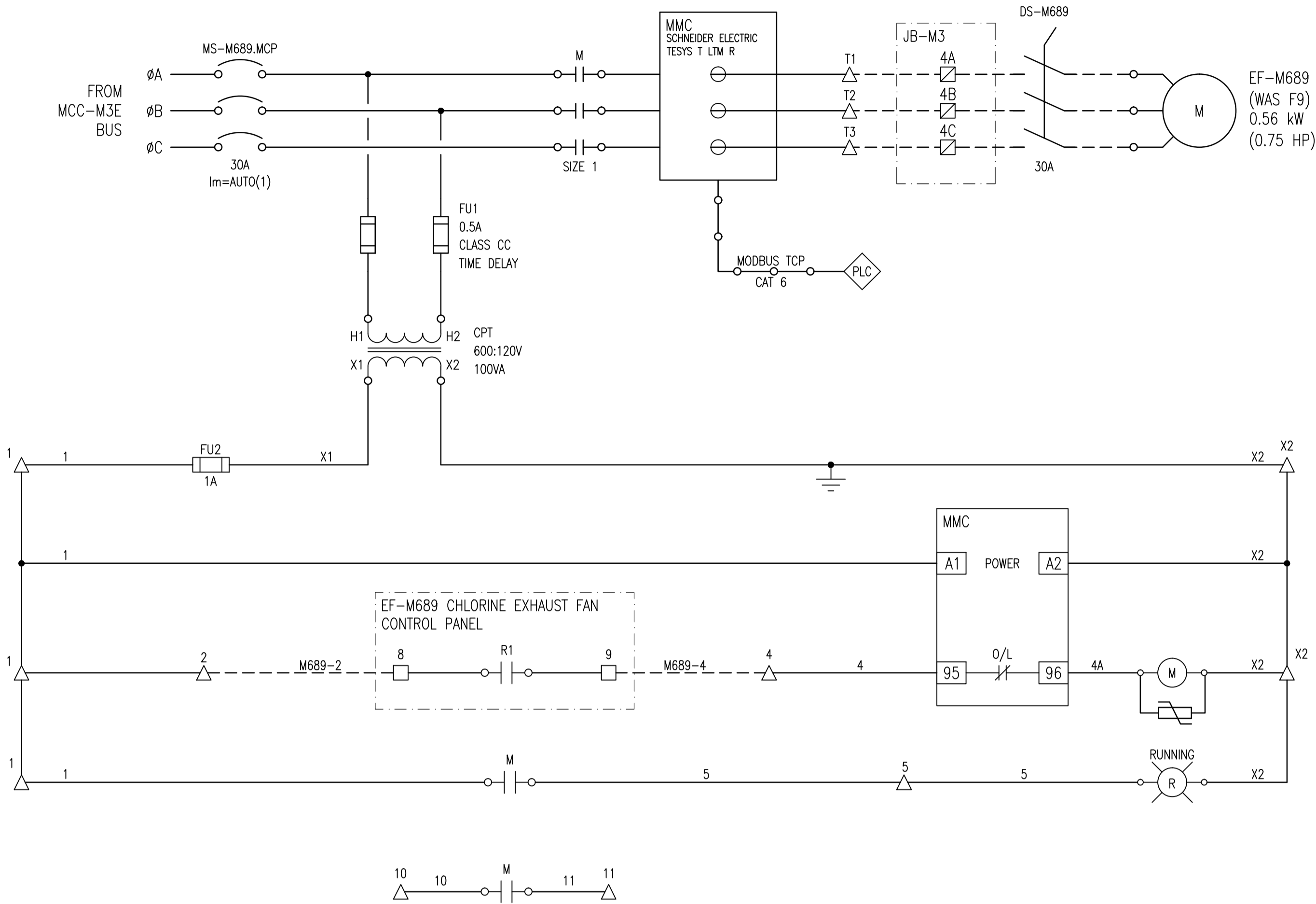
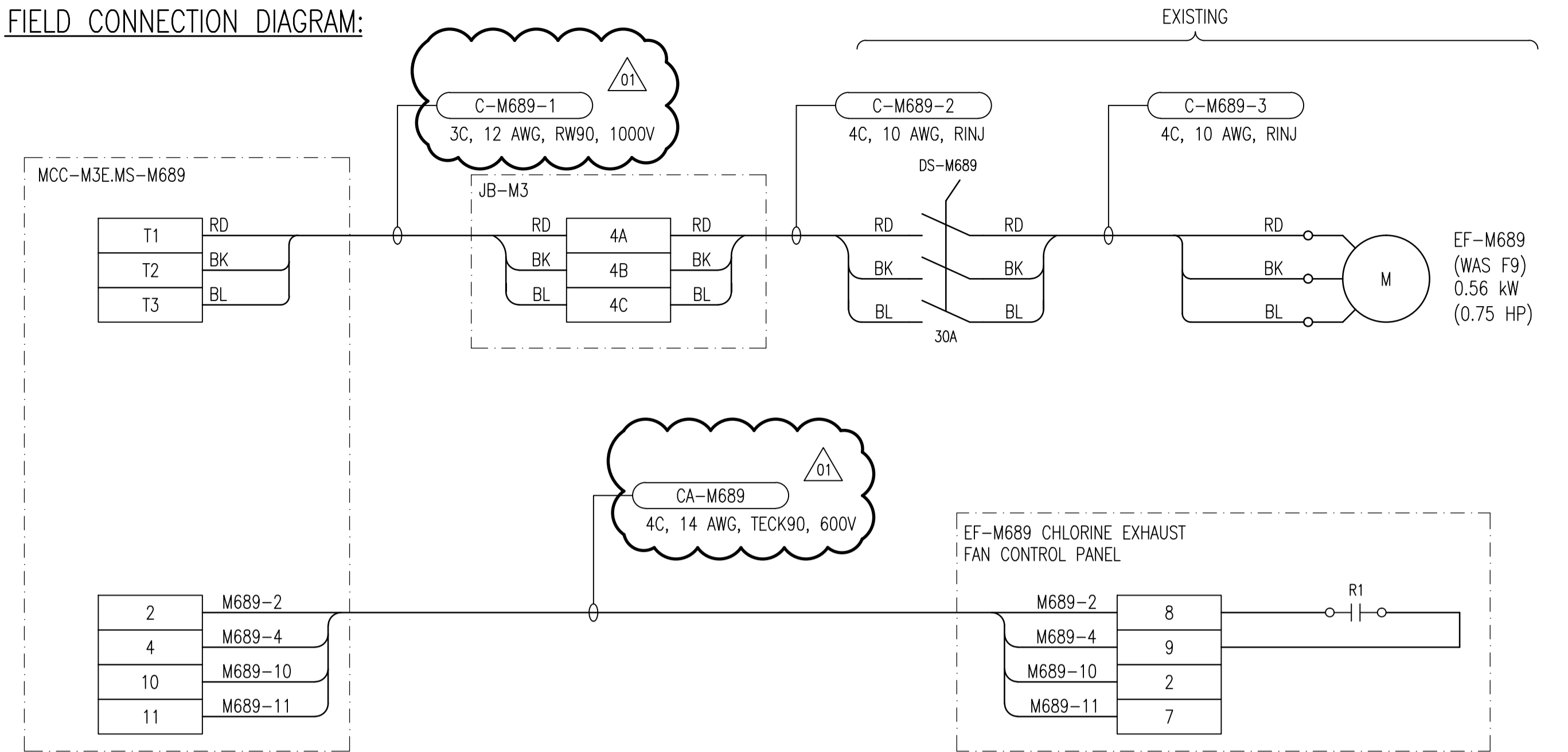


ELEMENTARY DIAGRAM:



FIELD CONNECTION DIAGRAM:



CONSTRUCTION NOTES:

- INVESTIGATE EXISTING WIRING TO THE EXHAUST FAN CONTROL PANEL(S) AND MODIFY WIRING FROM THAT SHOWN AS REQUIRED TO REPLICATE EXISTING FUNCTIONALITY. PROVIDE AS-BUILT MARKUPS TO THE CONTRACT ADMINISTRATOR.
- PROVIDE IDENTIFICATION LAMACOIDS FOR ALL CHLORINE EXHAUST FAN CONTROL PANELS APPLICABLE TO EF-M689.

LEGEND:

- △ TERMINAL IN MOTOR STARTER COMPARTMENT
- TERMINAL IN LCP-M600
- ⊠ TERMINAL IN JUNCTION BOX
- ⊙(R) INDICATING LIGHT, R = RED, A = AMBER
- ⊙(M) CONTACTOR COIL
- ⊠ TRANSIENT VOLTAGE SUPPRESSOR

LAST SAVE: 2012/08/16 - 4:10pm  
 PATH: M:\508955\4ENG\47ELE\DO - General DWG\1-0630M-E0055-001-01.dwg

1-0630M-E0027	MCC ELEVATION, MCC-M3E
1-0630M-E0025	SINGLE LINE DIAGRAM, MCC-M3E
DRAWING NUMBER	REFERENCE DRAWINGS



NO.	REVISIONS	DATE	DESIGN	CHECK
01	ADDENDUM 1, BID OPP. 490-2012	2012/08/14	BJC	CJR
00	ISSUED FOR TENDER, BID OPP. 490-2012	2012/07/23	BJC	CJR

**SNC-LAVALIN INC.**  
 148 Nature Park Way  
 Winnipeg, MB, Canada R3P 0X7  
 204-786-8080

DESIGNED BY: B. CLEVEN  
 CHECKED BY: C. REIMER  
 DRAWN BY: M.J. PERSSON  
 APPROVED BY: C. REIMER  
 SCALE: NTS  
 RELEASED FOR CONSTRUCTION BY: [ ]  
 DATE: 2012/05/03  
 CONSULTANT NO.: 508955-0000-47DD-0055

ENGINEER'S SEAL  
**PRELIMINARY**  
 NOT TO BE USED FOR CONSTRUCTION

**THE CITY OF WINNIPEG**  
 WATER AND WASTE DEPARTMENT

MACLEAN WATER PUMPING STATION

MOTOR STARTER SCHEMATIC  
 EF-M689  
 CL2 SCALE ROOM EXHAUST FAN

CITY DRAWING NUMBER: 1-0630M-E0055  
 SHEET REV. SIZE: 001 01 A1