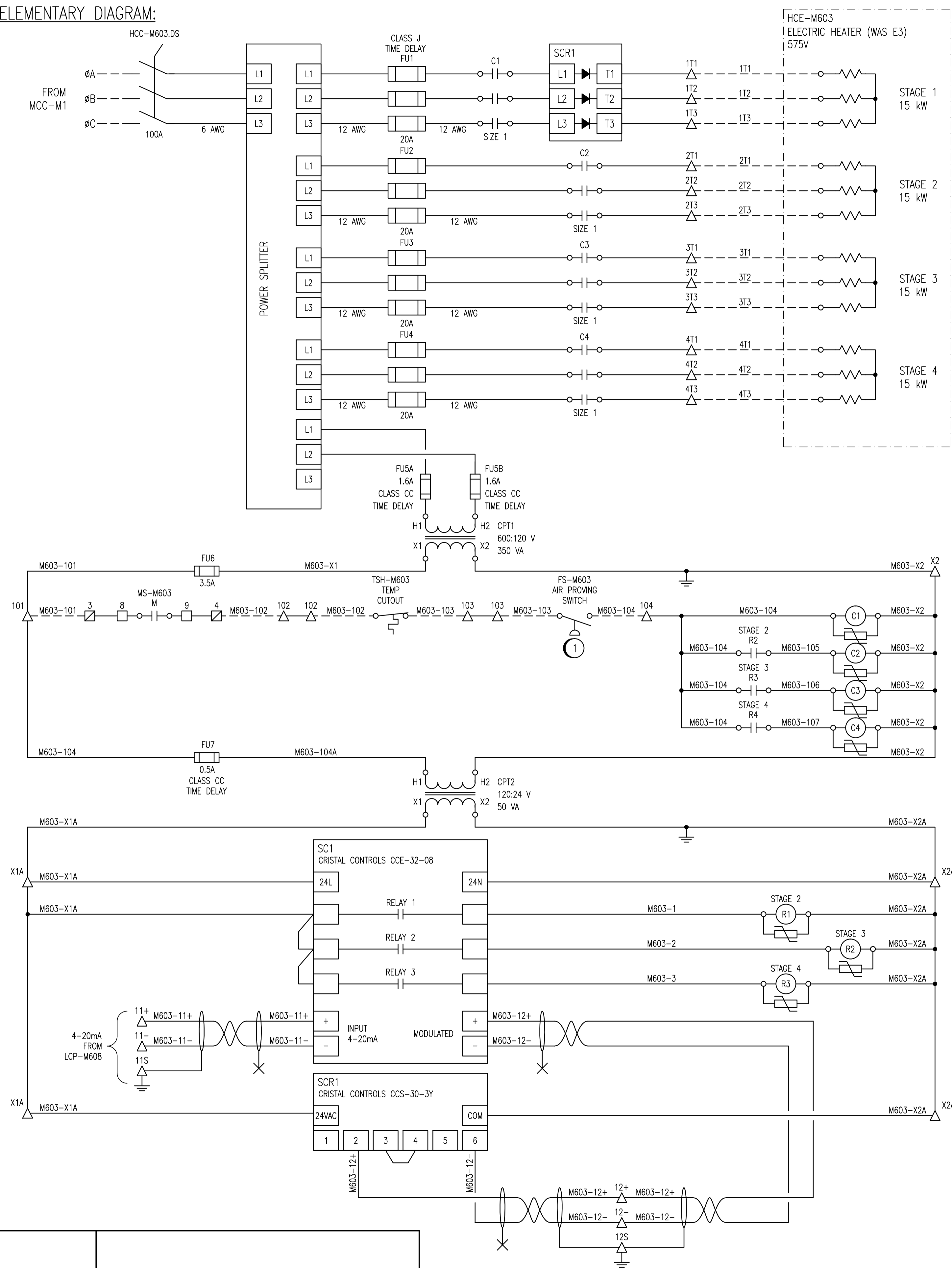
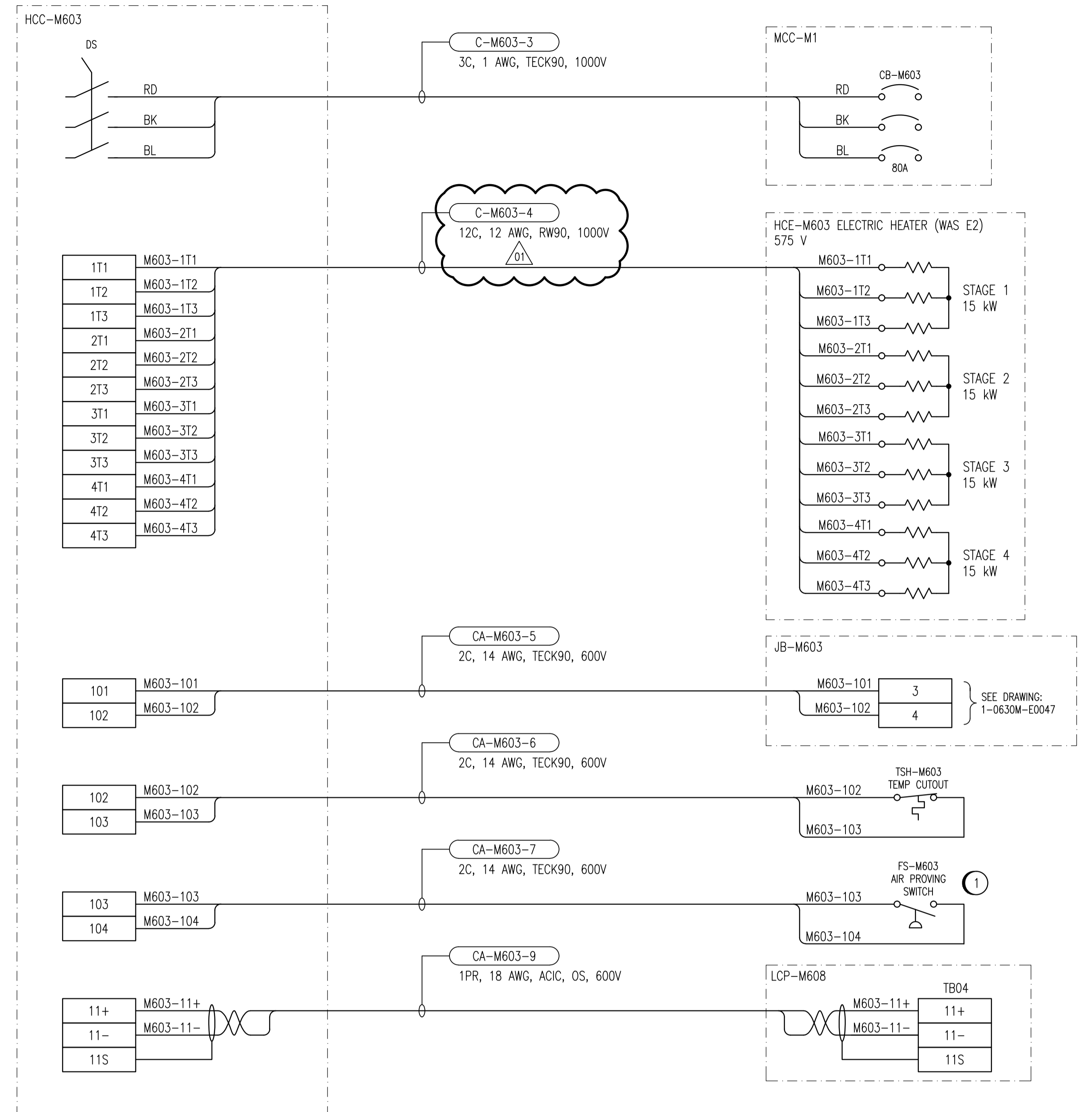


A1 SIZE - 594mm x 841mm

ELEMENTARY DIAGRAM:



CONNECTION DIAGRAM:



CONSTRUCTION NOTES:

- 1 SUPPLY AND INSTALL NEW AIR PROVING SWITCH.

LEGEND:

- △ TERMINAL IN CONTACTOR PANEL
- TERMINAL IN AHU-M603 STARTER
- ▣ TERMINAL IN JB-M603
- ▭ TRANSIENT VOLTAGE SUPPRESSOR

LAST SAVE: 2012/08/22 - 3:14pm

PATH: M:\508955\ENGL\47ELE.DWG - General DWG\1-0630M-E0065-001-01.dwg

1-0630M-A0036 AHU-M603 DISCHARGE AIR TEMP. LOOP DIAGRAM
DRAWING NUMBER REFERENCE DRAWINGS



NO.	REVISIONS	DATE	DESIGN	CHECK
01	ADDENDUM 2, BID OPP. 490-2012	2012/08/22	BJC	CJR
00	ISSUED FOR TENDER, BID OPP. 490-2012	2012/07/23	BJC	CJR

		SNC-LAVALIN INC. 148 Nature Park Way Winnipeg, MB, Canada R3P 0X7 204-786-8080	
DESIGNED BY:	B. CLEVEN	CHECKED BY:	C. REIMER
DRAWN BY:	M.J. PERSSON	APPROVED BY:	C. REIMER
SCALE:	NTS	RELEASED FOR CONSTRUCTION BY:	
DATE:	2012/05/14	DATE:	
CONSULTANT NO.:	508955-0000-47DD-0065		

ENGINEER'S SEAL
PRELIMINARY
NOT TO BE
USED FOR
CONSTRUCTION

THE CITY OF WINNIPEG
WATER AND WASTE DEPARTMENT

MACLEAN WATER PUMPING STATION

CONTACTOR SCHEMATIC
HCC-M603
ELECTRIC HEATING COIL FOR AHU-M603

CITY DRAWING NUMBER: 1-0630M-E0065 SHEET: 001 REV: 01 SIZE: A1

1-0630M-E0065-001-01.dwg