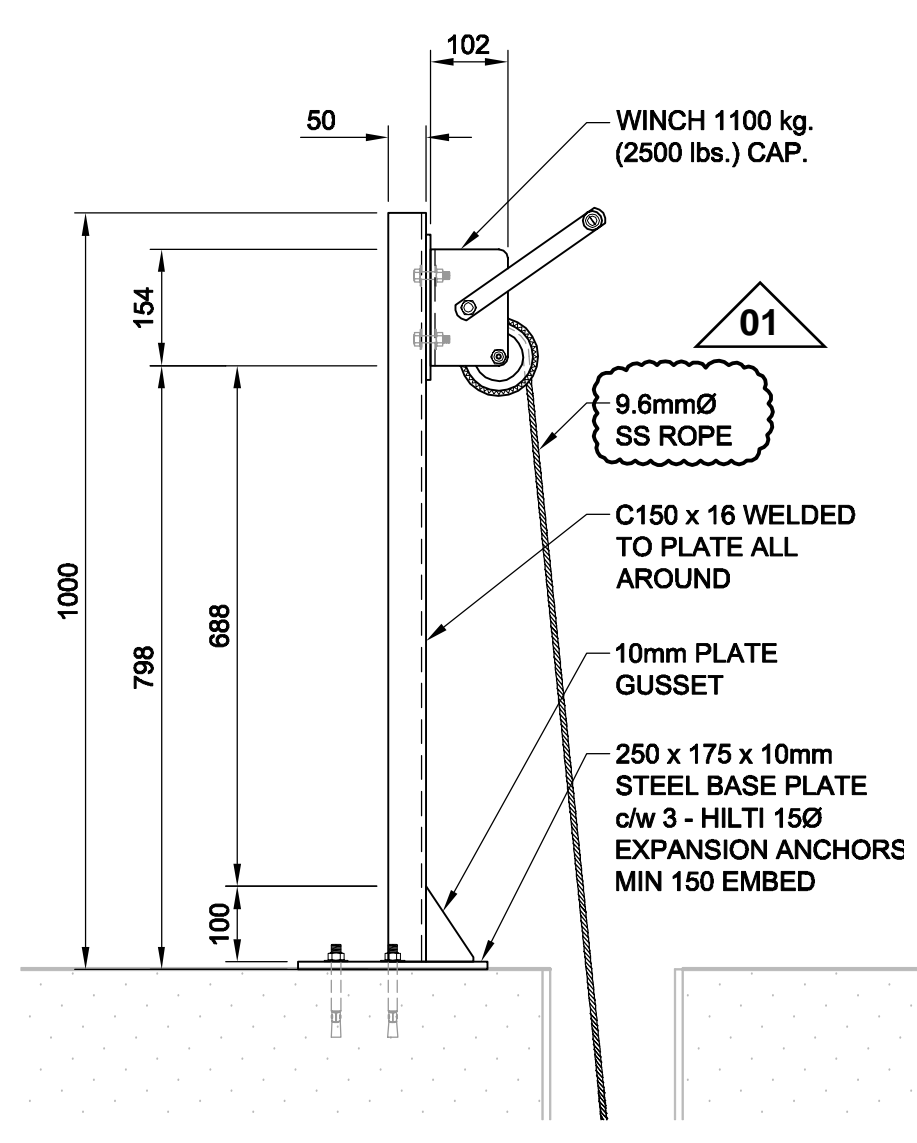
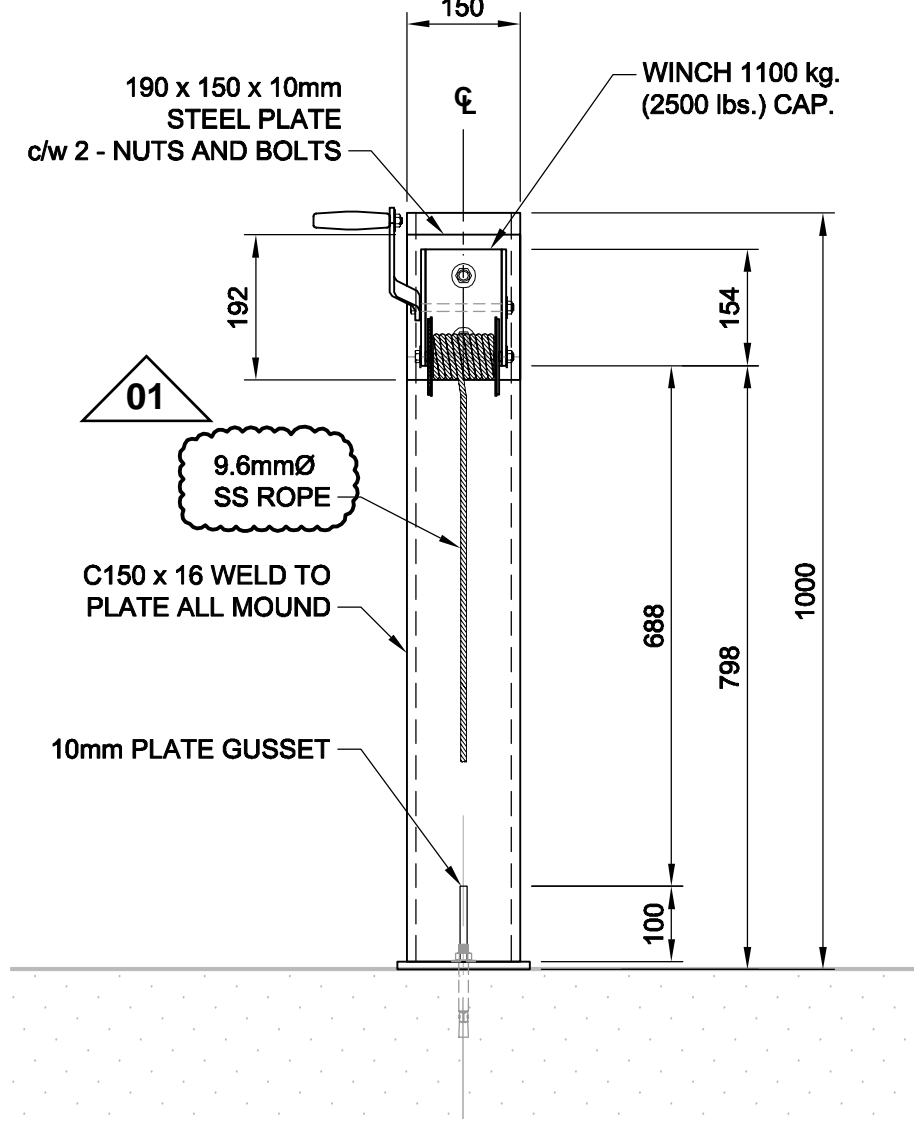


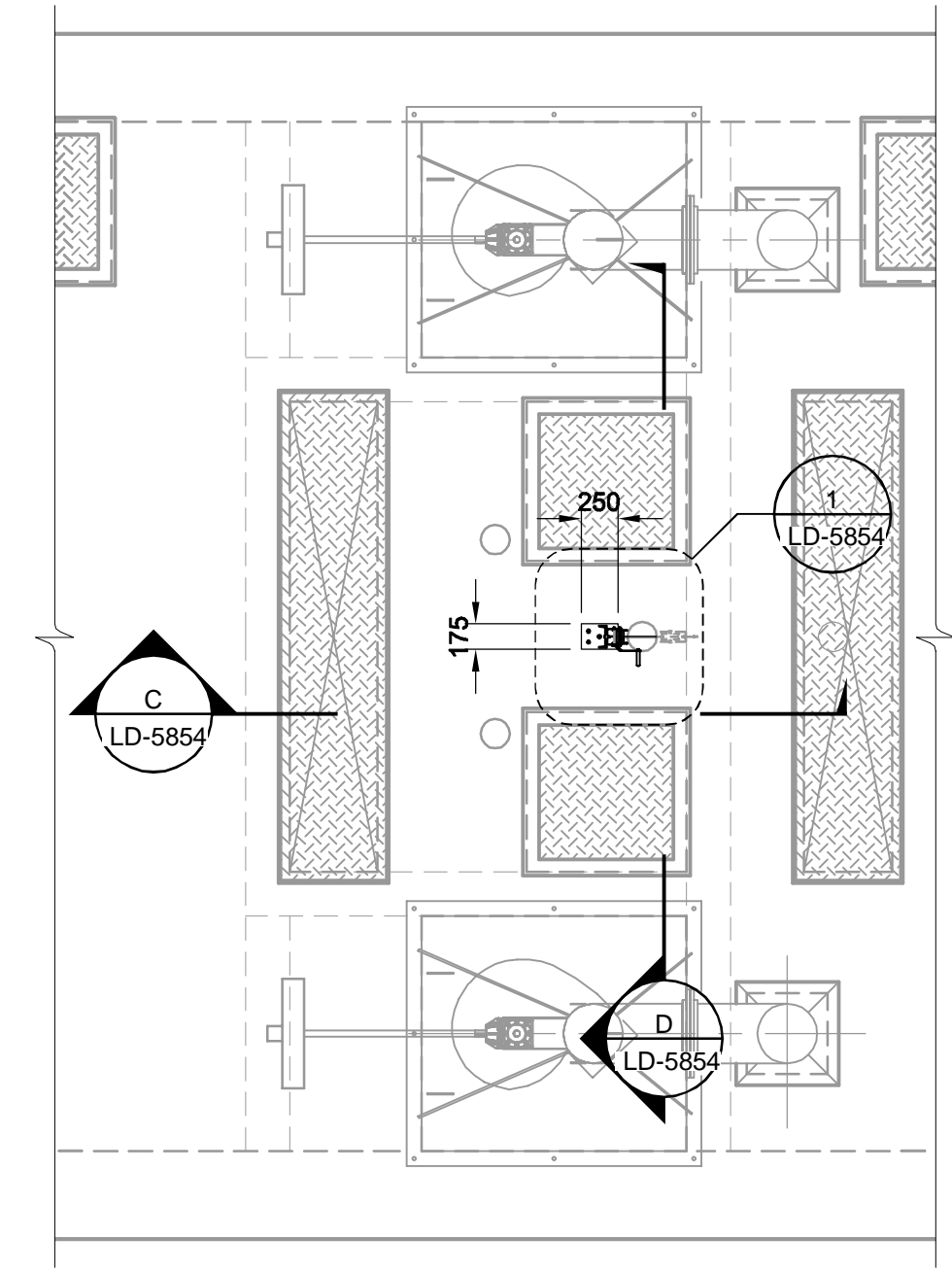
**1 | DETAIL**  
Scale 1:10



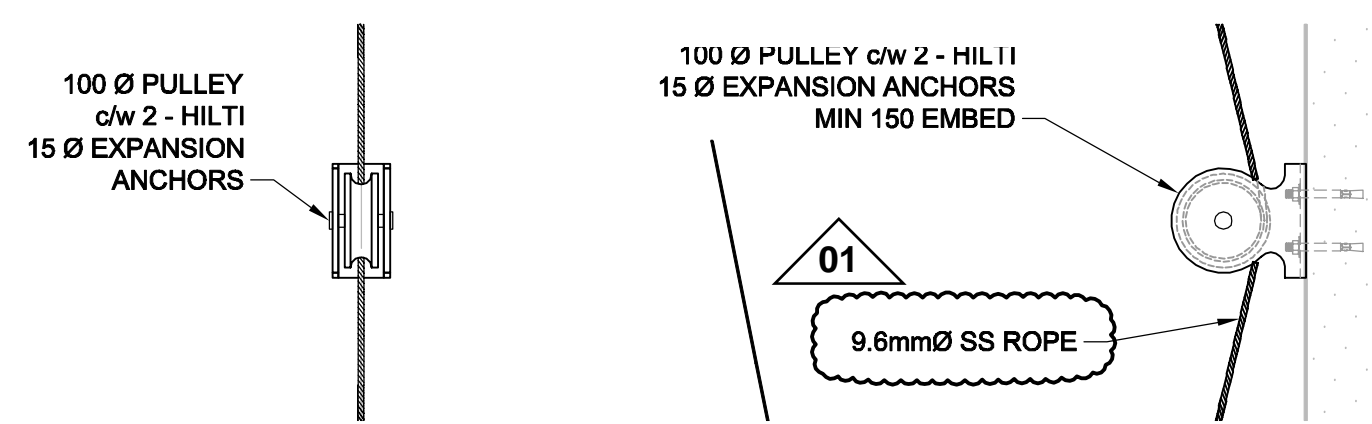
**2 | DETAIL**  
Scale 1:10



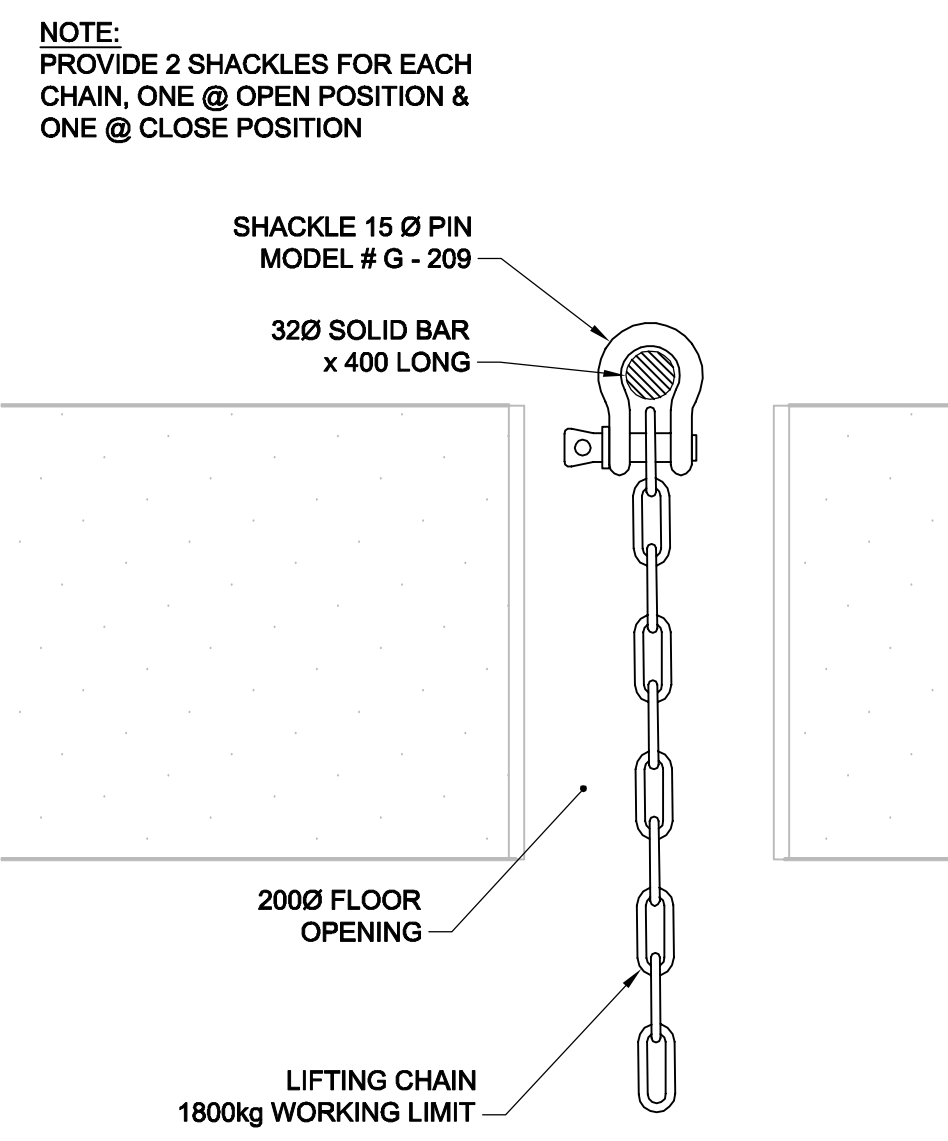
**3 | DETAIL**  
Scale 1:10



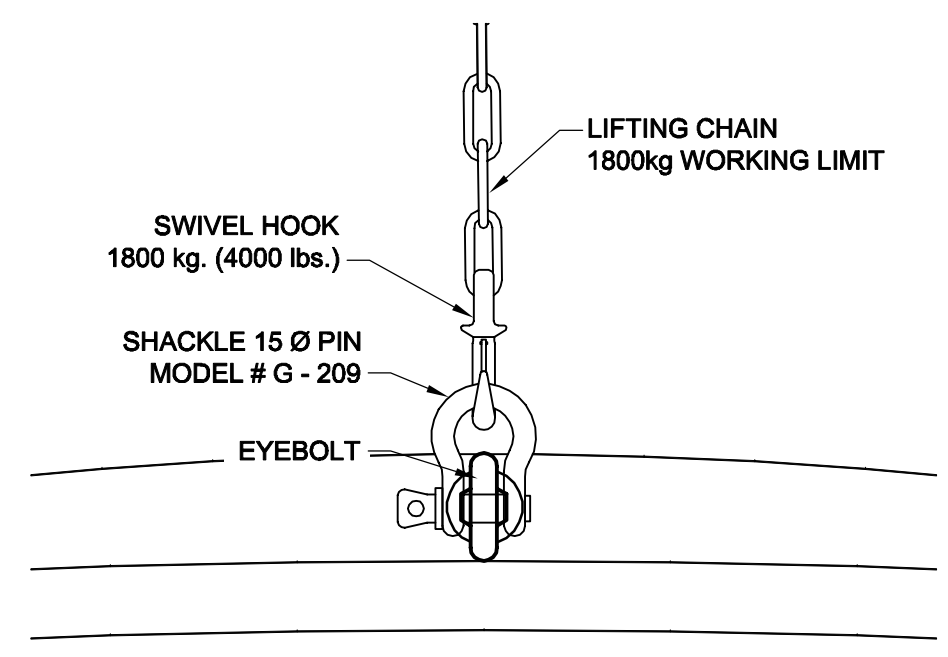
**A | PARTIAL PLAN**  
Scale 1:50



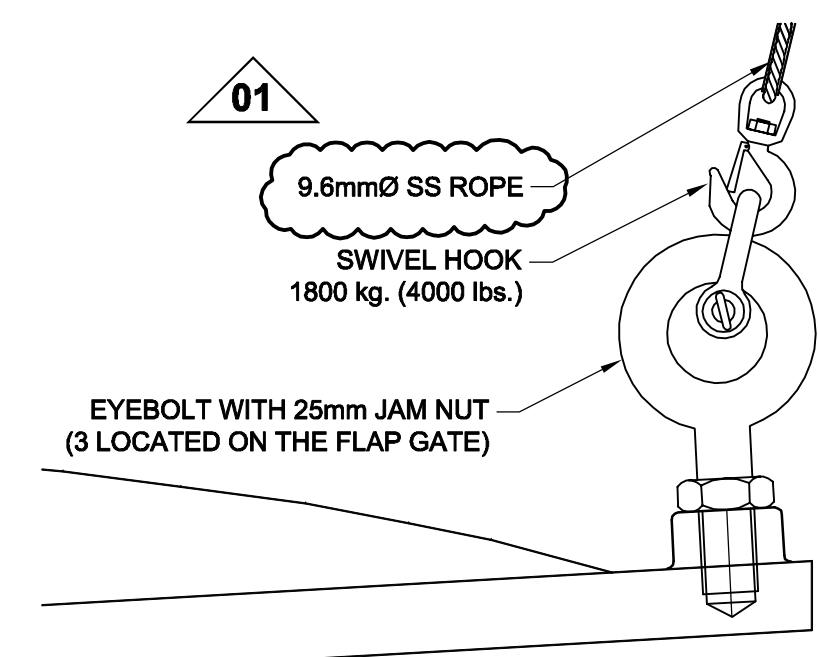
**4 | DETAIL**  
Scale 1:10



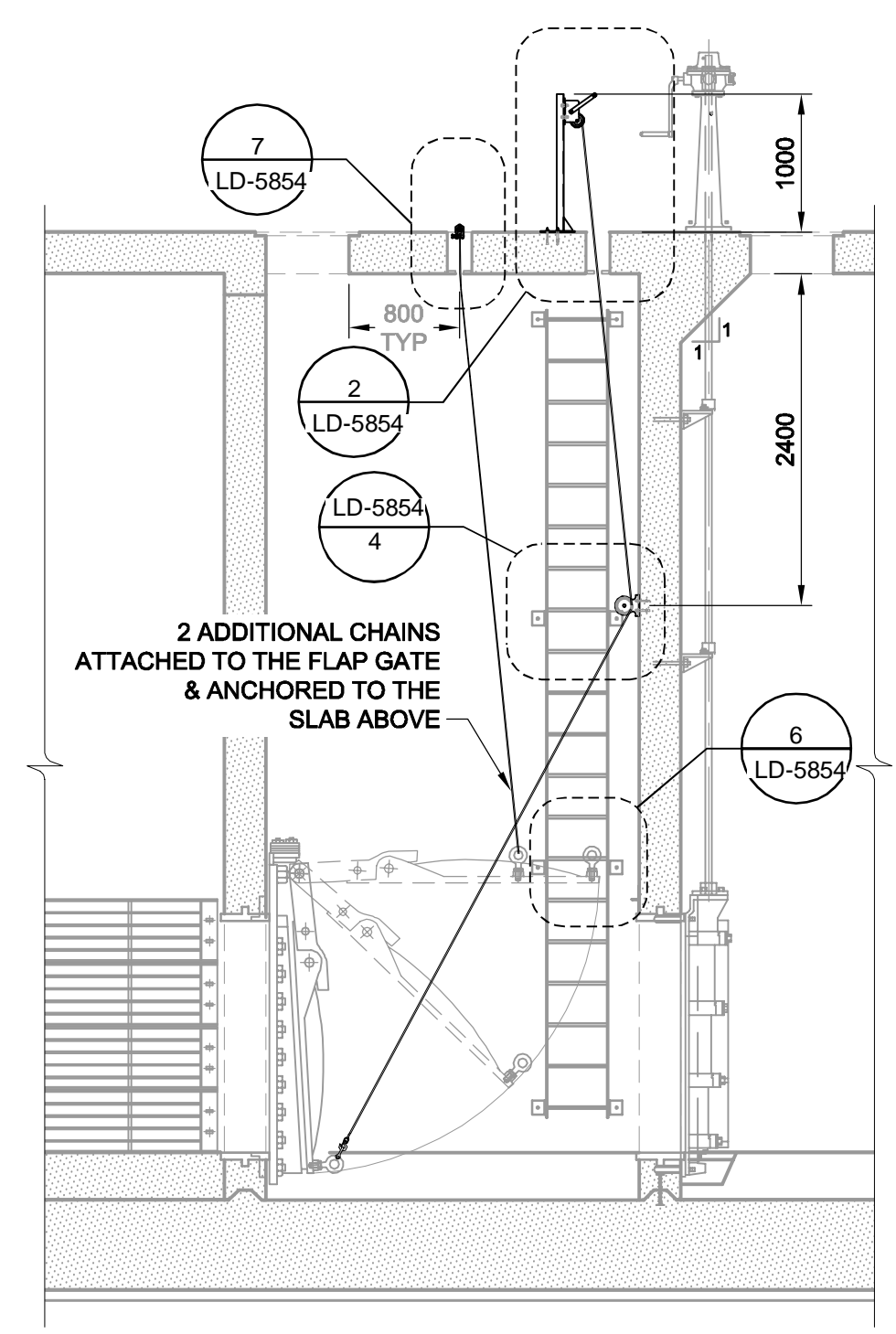
**7 | CHAIN RESTRAINT DETAIL**  
Scale 1:10



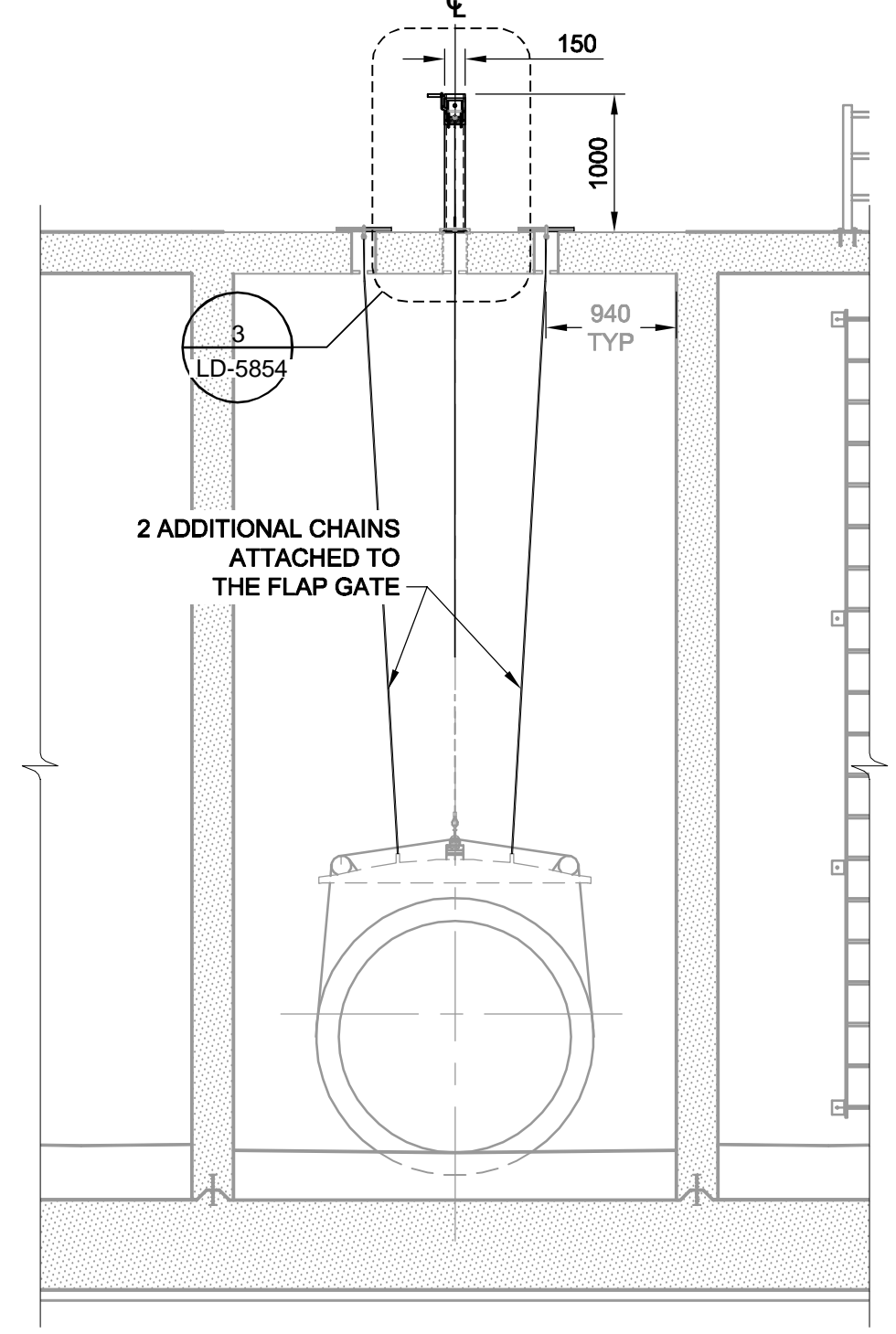
**5 | DETAIL**  
Scale 1:5



**6 | DETAIL**  
Scale 1:5



**C | SECTION**  
Scale 1:50



**D | SECTION**  
Scale 1:50



**METRIC**  
WHOLE NUMBERS INDICATE MILLIMETRES  
DECIMALIZED NUMBERS INDICATE METRES

NO.	REVISIONS	DATE	BY
1	ADDENDUM 1	12/08/16	KLC
0	ISSUED FOR CONSTRUCTION	12/07/27	WJd/KLC

<b>AECOM</b>			
DESIGNED BY	GGP	CHECKED BY	KK
DRAWN BY	GLG	APPROVED BY	BTW
HOR. SCALE	AS SHOWN	RELEASED FOR CONSTRUCTION	
VERT. SCALE	N/A		
DATE	12/07/30		

PROFESSIONAL'S SEAL  
ORIGINAL SIGNED BY:  
S. B. BISWANGER  
JULY 27, 2012  
CONSULTANT DRAWING NO.  
60221826-02-S-402-ROX.dwg

BID OPPORTUNITY NO. 587-2012

**THE CITY OF WINNIPEG**  
WATER & WASTE DEPARTMENT

**CONSTRUCTION OF FLOOD CONTROL STRUCTURE AT PEMBINA HIGHWAY & BEAUJOLAIS COULEE**

STRUCTURAL  
FLOOD CONTROL STRUCTURE  
WINCH, FLAP GATE & LIFTING DEVICE DETAILS

SHEET 15 OF 19  
CITY DRAWING NUMBER  
**LD-5854**  
REV 1