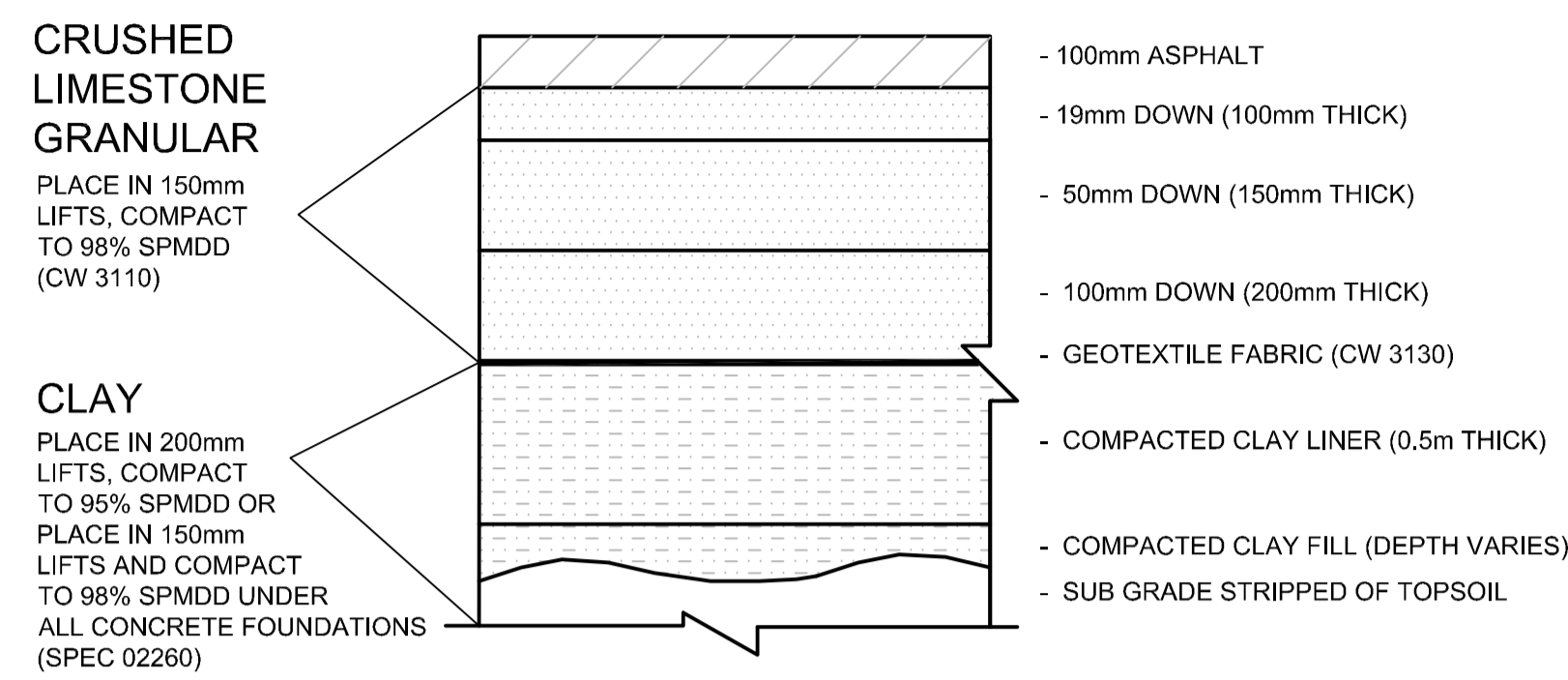
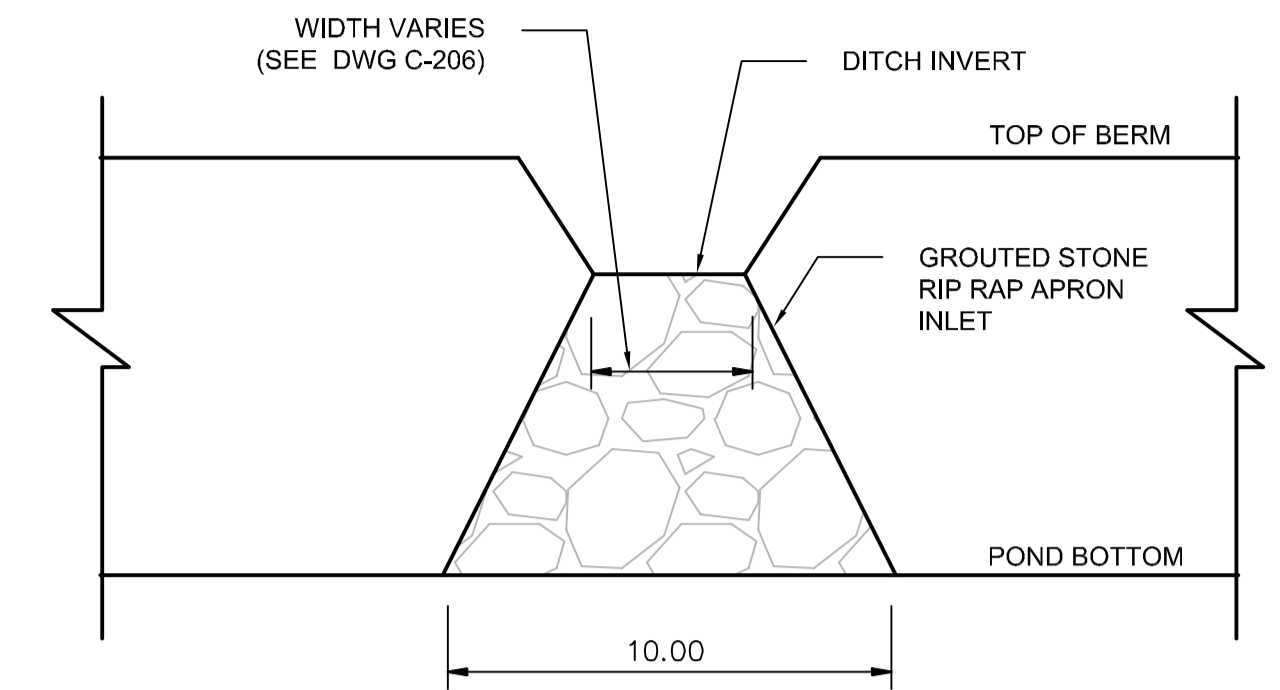


1 TYPICAL PAD/ROAD SECTION
NTS

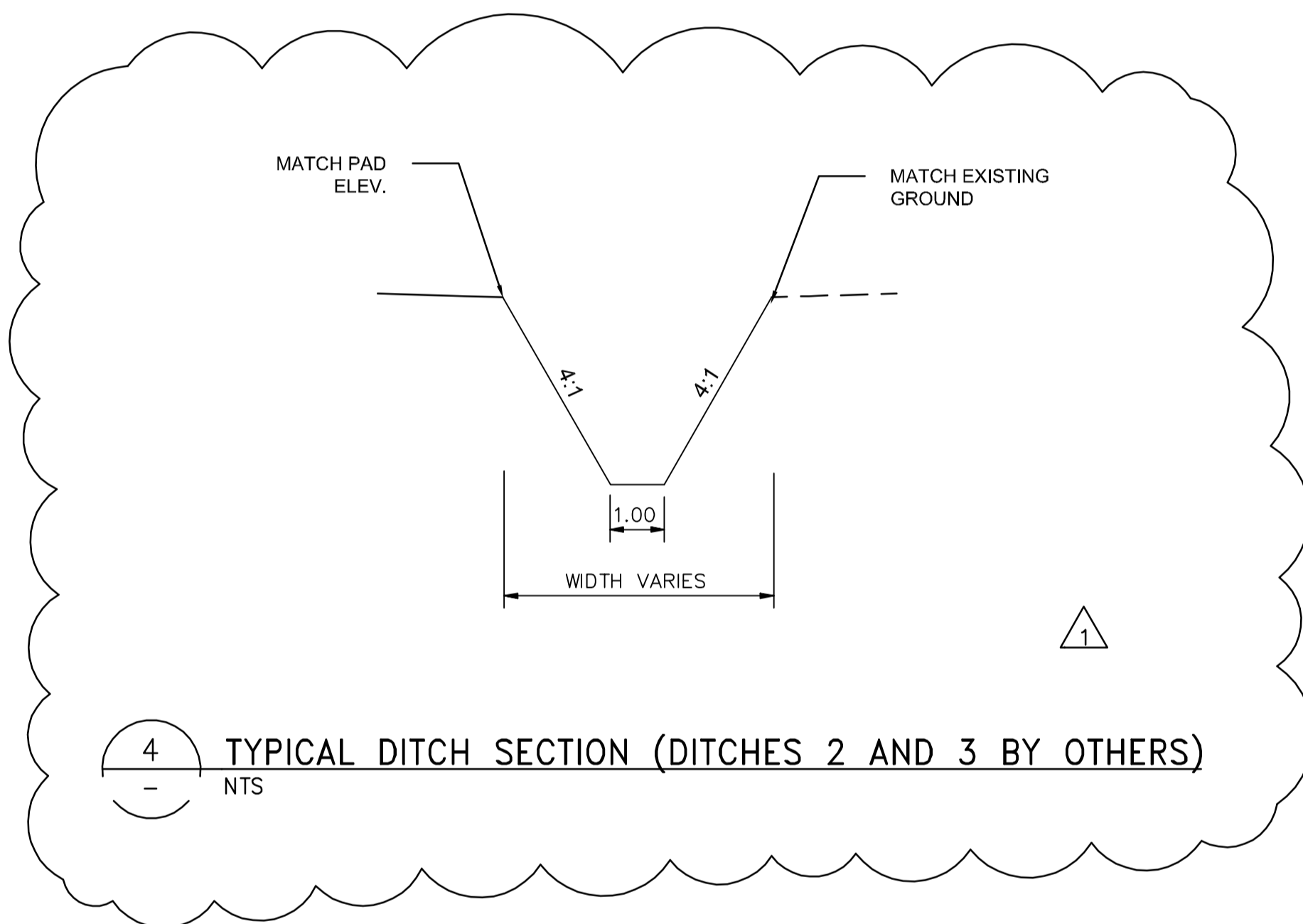


2 ASPHALT PAD SECTION
NTS

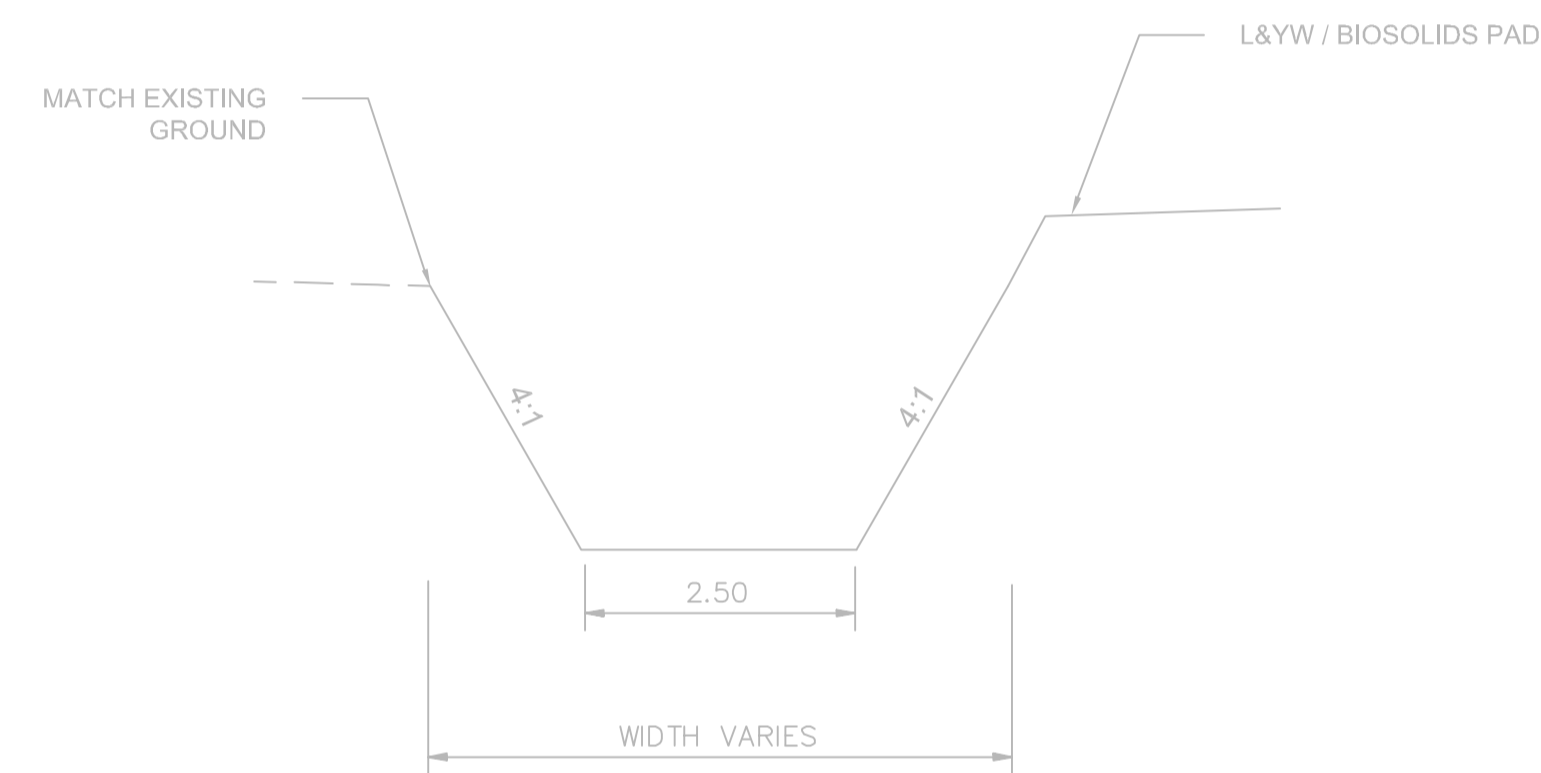


NOTE: RIP RAP IN ACCORDANCE WITH CW-3615

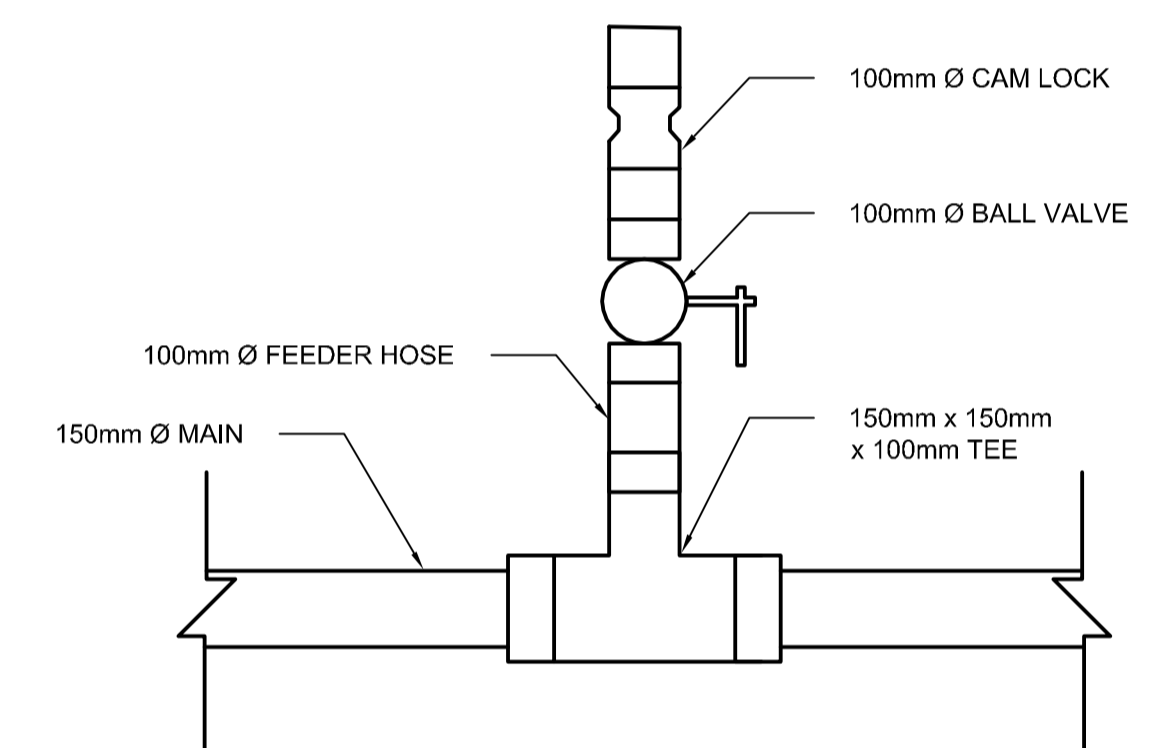
3 POND INLET DETAIL SECTION
NTS



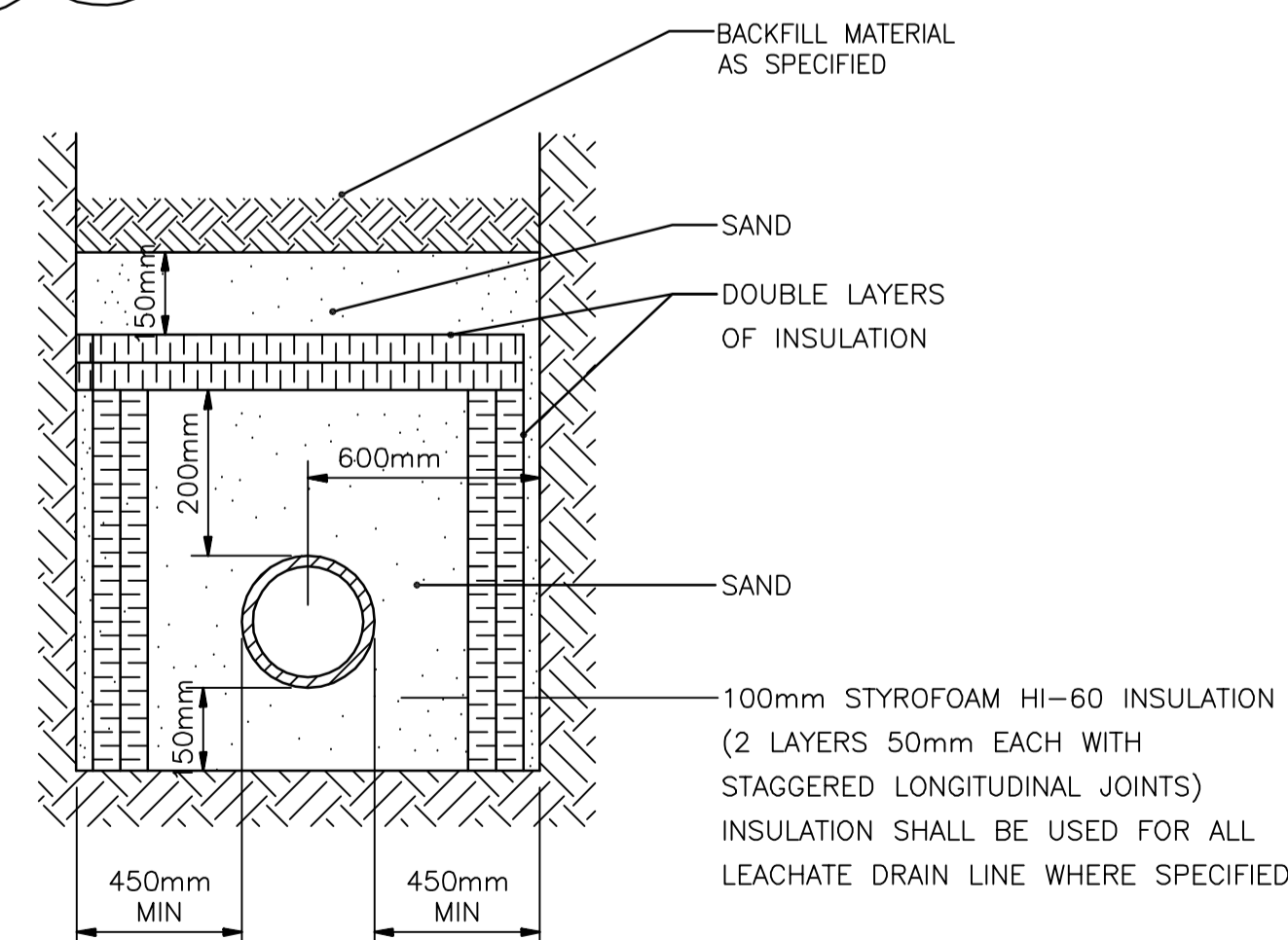
4 TYPICAL DITCH SECTION (DITCHES 2 AND 3 BY OTHERS)
NTS



5 TYPICAL DITCH SECTION (DITCH #1.5) (BY OTHERS)
NTS



6 IRRIGATION HOSE DETAIL
NTS



7 PIPE TRENCH INSTALLATION
NTS

B.M. ELEV.				CH2MHILL		ENGINEER'S SEAL		THE CITY OF WINNIPEG WATER AND WASTE DEPARTMENT ENGINEERING DIVISION BRADY ROAD RESOURCE MANAGEMENT FACILITY LEAF AND YARD WASTE AND PILOT BIOSOLIDS COMPOSTING CIVIL MISCELLANEOUS DETAILS		SHEET 15 OF 45	
CONSTRUCTION COMPLETION DATE: YYYY MM DD						DESIGNED BY: BW				CHECKED BY: BW	
				DRAWN BY: GH		APPROVED BY: BM		CONSULTANT DRAWING NUMBER: C-501		1-0400B-C0011-001-01	
1 ISSUED FOR ADDENDUM 3 13/03/04 JBC				SCALE: HORIZONTAL NTS		RELEASED FOR CONSTRUCTION					
0 ISSUED FOR CONSTRUCTION 13/01/25 GMH				VERTICAL NTS		DATE: 2013 01 25					
NO. REVISIONS				DATE		DATE					