

FILE NAME:

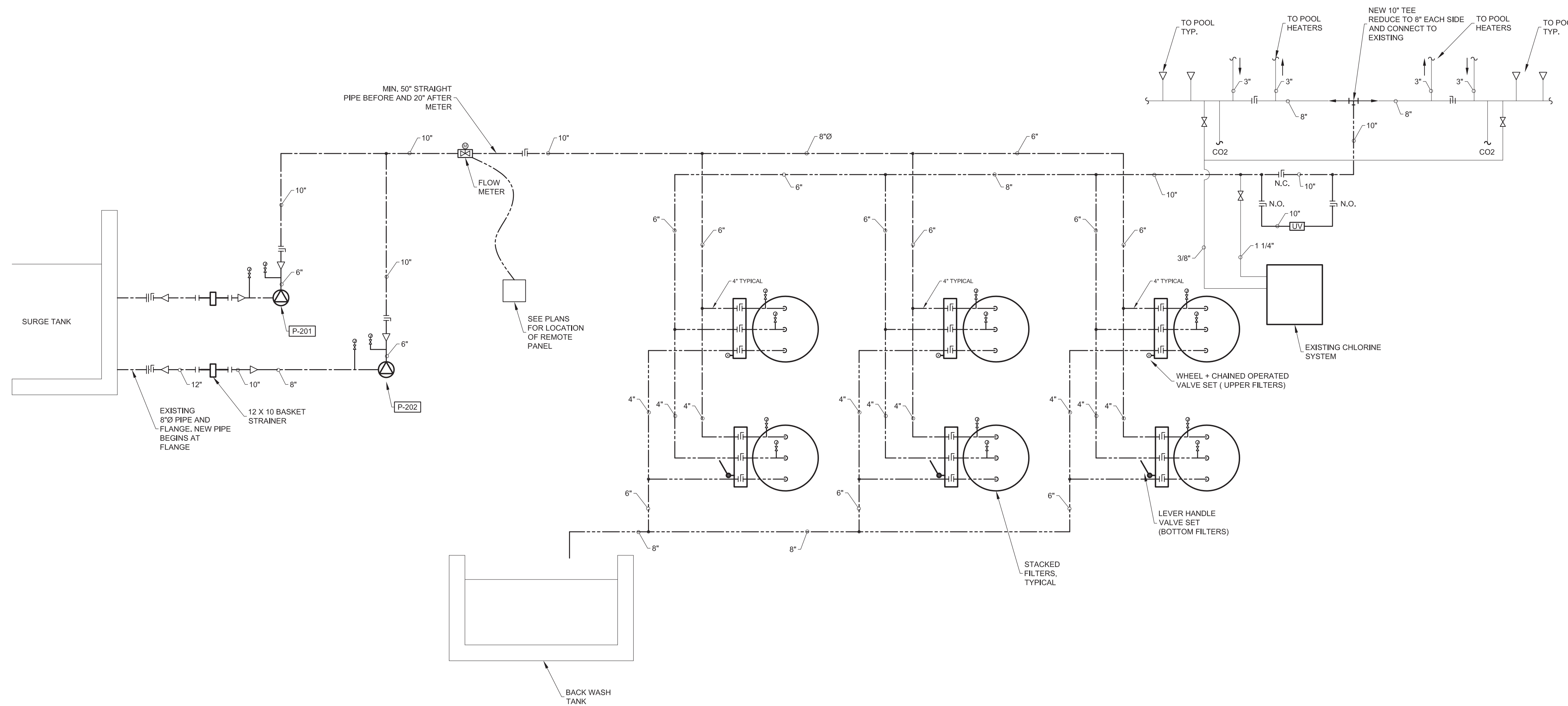
DATE: 2013.03.22

DESCRIPTION:

PROJECT No: 2012-140

ADDRESS: 999 SARGENT AVE.

NOTES :



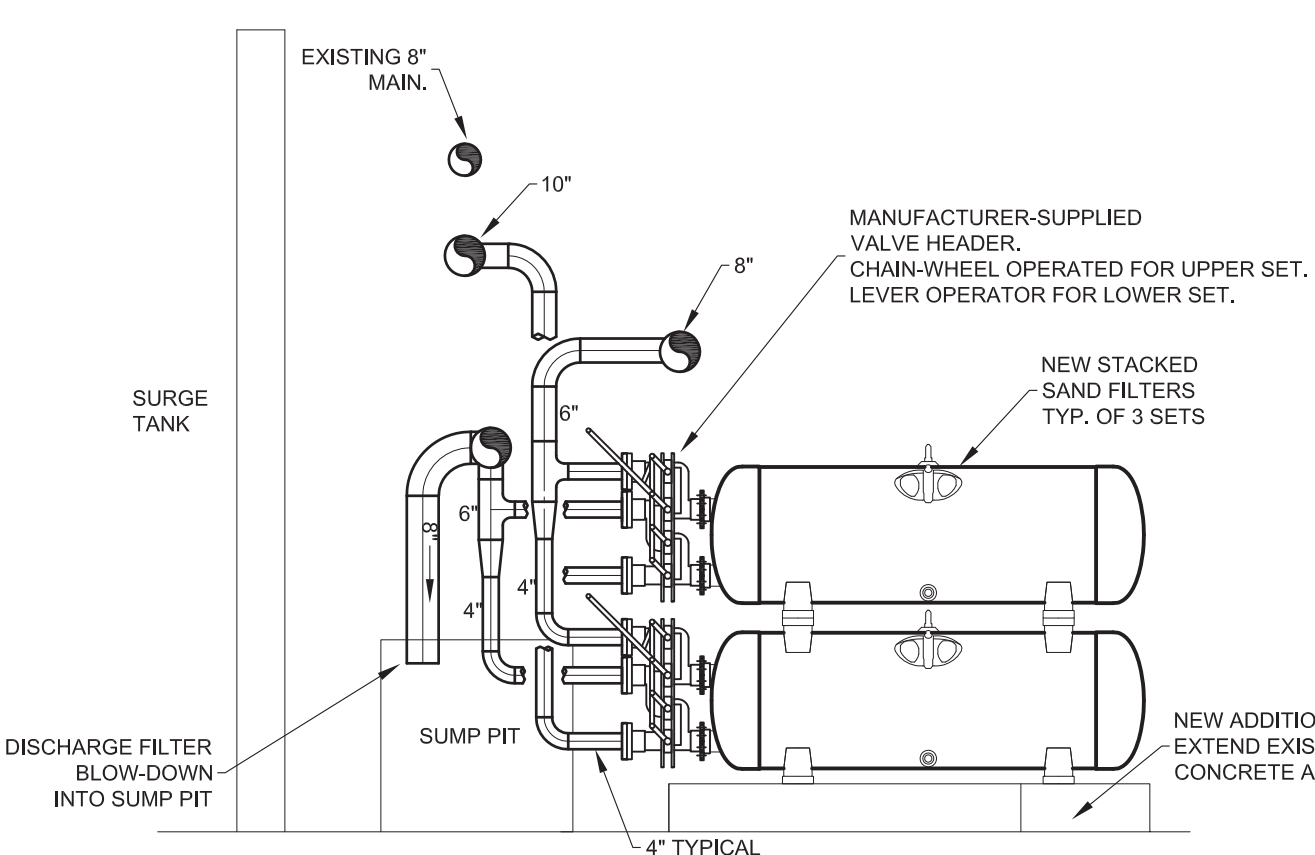
SYMBOLS LEGEND

	PIPE RISE
	PIPE DROP
	GENERIC ISOLATION VALVE
	FLOW METER
	BUTTERFLY VALVE
	FLANGE
	DIRECTION OF FLOW
	PRESSURE GAUGE
	CONCENTRIC & ECCENTRIC REDUCERS
	PUMP
	EQUIPMENT TAG
	GENERAL NOTE

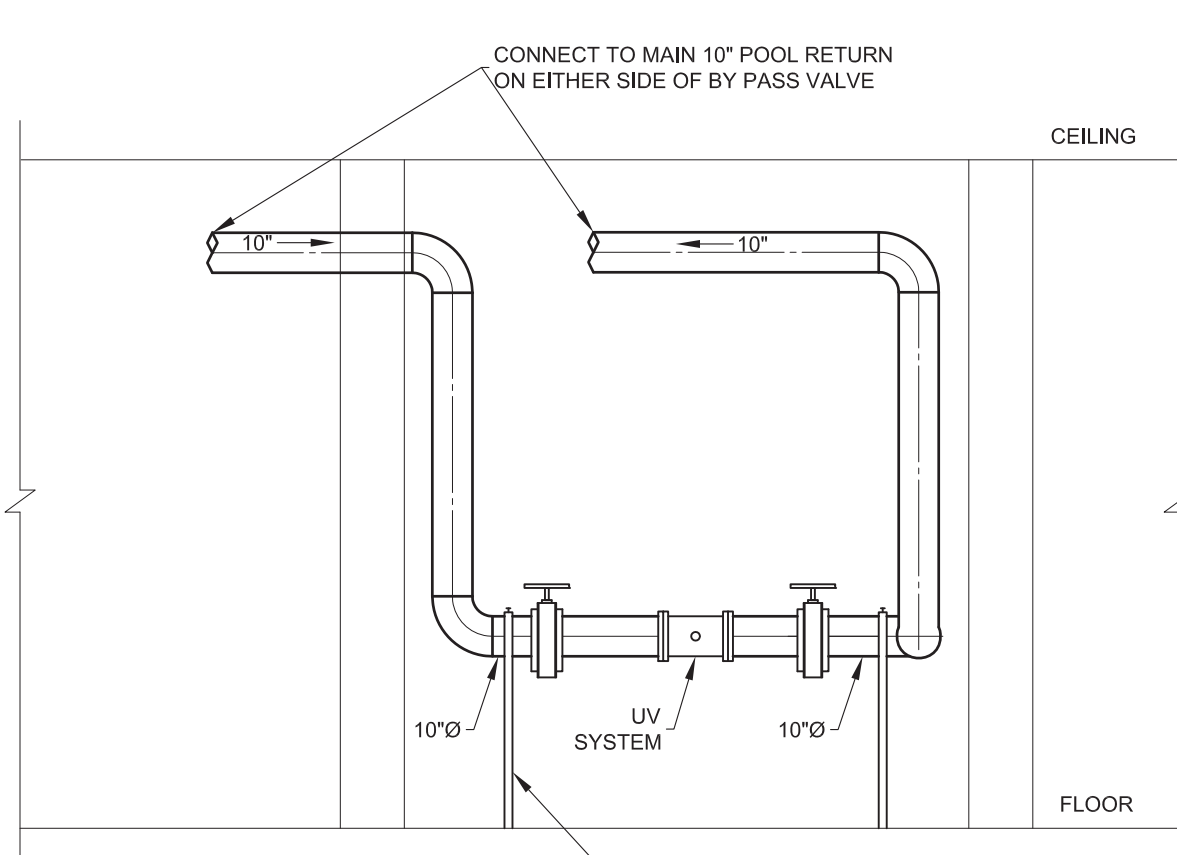
LINE TYPE LEGEND

	SUPPLY TO FILTERS
	RETURN TO POOL
	FILTER BACKWASH
	EXISTING PIPING
	CONTROL LINE

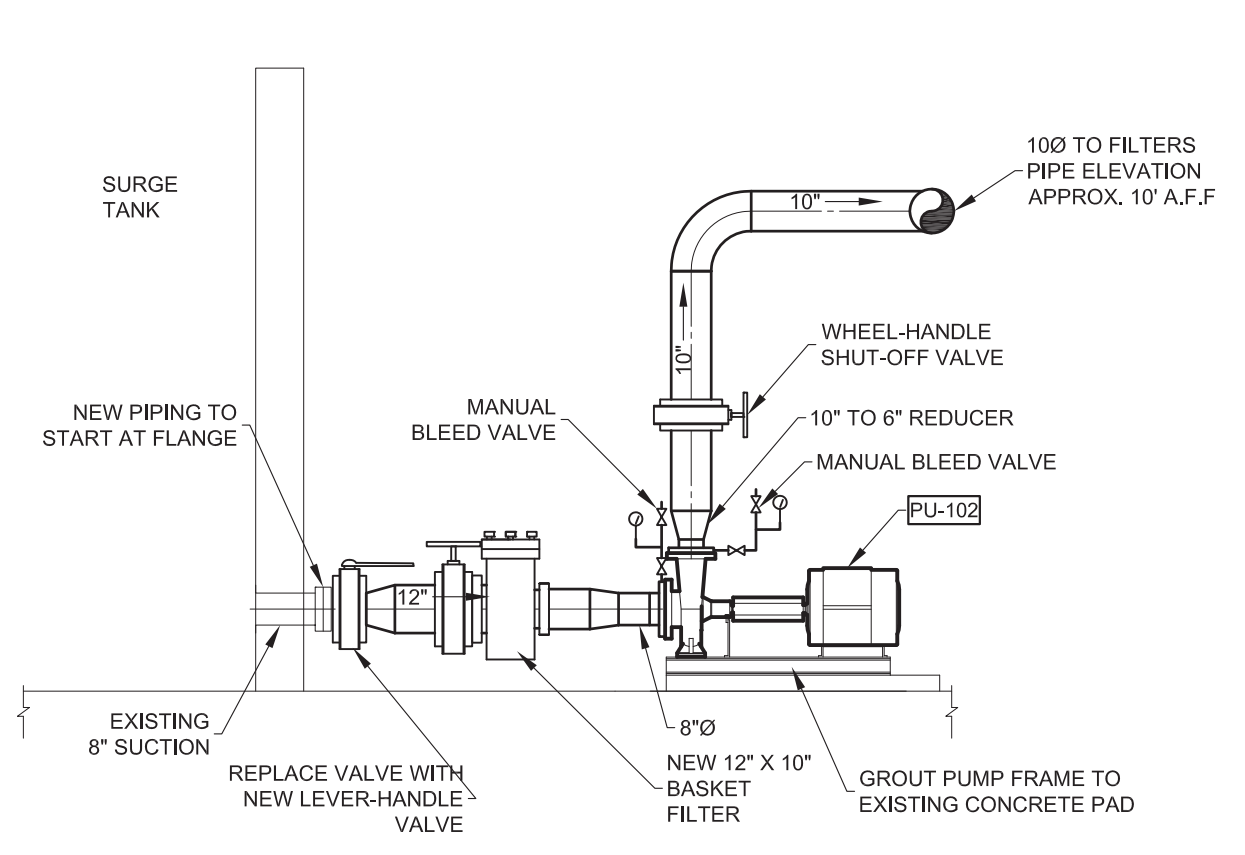
1 PIPING SCHEMATIC
M1.2 N.T.S.



2 SECTION AT FILTERS
M1.2 SCALE: 1/4" = 1' - 0"



3 SECTION AT UV FILTER
M1.2 SCALE: 1/4" = 1' - 0"



4 SECTION AT PUMPS
M1.2 SCALE: 1/4" = 1' - 0"

POOL PUMP SCHEDULE

MARK	MAKE/MODEL	PUMP TYPE	SIZE	FRAME	SERVES	FLOW	HEAD	NPSHr	MOTOR	VOLTAGE	SUCTION	DISCHARGE	NOTES
(based on)						gpm	ft	ft	HP		in	in	
P-101 & 102	B & G Series 1510	End Suction Base Mounted	6G	36STS	POOL & FILTERS	1750	120	9.99	75	575/3	8	6	1,2,3,4

1. Confirm voltage with electrical drawings.
2. Duty/Standby - Manual change over of pumps
3. Pumps for use with chlorinated pool water. Pump to be supplied with wetted parts coated with appropriate epoxy coating.
4. Electrical Division to provide soft-starters for each pump.



epp siepmann engineering inc.
mechanical engineers
305-100 Osborne St. South
Winnipeg, MB
R3L 1Y5
p 204.453.1080
f 204.453.1335
ese@eppsiepmann.com



NO.	REVISION/DESCRIPTION	BY	DATE
1	REVISED FOR ADDENDUM 1	DE	13.04.12
0	ISSUED FOR CONSTRUCTION	DE	13.03.22



DRAWN BY	DATE	CHECKED BY	DATE	APPROVED
DK	2013.03.22	USER APPROVAL		

CITY OF WINNIPEG
PLANNING, PROPERTY AND
DEVELOPMENT DEPARTMENT
MUNICIPAL ACCOMMODATIONS
DIVISION
185 KING ST., 4th FLOOR

PROJECT
WATER TREATMENT
PROCESS UPGRADES
BID OPPORTUNITY # 237-2013
999 SARGENT AVE.

SHEET TITLE
SCHEMATIC AND SECTIONS

SCALE	PROJECT NO.	SHEET NO.
AS NOTED	2012-140	M1.2

DRAWING SHEET SIZE: A1 (841mm x 594mm) PLOT 1:1