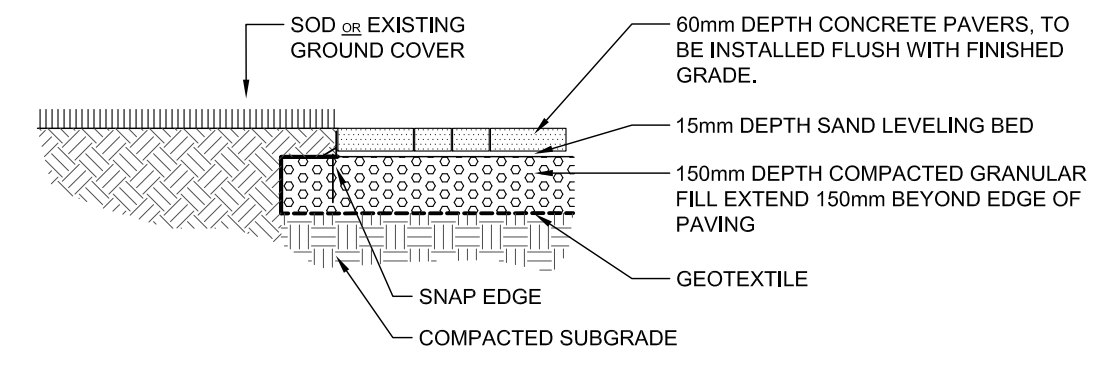
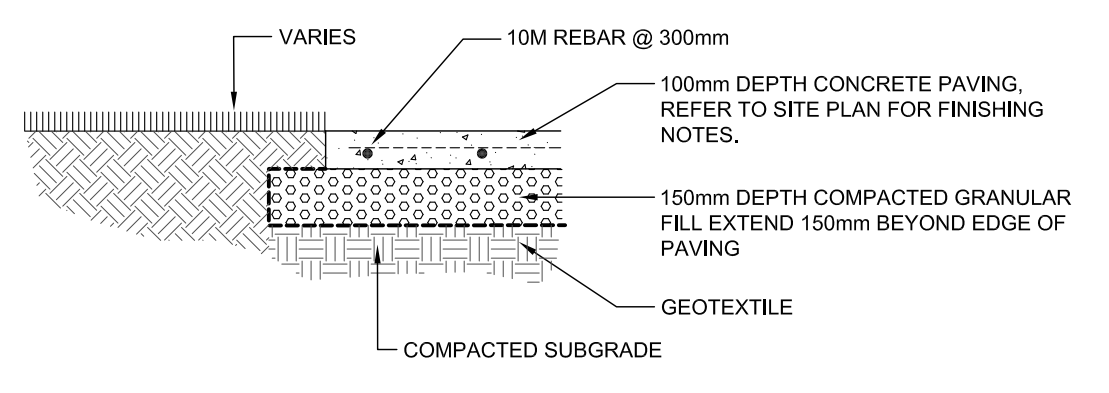


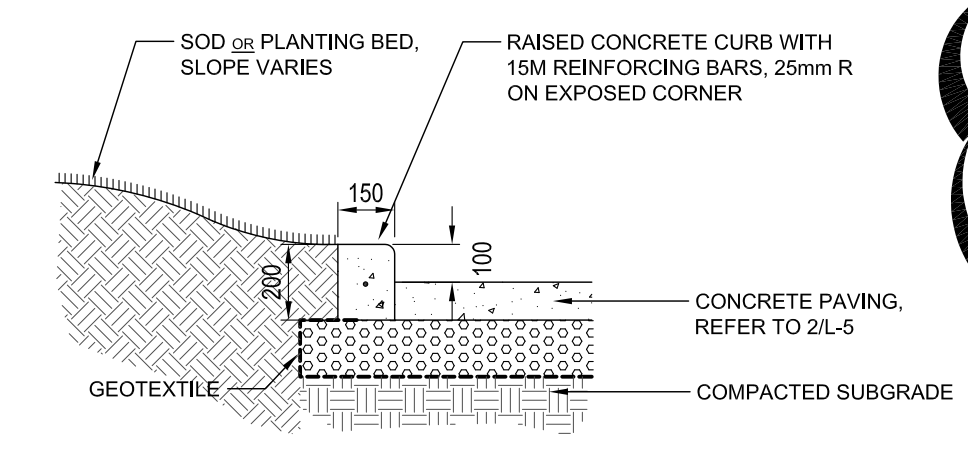
sheet size - Super A1 24" x 36" photo scale - 1:1 (metric) CAD File Name: to\_sbsa\_detailed\_design\_working\_binder\_1.dwg



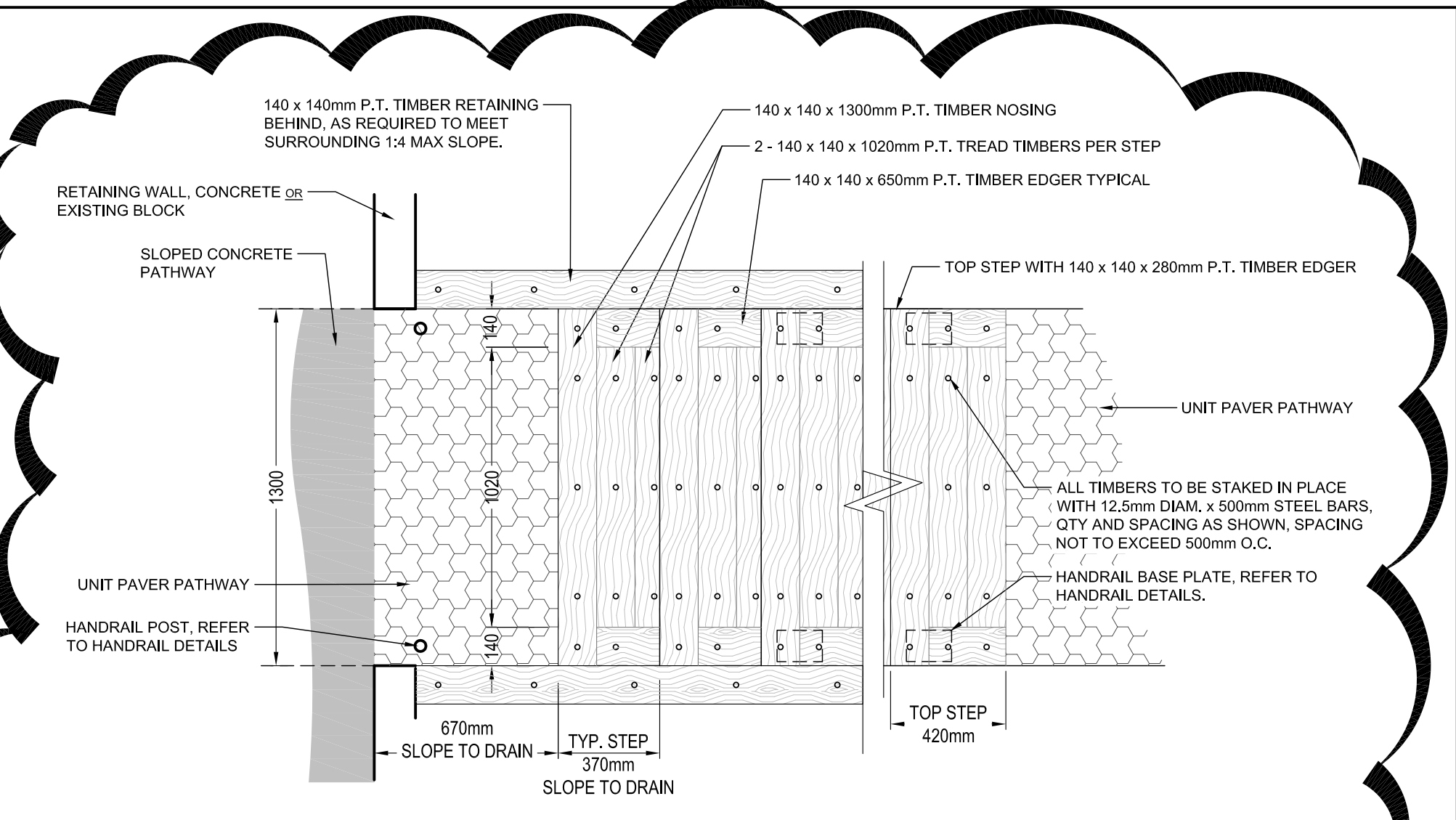
**1 UNIT PAVERS ON GRANULAR - TYP**  
L-05 SCALE - 1 : 20



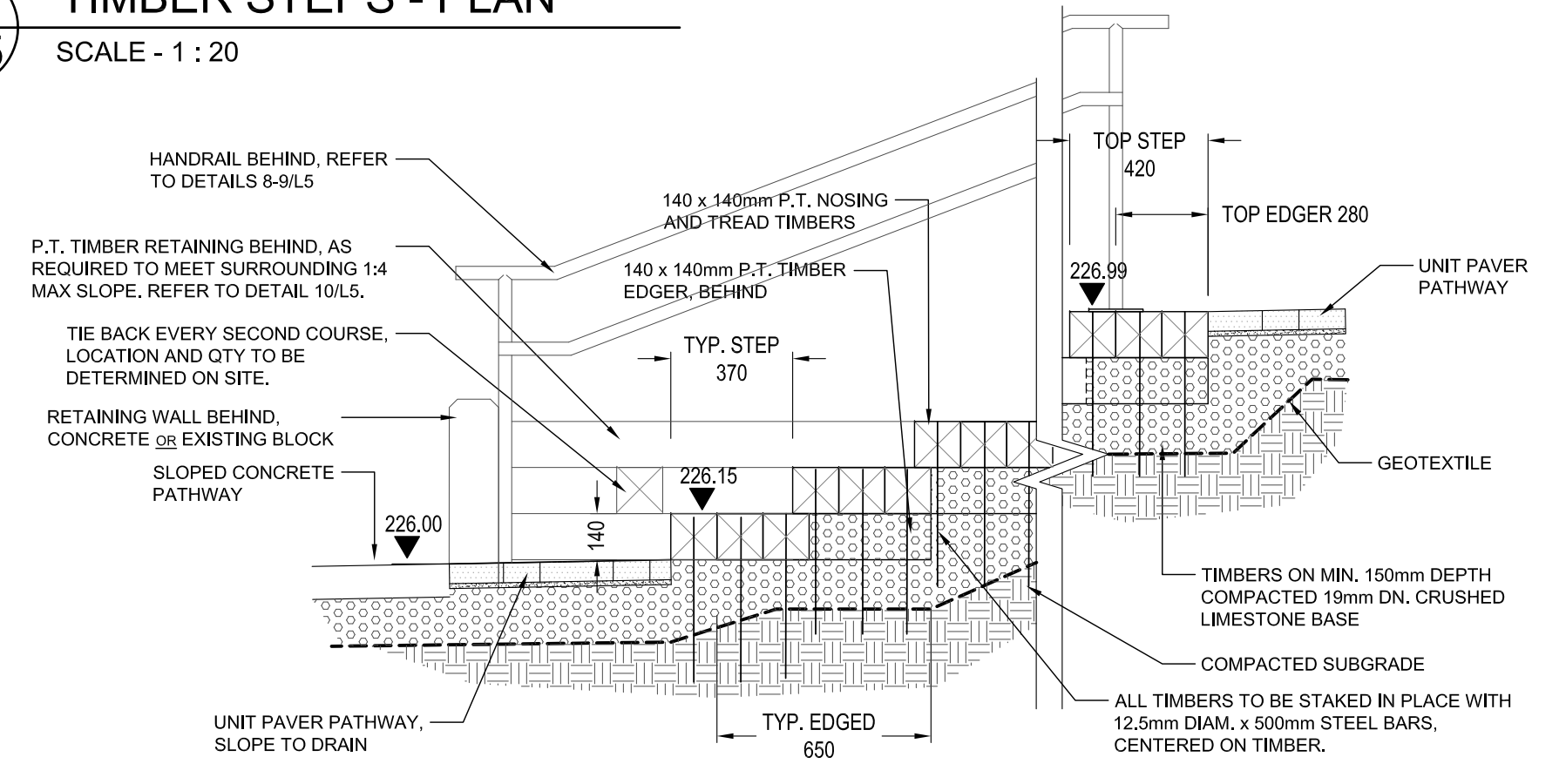
**2 CONCRETE PAVING - TYP**  
L-05 SCALE - 1 : 20



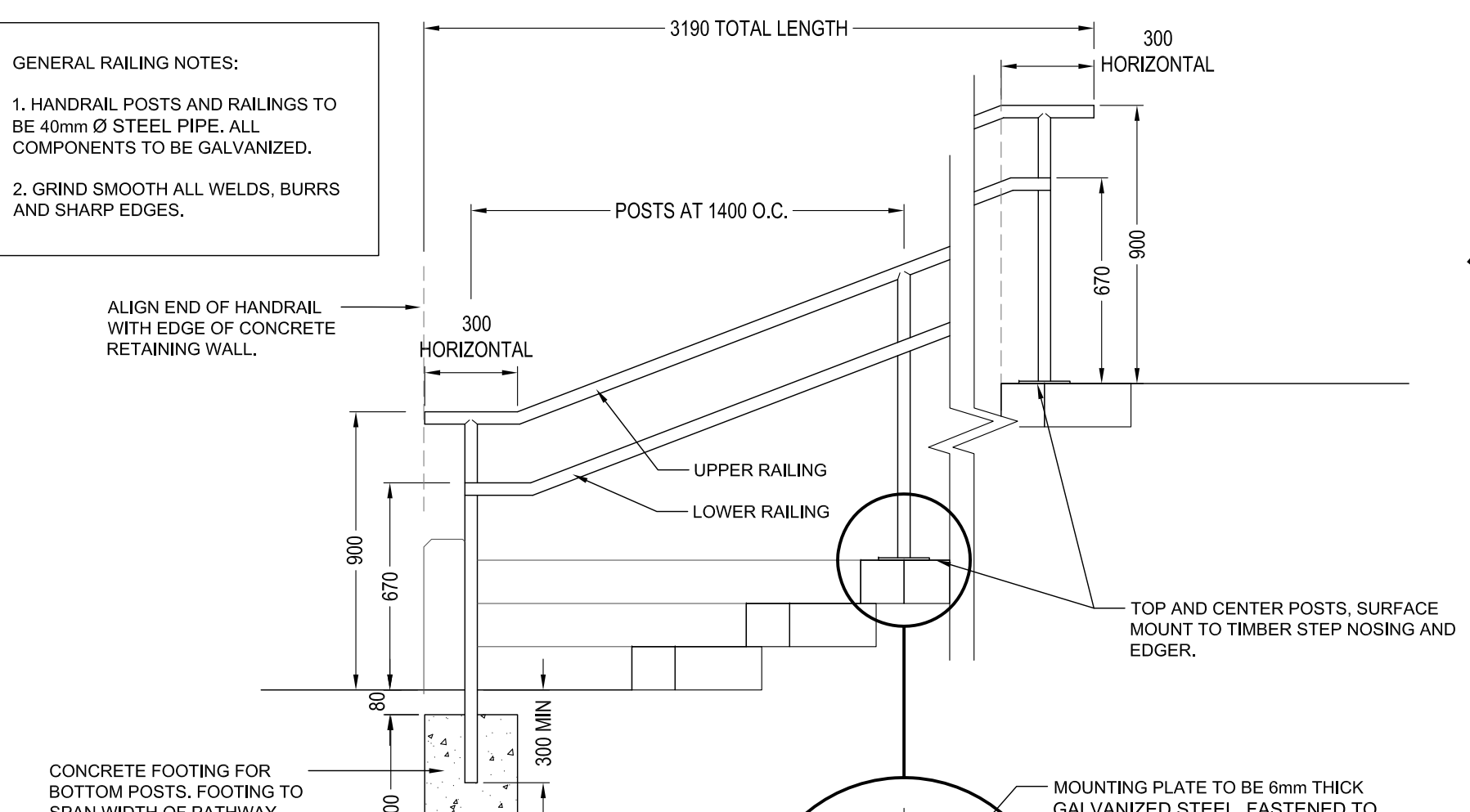
**3 RAISED CURB - TYP.**  
L-05 SCALE - 1 : 20



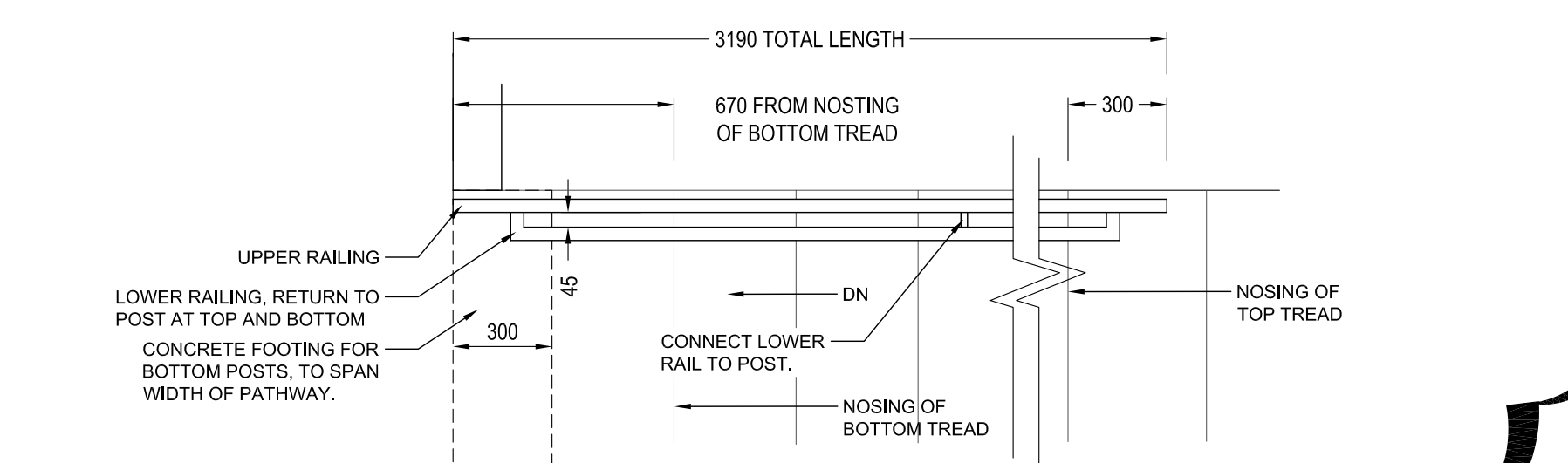
**6 TIMBER STEPS - PLAN**  
L-05 SCALE - 1 : 20



**7 TIMBER STEPS - SECTION**  
L-05 SCALE - 1 : 20

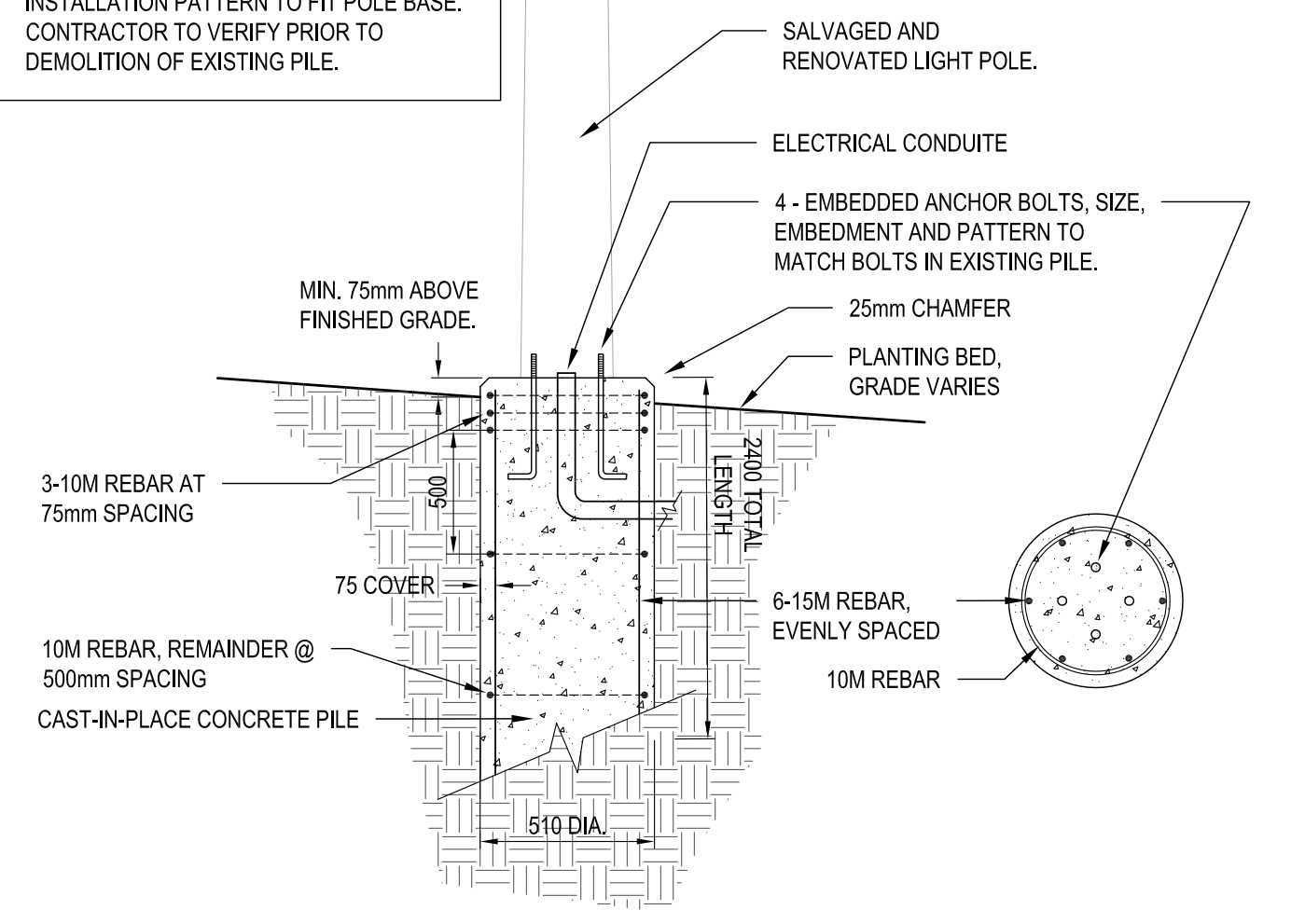


**8 HAND RAIL - ELEVATION**  
L-05 SCALE - 1 : 20



**9 HAND RAIL - PLAN**  
L-05 SCALE - 1 : 20

**PILE AND POLE INSTALLATION NOTES:**  
1. ANCHOR BOLT DIAMETER AND INSTALLATION PATTERN TO FIT POLE BASE. CONTRACTOR TO VERIFY PRIOR TO DEMOLITION OF EXISTING PILE.



**4 LIGHT PILE**  
L-05 SCALE - 1 : 20

**CONCRETE RETAINING WALL - SPECIFICATION**

**REINFORCING STEEL:**

- REINFORCING STEEL TO BE NEW DEFORMED BILLET STEEL BARS CONFORMING TO CSA G30.18 (LATEST), GRADE TO BE 400 MPa.
- REINFORCING STEEL SHALL BE CLEAN, FREE OF RUST, DIRT, LOOSE SCALE, OIL, GREASE OR ANY OTHER MATERIAL WHICH WOULD REDUCE BOND WITH THE CONCRETE.
- SUBMIT SHOP DRAWINGS WHICH CLEARLY INDICATE BAR SIZES, SPACINGS, LOCATIONS & QUANTITIES OF REINFORCING STEEL, BENDING & CUTTING SCHEDULES, SUPPORTING & SPACING DEVICES, ETC. FOR REVIEW PRIOR TO FABRICATION. DETAIL, FABRICATE AND PLACE REINFORCING IN ACCORDANCE WITH CSA A23.1 (LATEST), CSA A23.3 (LATEST) AND ACI SP-66 (LATEST) UNLESS NOTED. LAP STEEL 36 BAR DIAMETERS (MINIMUM) UNLESS NOTED.
- BEND ALL HORIZONTAL REINFORCING 305mm AROUND CORNERS OR PROVIDE ADDITIONAL 610mm X 610mm ANGLE BARS.
- PROVIDE MINIMUM CONCRETE COVER FOR REINFORCING STEEL AS FOLLOWS:

FOOTINGS	75mm
FOUNDATION WALLS	38mm

**CONCRETE:**

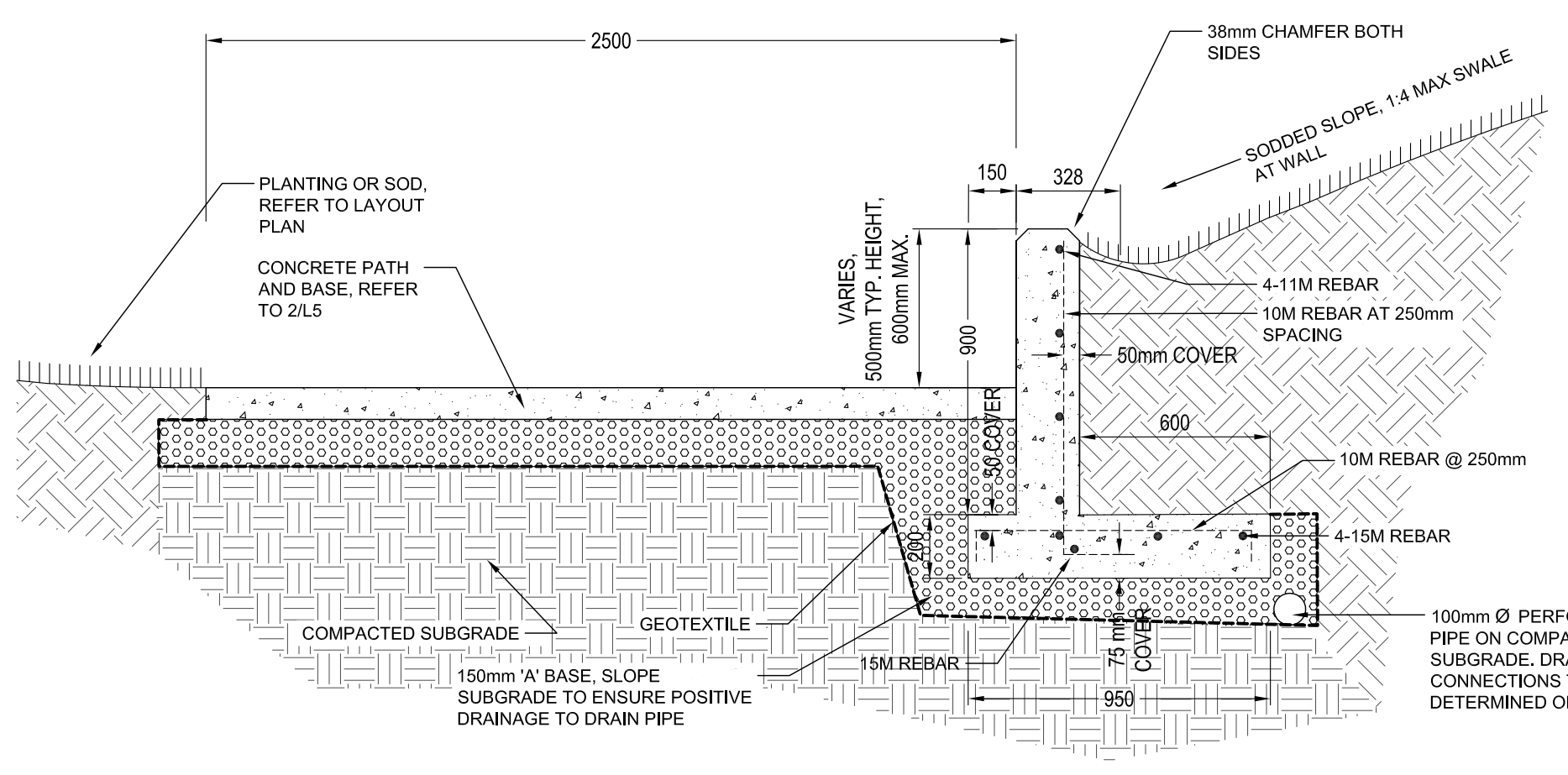
- CONCRETE MATERIALS AND WORKMANSHIP SHALL BE IN ACCORDANCE WITH CSA A23.1 (LATEST). SEE BELOW FOR MIX REQUIREMENTS.
- ADMIXTURES SHALL NOT BE USED UNLESS SPECIFIED HEREIN OR APPROVED BY THE DESIGN ENGINEER. CALCIUM CHLORIDE SHALL NOT BE USED.
- MIX WATER SHALL BE POTABLE.
- DESIGN, FABRICATE AND ERECT FORMWORK/SHORING IN ACCORDANCE WITH CAN/CSA-S269.3 (LATEST). ALLOW SUFFICIENT CONCRETE CURING TIME PRIOR TO REMOVAL.
- FORM RELEASE AGENT SHALL BE BIODEGRADABLE, NON-STAINING AND NON-VOLATILE.
- PROVIDE ADEQUATE COLD/HOT WEATHER PROTECTION AS REQUIRED DURING CURING PERIOD.
- ALL EXPOSED CORNERS TO HAVE 25mm CHAMFER FILLET UNLESS NOTED.
- THE CONCRETE SUPPLIER SHALL BE CERTIFIED TO MEET THE REQUIREMENTS OF CSA A23.1.
- THE CONCRETE SUPPLIER SHALL SUBMIT CONCRETE MIX DATA SUBMISSION FORMS FOR EACH TYPE OF CONCRETE SPECIFIED FOR REVIEW PRIOR TO BATCHING ANY CONCRETE.

**CONCRETE MIX DESIGNS:**

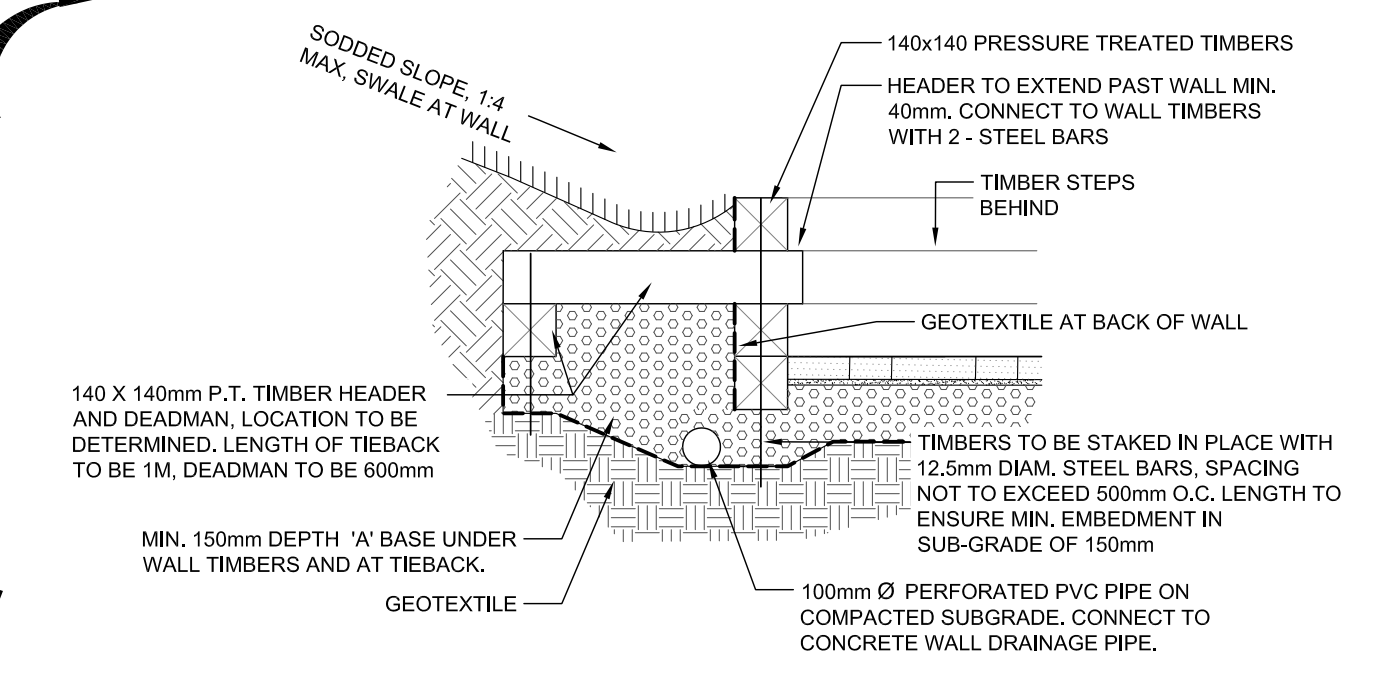
CONCRETE MIX DESIGN SHALL BE PROPORTIONED TO MEET THE FOLLOWING PERFORMANCE REQUIREMENTS:

**RETAINING WALLS:**

EXPOSURE CLASS	S-2
MIN. 28 DAY COMP. STRENGTH	30 MPa
MIN. 56 DAY COMP. STRENGTH	32 MPa
CEMENT TYPE	HS
MAX. W/C RATIO	0.45
MAX. AGGREGATE SIZE	20mm
ENTRAINED AIR CONTENT	4%-7%



**5 CONCRETE RETAINING WALL AT SLOPED PATHWAY - TYP.**  
L-05 SCALE - 1 : 20



**10 TIMBER RETAINING WALL**  
L-05 SCALE - 1 : 20

NOTES:

**TENDER SET NOT FOR CONSTRUCTION**

REV	YY / MM / DD	DESCRIPTION	BY
1	13 / 08 / 07	TENDER - ADDENDUM 1	DKM
0	13 / 07 / 30	ISSUED FOR TENDER	DKM
0	13 / 07 / 05	ISSUED FOR CITY REVIEW	DKM

A. SECTION LETTER OR DETAIL NUMBER, B. DRAWING WHERE SECTION OR DETAIL IS DRAWN, OR A. DRAWING WHERE SECTION OR DETAIL IS INDICATED, - SECTION OR DETAIL SHOWN ON SAME DRAWING.

**SCATLIFF + MILLER + MURRAY Inc.**  
TEL 204 927-3444 FAX 204 927-3443 1120 - 201 PORTAGE AVENUE WINNIPEG, MB, CANADA

CLIENT: CITY OF WINNIPEG  
PROJECT: PEGUIS PAVILION LANDSCAPING  
TITLE: DETAILS

DESIGN	DRAWN	DATE - Y / M / D	SCALE
JW / AH	AH	13/07/05	AS NOTED
CHECKED	APPROVED	JOB NO.	DRAWING NO.
DKM	DKM	12-0107-002	L-05