

GENERAL NOTES:

1. ALL DIMENSIONS ARE IN MILLIMETERS UNLESS OTHERWISE NOTED. ALL ELEVATIONS ARE IN METERS AND ARE TO GEODETIC DATUM. THE CONTRACTOR SHALL VERIFY DIMENSIONS BEFORE BEGINNING CONSTRUCTION AND REPORT DISCREPANCIES TO THE CONTRACT ADMINISTRATOR BEFORE PROCEEDING WITH THE WORK. DO NOT SCALE THE DRAWINGS.
2. DISCREPANCIES OR AMBIGUITIES ON THE DRAWINGS AND/OR SITE, WHICH AFFECT THE STRUCTURAL FRAMING, SHALL BE REPORTED TO THE CONTRACT ADMINISTRATOR.
3. THE CONTRACTOR SHALL VERIFY THE LOCATION OF ALL EXISTING UNDERGROUND SERVICES PRIOR TO START OF CONSTRUCTION.
4. THE CONTRACTOR SHALL BE RESPONSIBLE FOR THE DESIGN AND INSTALLATION OF ALL NECESSARY SHORING, BRACING AND FORMWORK. FORM WORK FOR NEW CONSTRUCTION SHALL BE BRIDGED OVER EXISTING SERVICES. PROCEDURE MUST BE APPROVED BY ENGINEER.
5. NOTIFY ENGINEER AT LEAST 48 HOURS PRIOR TO ALL CONCRETE POURS AND/OR INSTALLATION OF INTERIOR SHEATHING/FORMING, TO ALLOW FOR SITE REVIEWS. ALL CONCRETE WORK TO CSA A23.1 (LATEST).

CONCRETE NOTES:

1. ALL CONCRETE WORK TO CSA A23.1 (LATEST). TEST CONCRETE TO CSA A23.2 (LATEST).
2. CONCRETE SHALL MEET THE FOLLOWING REQUIREMENTS:

MIX TYPE	INTENDED APPLICATION	MINIMUM COMPRESSIVE STRENGTH (MPa)	CSA EXPOSURE CLASS	CONCRETE COVER TO REINFORCING STEEL (mm)
2	STRUCTURAL CONCRETE FOR BASE SLAB	35	S-1	50 TOP 75 BOTTOM

3. FORMWORK AND FALSEWORK SHALL BE COMPLETED BY A PROFESSIONAL ENGINEER REGISTERED IN THE PROVINCE OF MANITOBA. SUBMIT TO ENGINEER FOR REVIEW.

REINFORCING STEEL NOTES:

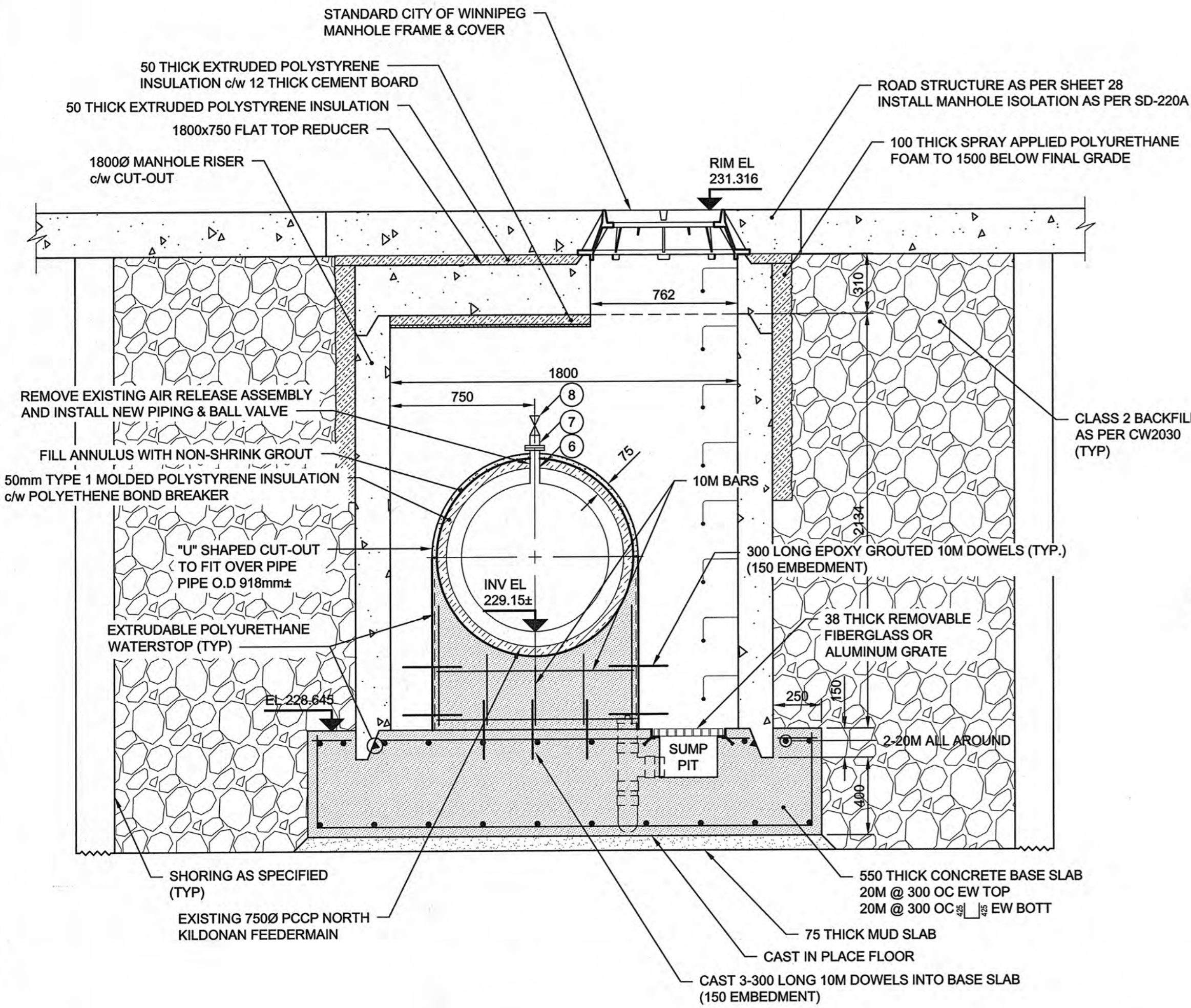
1. REINFORCING STEEL: NEW DEFORMED BARS TO CSA G30.18 "BILLET STEEL BARS FOR CONCRETE REINFORCEMENT", WITH MIN 400 MPa YIELD STRENGTH.
2. DEFORMED BARS CONFORMING TO CSA G30.18, GRADE 400. LAP SPLICES AS PER CSA A23.3.
3. REINFORCING WORK SHALL BE IN ACCORDANCE WITH CSA A23.1 AND CSA A23.3.

SHORING NOTES:

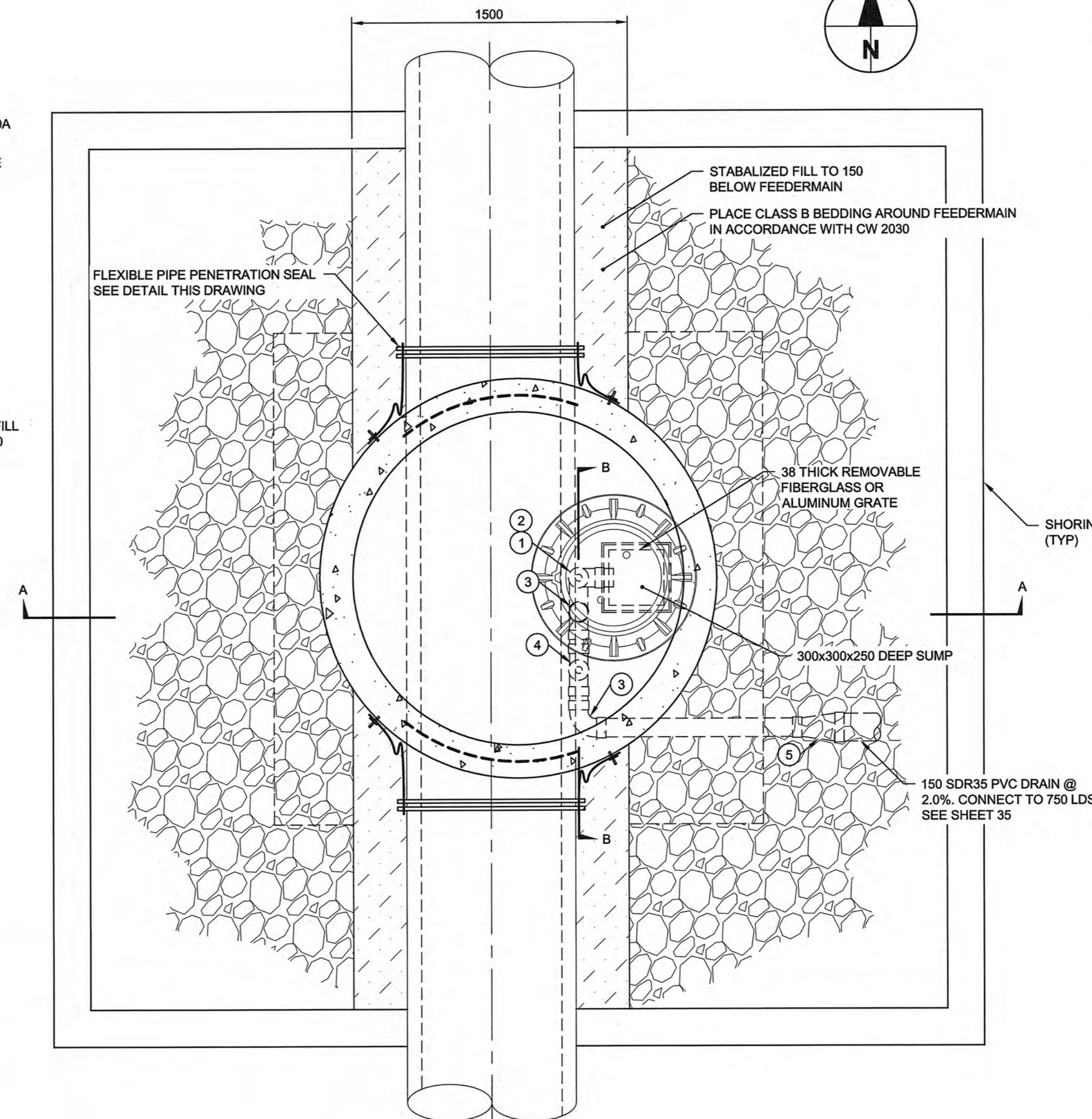
1. LOCATION & ELEVATION OF EXISTING FEEDERMAIN TO BE CONFIRMED PRIOR TO EXCAVATION & INSTALLATION OF SHORING.
2. CONTRACTOR TO ENSURE EXISTING BEDDING AROUND THE FEEDERMAIN IS NOT DISTURBED DURING EXCAVATION & INSTALLATION/REMOVAL OF SHORING.
3. CONTRACTOR TO SUBMIT SHOP DRAWINGS FOR THE SHORING AS SPECIFIED.

PIPING NOTES:

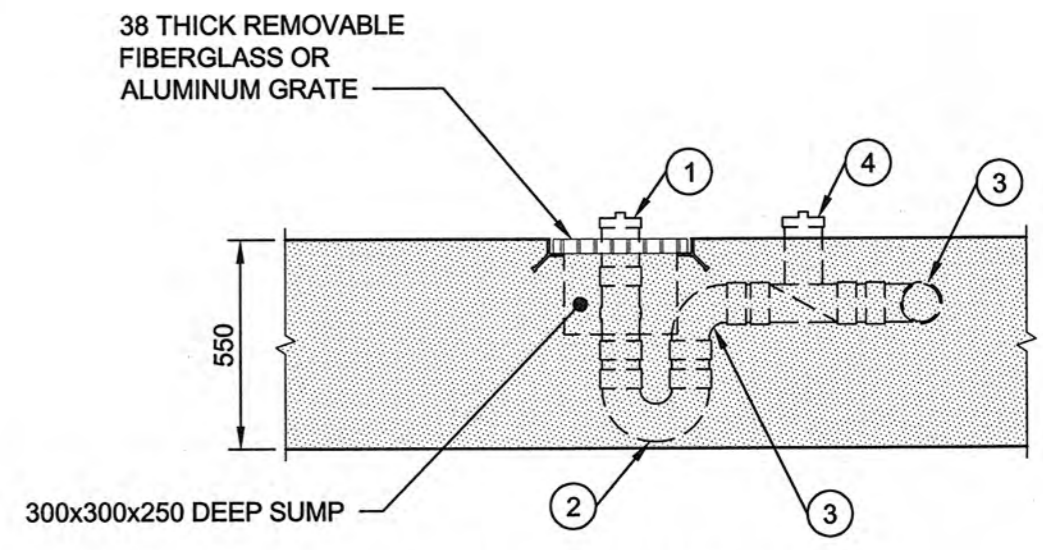
1. ALL EXPOSED STEEL TO BE COATED AS SPECIFIED.



A SECTION

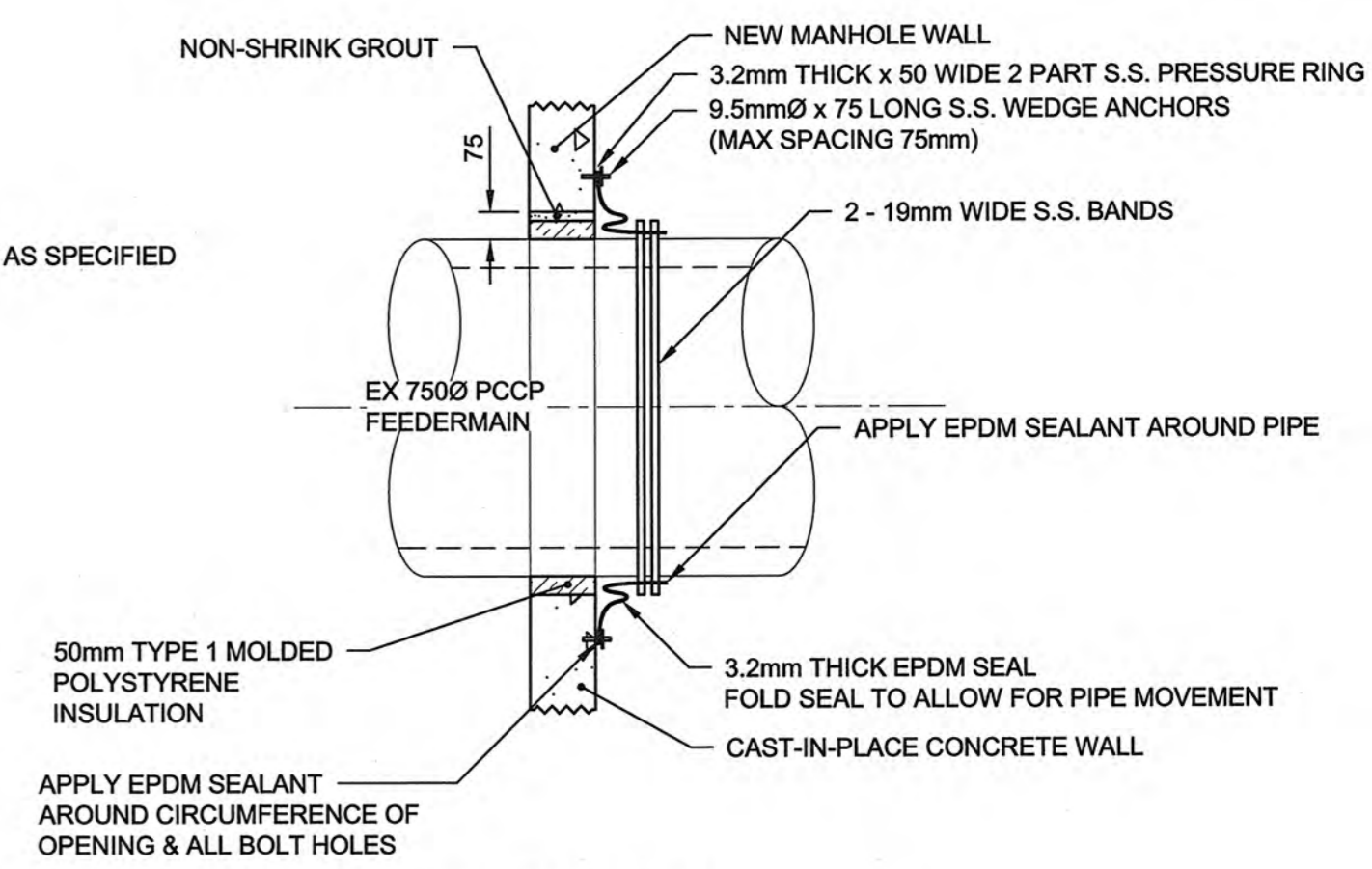


PLAN
MOLSON STREET STA. 0+513.60



B SECTION

MATERIAL LIST	
1	100 TEE/CLEANOUT C/W THREADED CAP
2	100 P-TRAP
3	100 90° BEND
4	100 BACK FLOW VALVE C/W THREADED CAP
5	150x100 REDUCER
6	32 THREADED STEEL NIPPLE C/W COMPANION FLANGE
7	32 THREADED BRASS NIPPLE C/W COMPANION FLANGE AND ISOLATION KIT
8	32 THREADED BRASS BALL VALVE



1 DETAIL
FLEXIBLE PIPE PENETRATION SEAL

WARNING

IF POWER EQUIPMENT OR EXPLOSIVES ARE TO BE USED FOR EXCAVATION ON THIS PROJECT, THE CONTRACTOR MUST:
 1) NOTIFY THE GAS COMPANY OF THE PROPOSED LOCATION OF EXCAVATION.
 2) TAKE PRECAUTION TO AVOID DAMAGE TO GAS COMPANY INSTALLATIONS.
 SEE PROVINCIAL REGULATION 140/92 FOR DETAILS.

LOCATION APPROVED
UNDERGROUND STRUCTURES

SUPR. U/G STRUCTURES DATE COMMITTEE
 NOTE:
 LOCATION OF UNDERGROUND STRUCTURES AS SHOWN ARE BASED ON THE BEST INFORMATION AVAILABLE. BUT NO GUARANTEE IS GIVEN THAT ALL EXISTING UTILITIES ARE SHOWN OR THAT THE GIVEN LOCATIONS ARE EXACT. CONFIRMATION OF EXISTENCE AND EXACT LOCATION OF ALL SERVICES MUST BE OBTAINED FROM THE INDIVIDUAL UTILITIES BEFORE PROCEEDING WITH CONSTRUCTION.

NO.	REVISIONS	DATE	BY
0	ADDENDUM No. 1	14/01/08	ADL

AECOM

DESIGNED BY: ADB
 CHECKED BY: [Signature]
 DRAWN BY: ADL
 APPROVED BY: [Signature]
 HOR. SCALE: 1:20
 VERT. SCALE: N/A
 RELEASED FOR CONSTRUCTION
 DATE: _____

PROFESSIONAL'S SEAL
 PROVINCE OF MANITOBA
 A.D. BRAUN
 Member 24453
 CONSULTANT DRAWING NO.
 60287267-SHT-00-0000-C-0001

THE CITY OF WINNIPEG
 Winnipeg PUBLIC WORKS DEPARTMENT

PANET ROAD/MOLSON STREET RECONSTRUCTION AND TWINNING

AIR RELEASE CHAMBER

CITY DRAWING NUMBER: P-3350-46
 SHEET: 46 OF 46
 DRAWING No.: 46
 REV: 0

CONTRACTOR: AECOM
 PROJECT: AIR RELEASE CHAMBER
 DATE: Jan 8/14