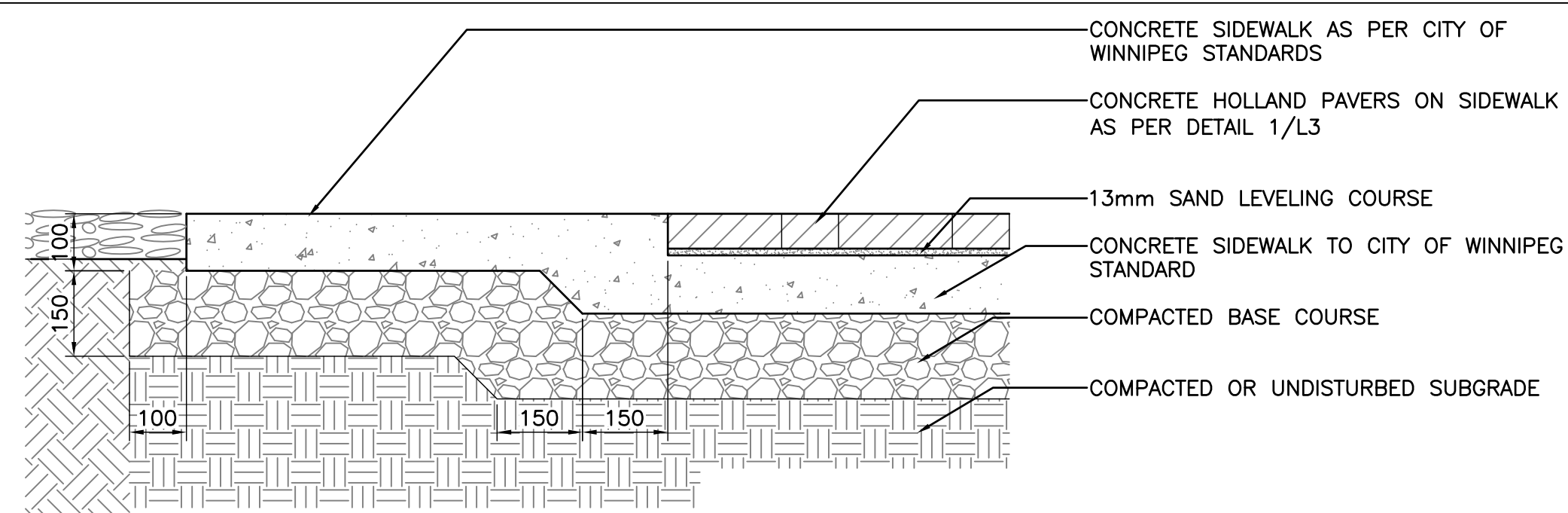
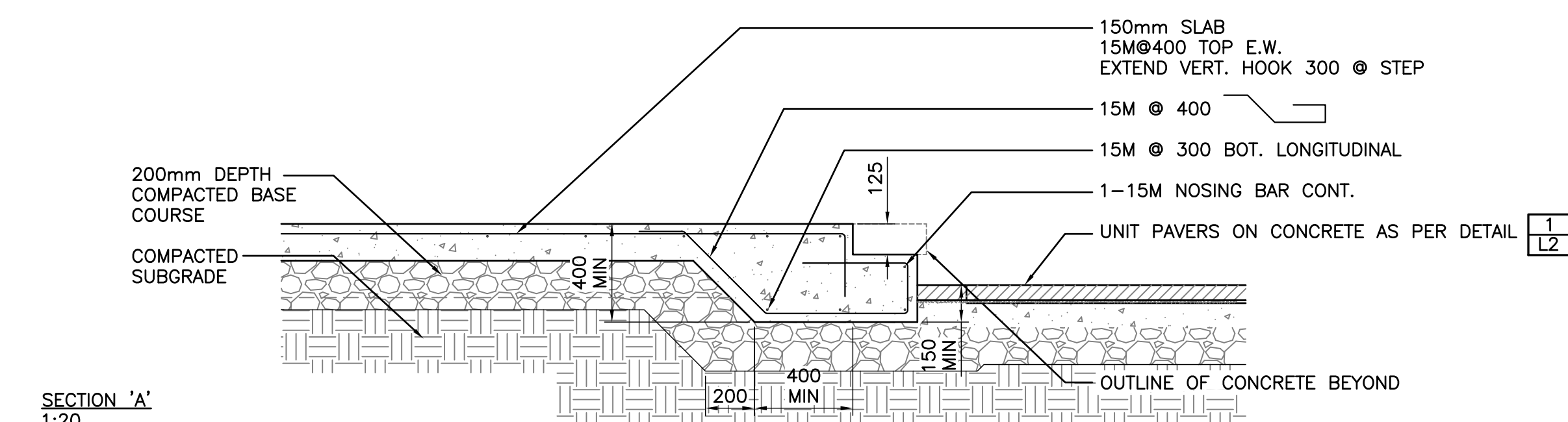


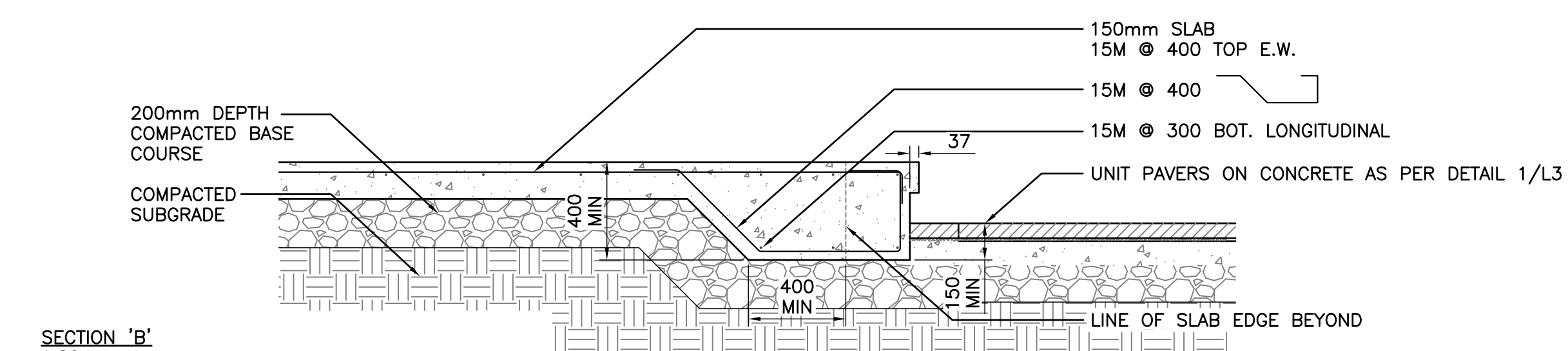
1 UNIT PAVERS ON CONCRETE SIDEWALK  
L1 1:10



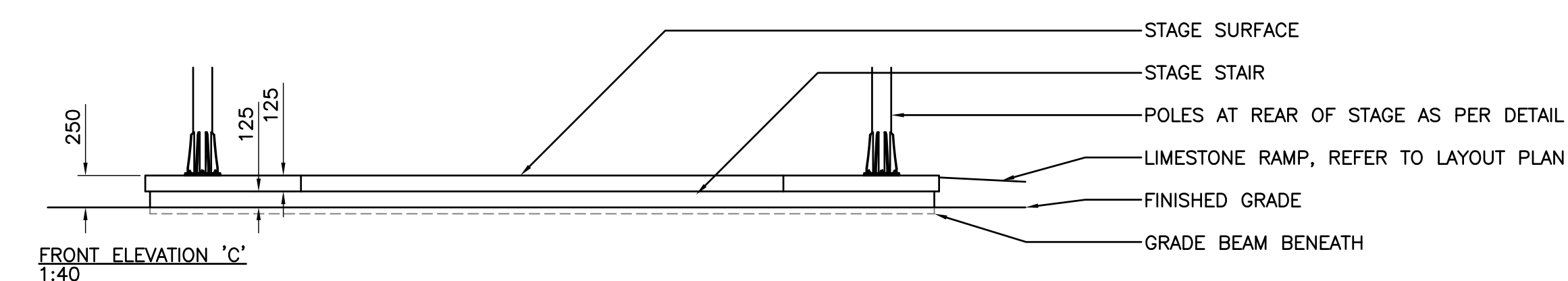
2 CONCRETE SIDEWALK  
L1 1:10



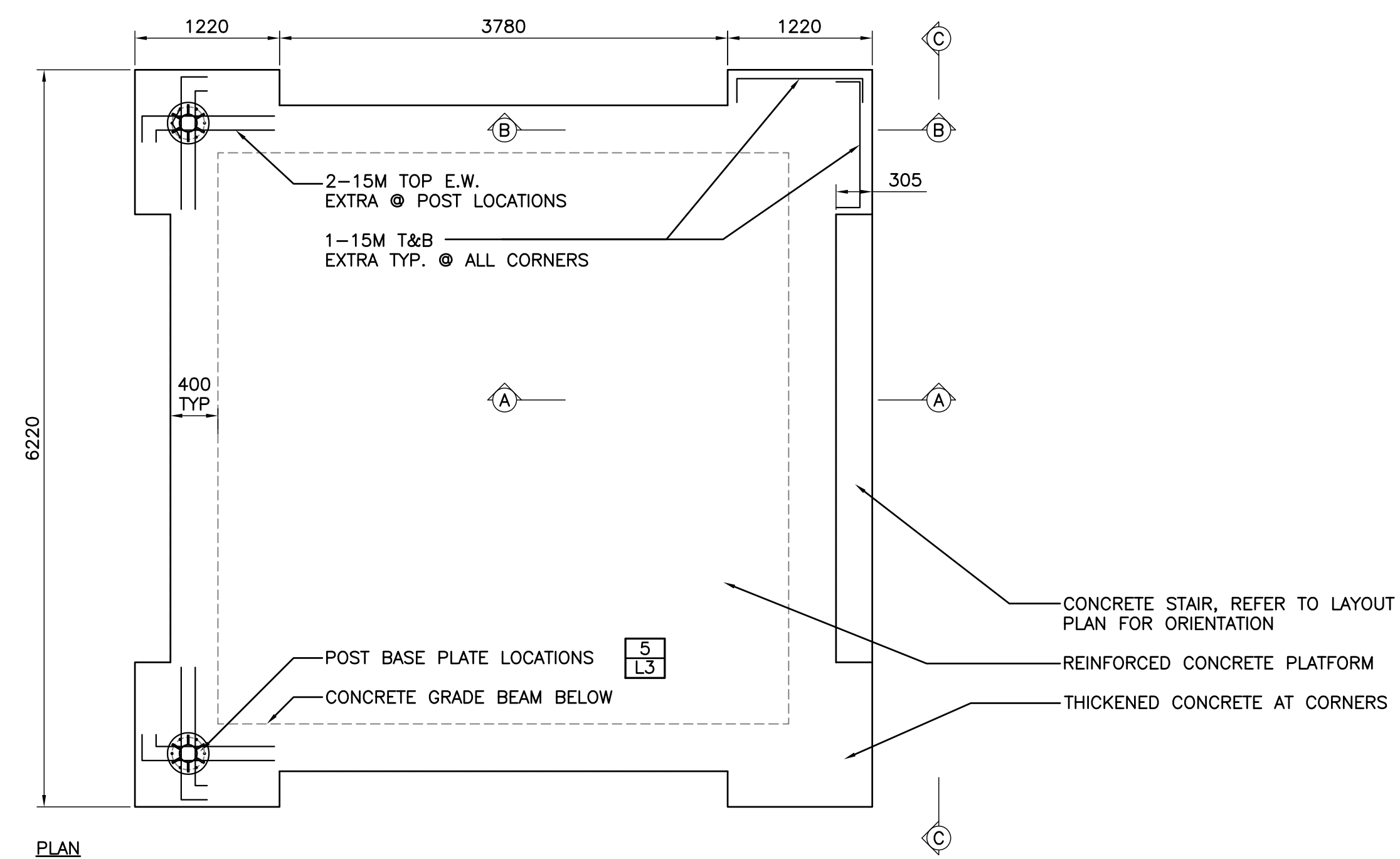
SECTION 'A'  
1:20



SECTION 'B'  
1:20

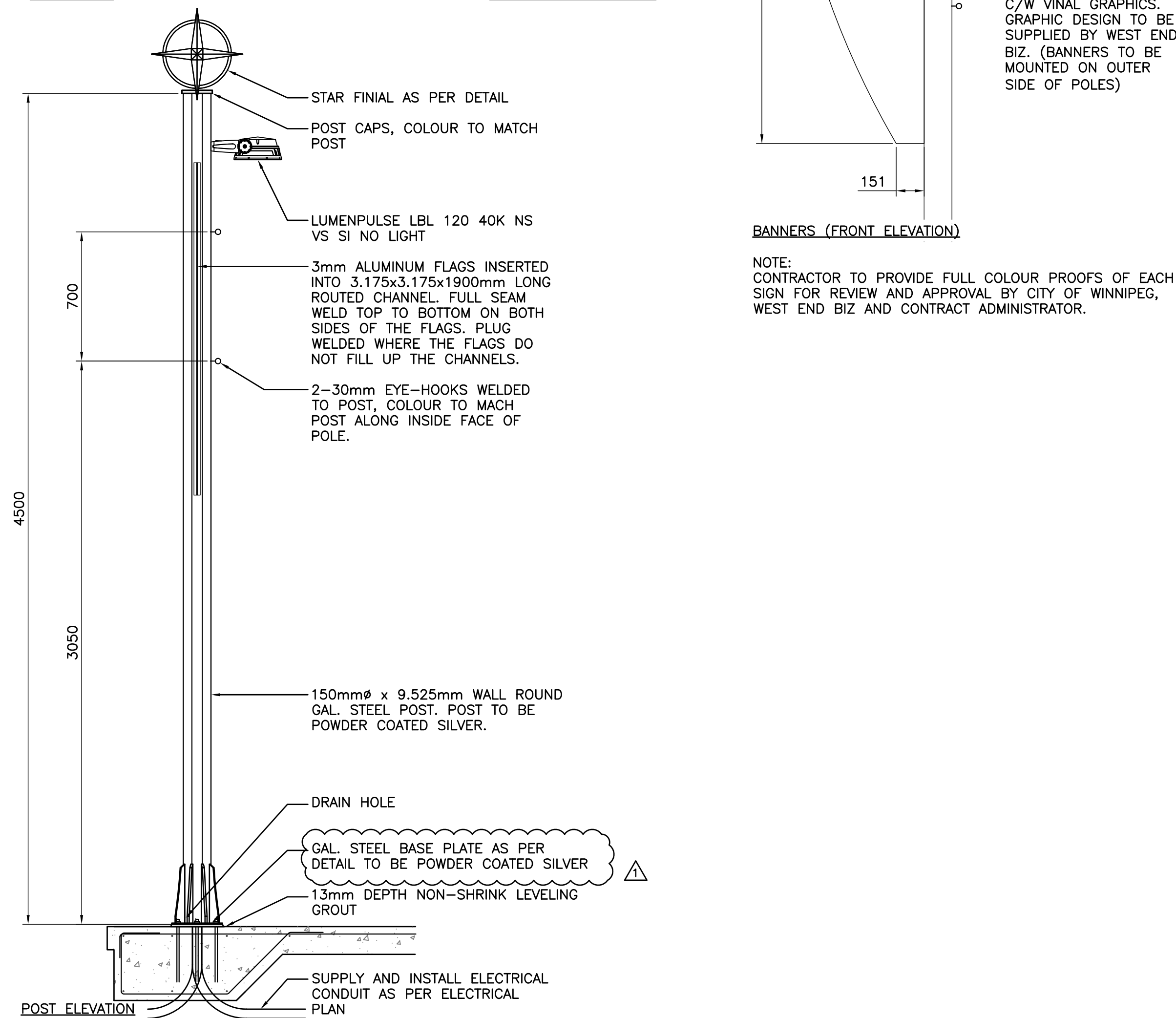
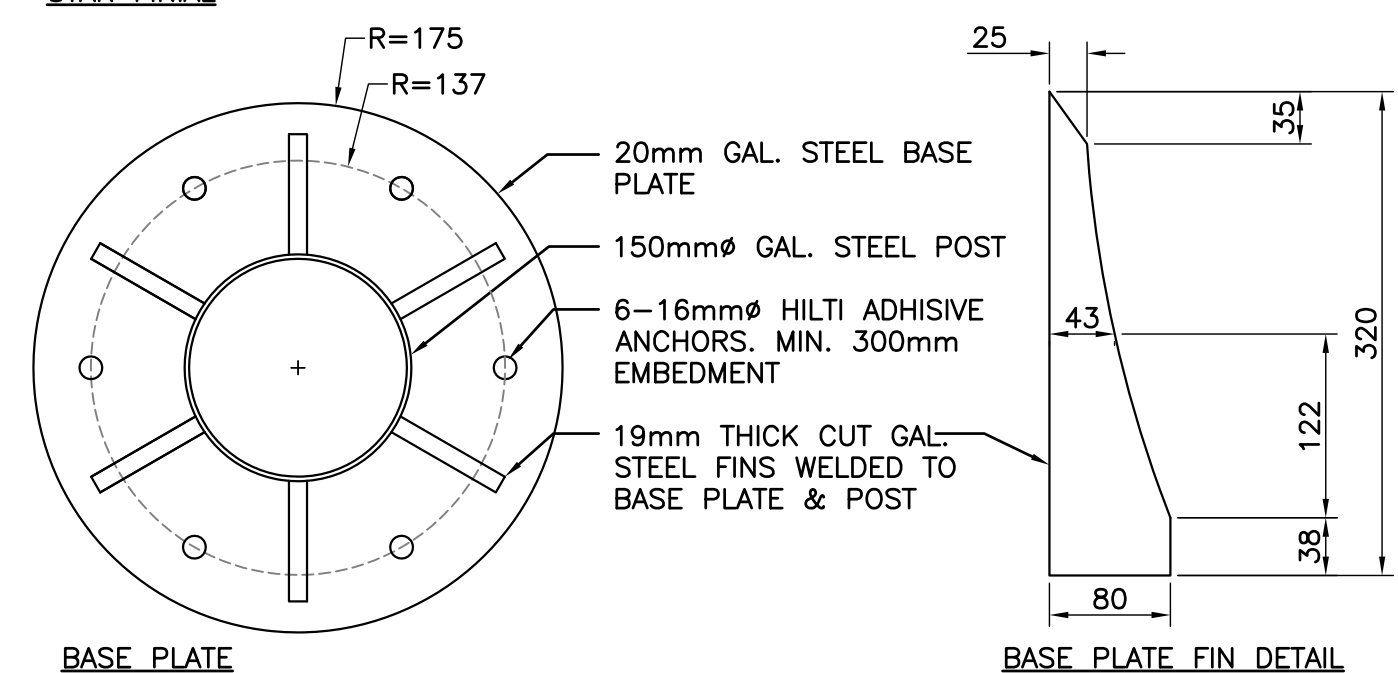
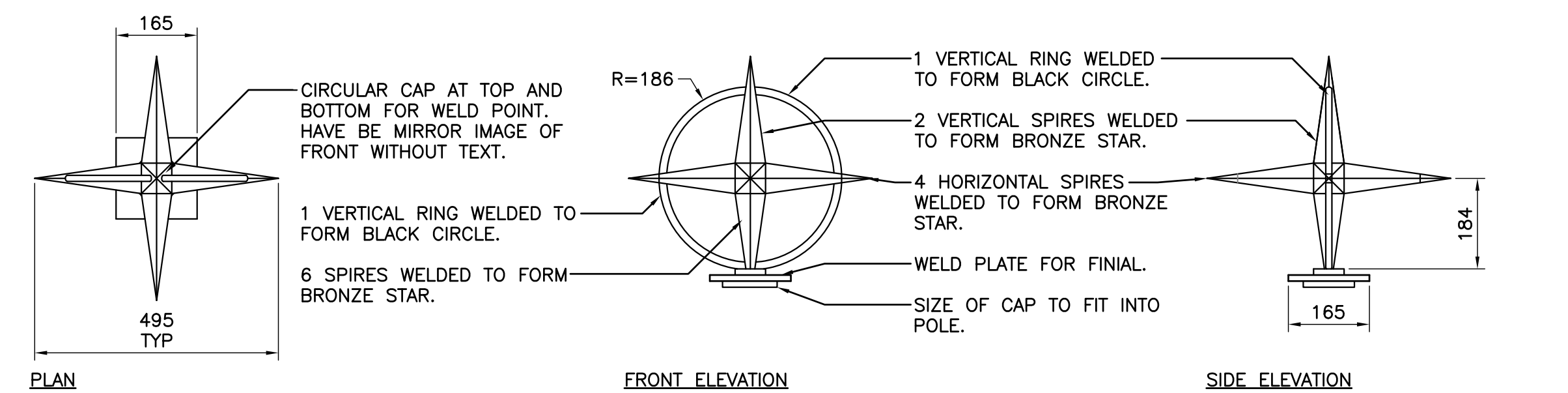


FRONT ELEVATION 'C'  
1:40



PLAN  
1:40

3 CONCRETE PLATFORM STAGE  
L1 AS NOTED

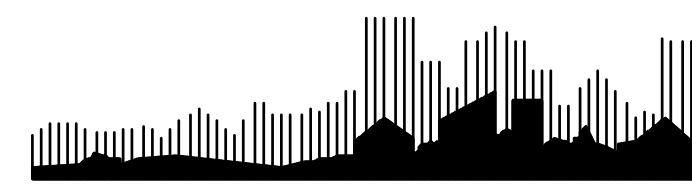


4 DECORATIVE STAGE POST  
L3 1:20

CONTRACTOR TO SUPPLY SHOP DRAWINGS STAMPED BY A STRUCTURAL ENGINEER LICENSED TO PRACTICE IN THE PROVINCE OF MANITOBA WITH EXTENSIVE EXPERIENCE IN THE DESIGN & MANUFACTURING OF METAL FABRICATION. SHOP DRAWINGS TO INCLUDE WALL THICKNESSES, MATERIALS ETC. AS LISTED IN THE SPECIFICATIONS AND ALL FOUNDATIONS.

ALL DIMENSIONS PROVIDED FOR INFORMATION ON DESIGN INTENT.

1	REVISION TO DETAIL 4 NOTE	27/08/13	AR
2			
Date:		Scale:	
15-08-13		AS NOTED	
Designed By:	Drawn By:	Checked By:	
AR	AR	AH	



CITY OF WINNIPEG  
WEST END BIZ

SAIGON PARK  
UPGRADES

DETAILS