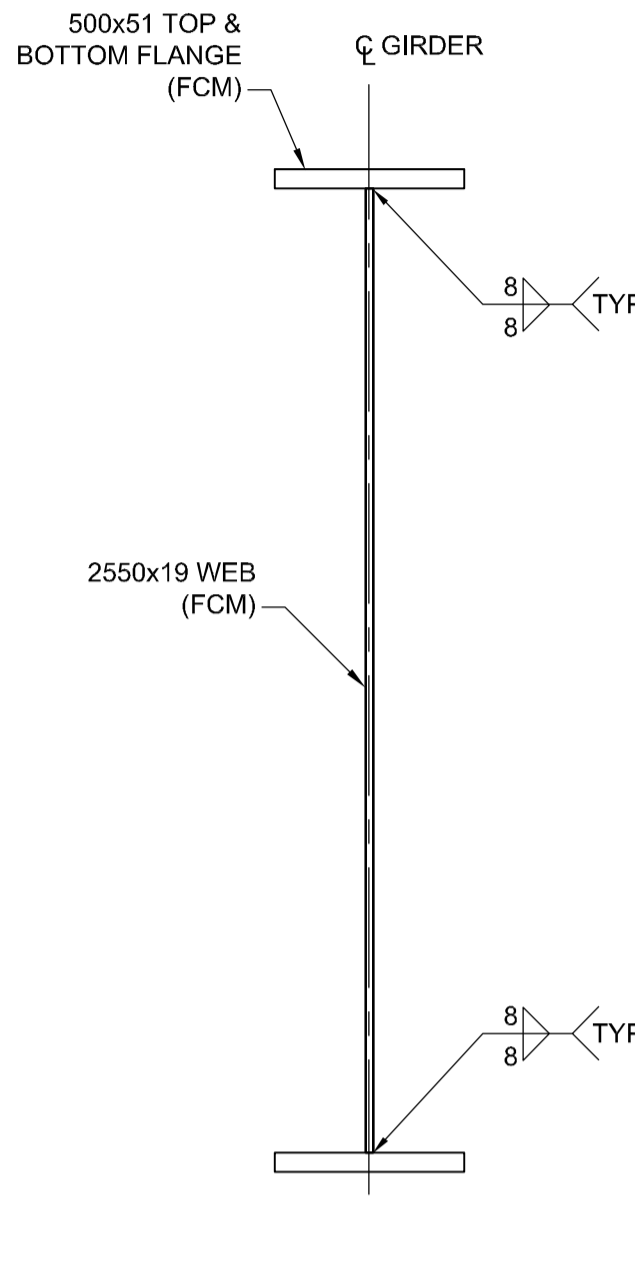
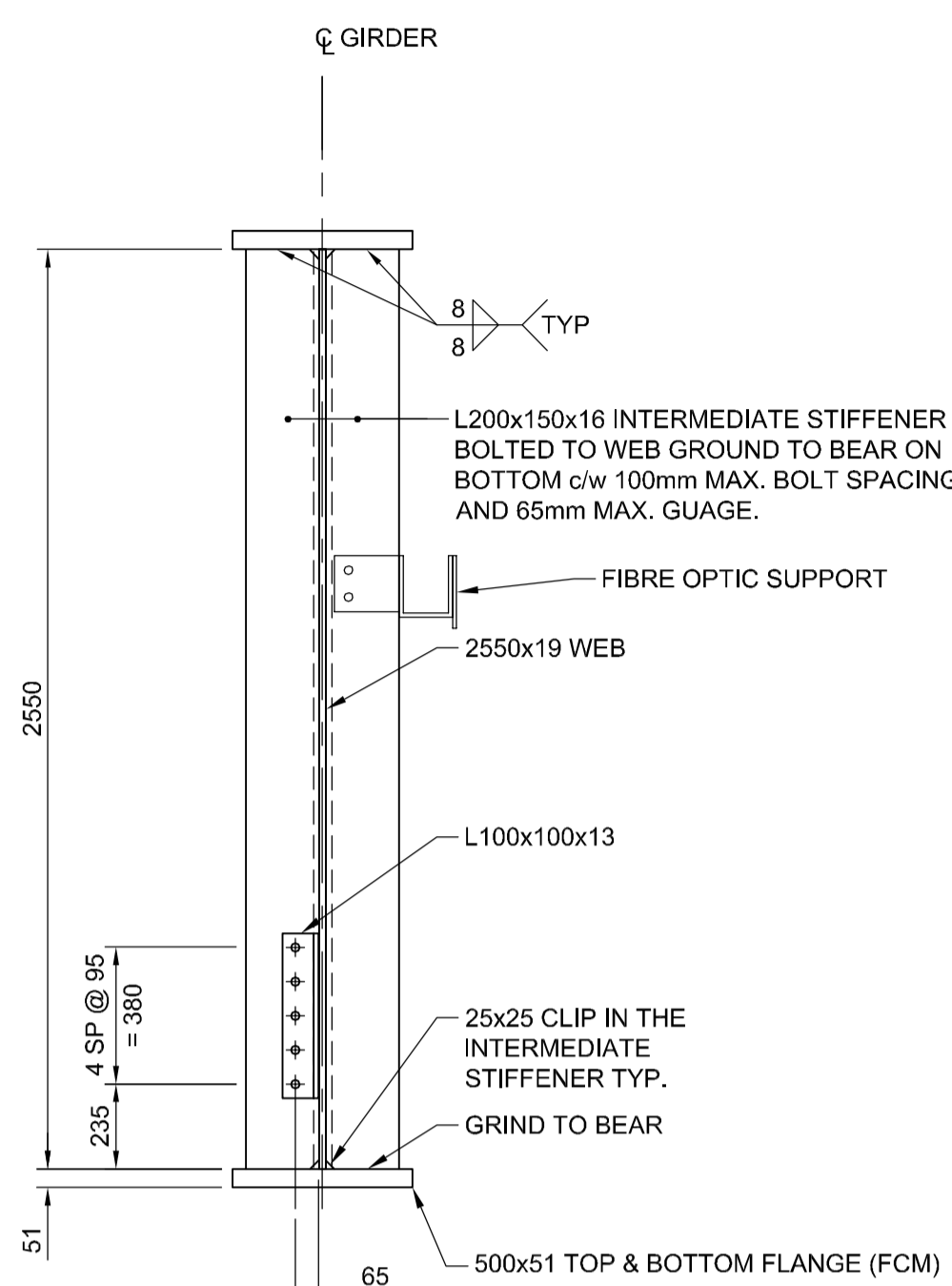


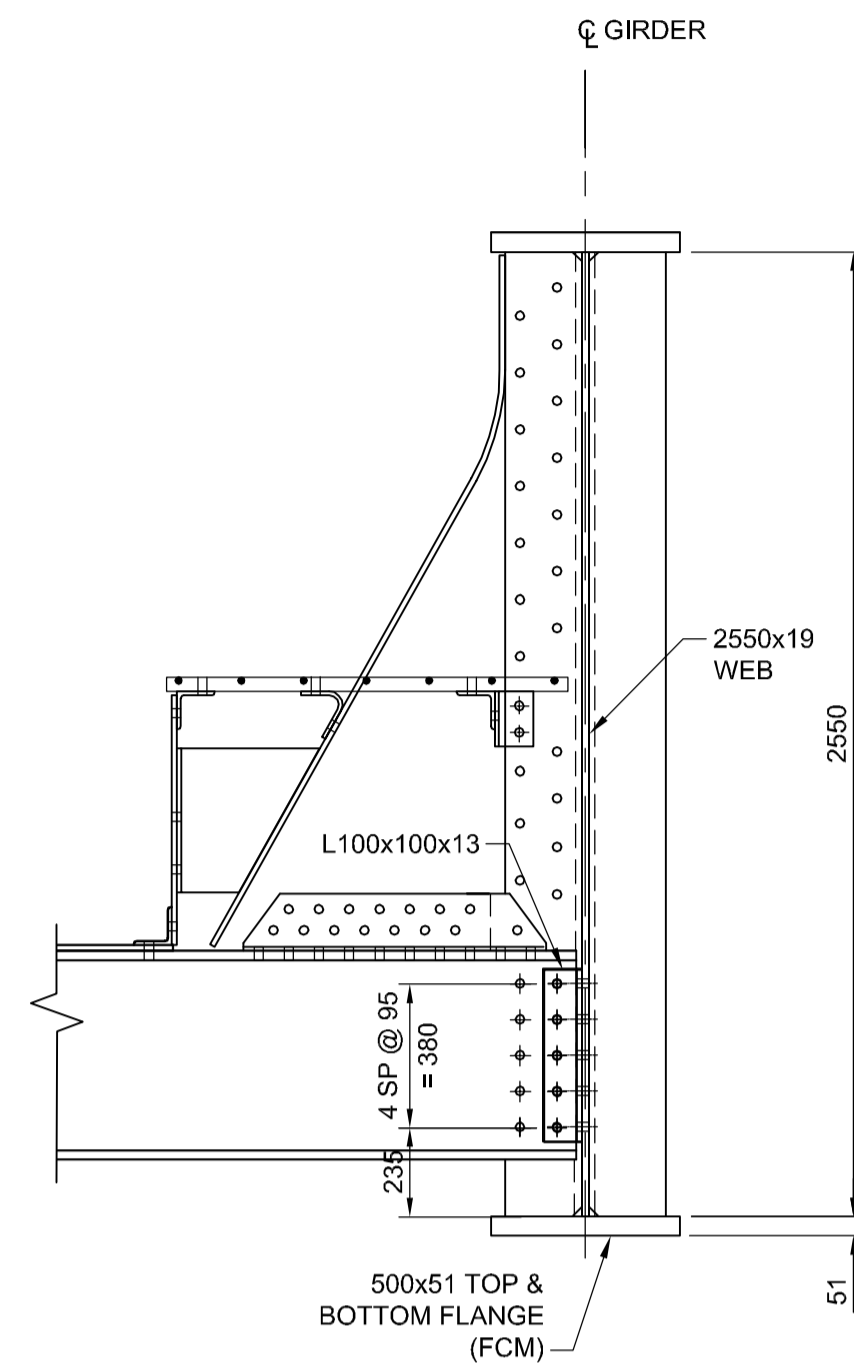
1 TYPICAL BEARING STIFFENER
CS-0017 Scale 1:20



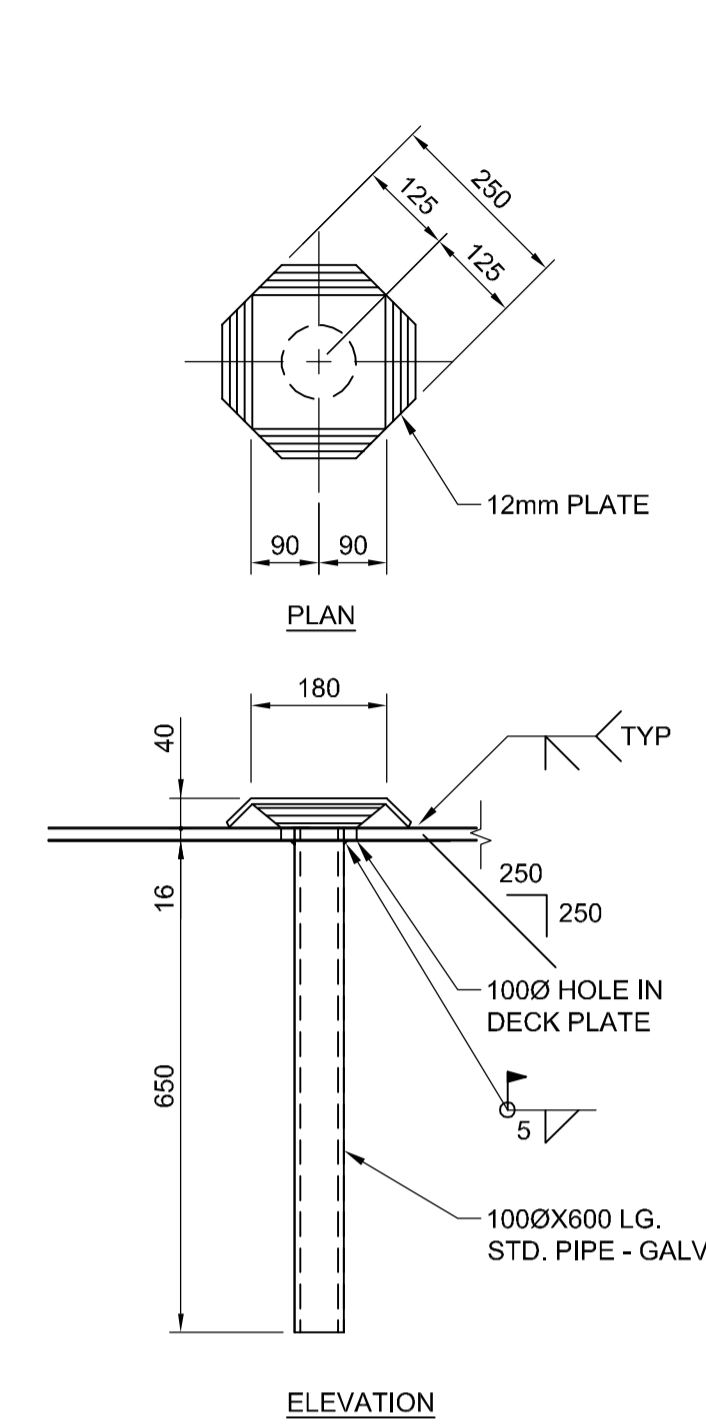
2 TYPICAL MAIN GIRDER SECTION W/O STIFFENER
CS-0018 Scale 1:20



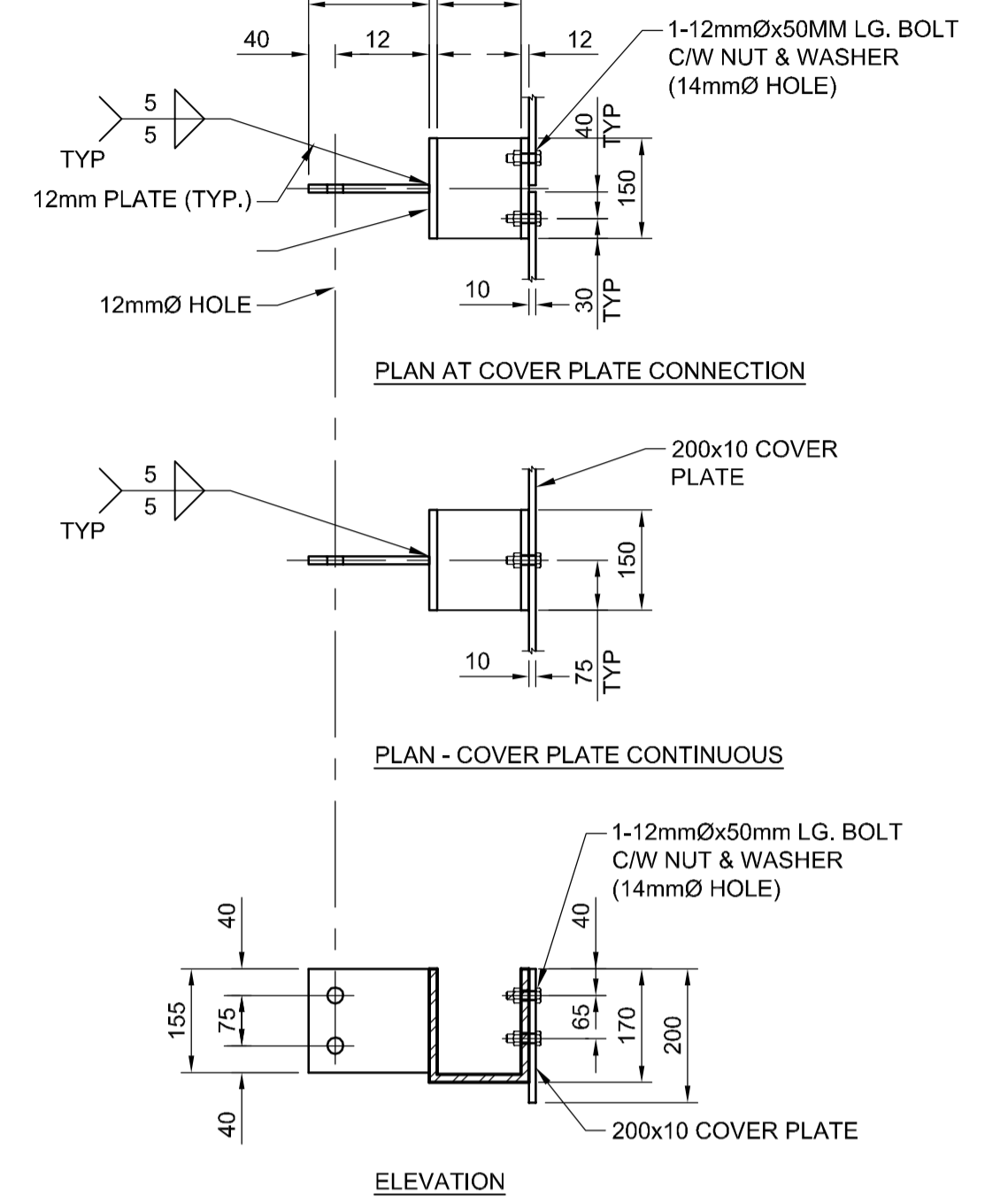
3 TYPICAL INTERN. STIFFENER
CS-0018 Scale 1:20



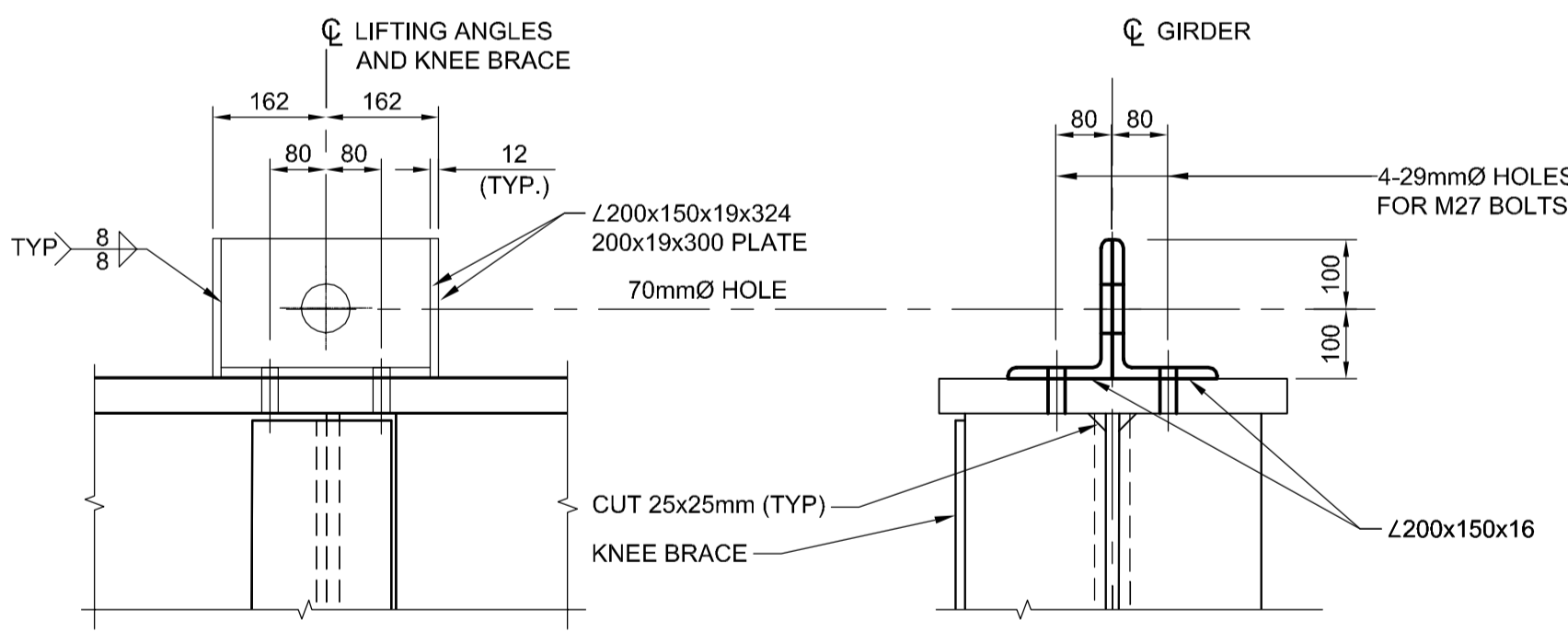
4 TYPICAL MAIN GIRDER AT FLOOR BEAM WITH KNEE BRACING
CS-0018 Scale 1:20



5 DECK DRAIN DETAIL
Scale 1:10

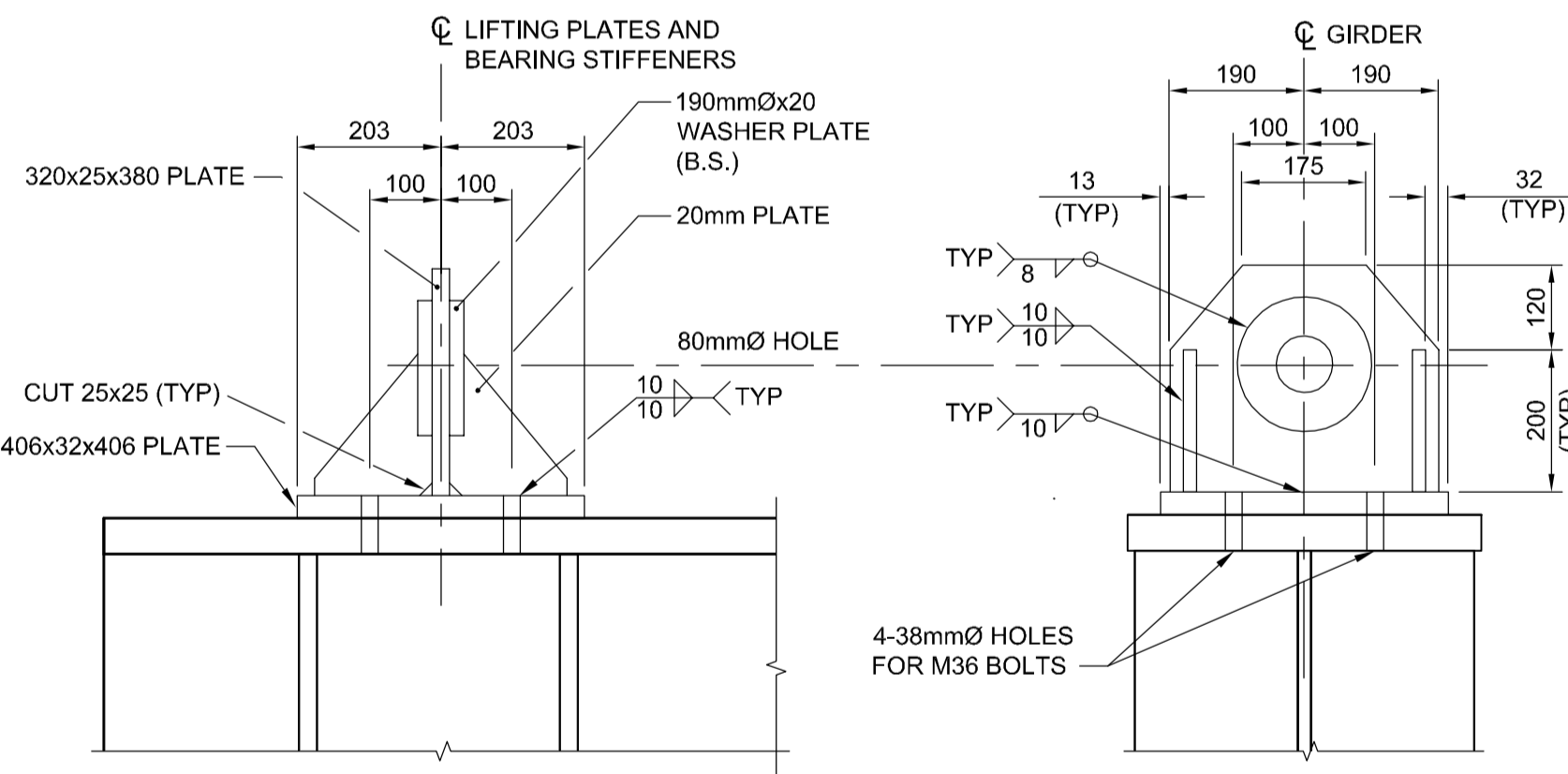


6 FIBRE-OPTIC SUPPORT DETAIL
CS-0018 Scale 1:10



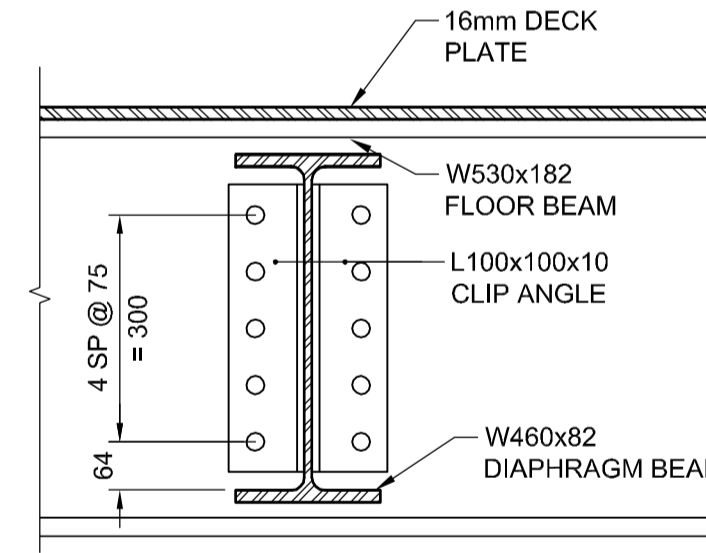
GIRDER LIFTING DEVICE DETAILS
Scale 1:10

THESE LIFTING DEVICES ARE DESIGNED FOR LIFTING ONE GIRDER ONLY AND NOT FOR ASSEMBLED SPAN (VERTICAL LIFT ONLY WITH 2 CRANES) 2 SPANS-THUS

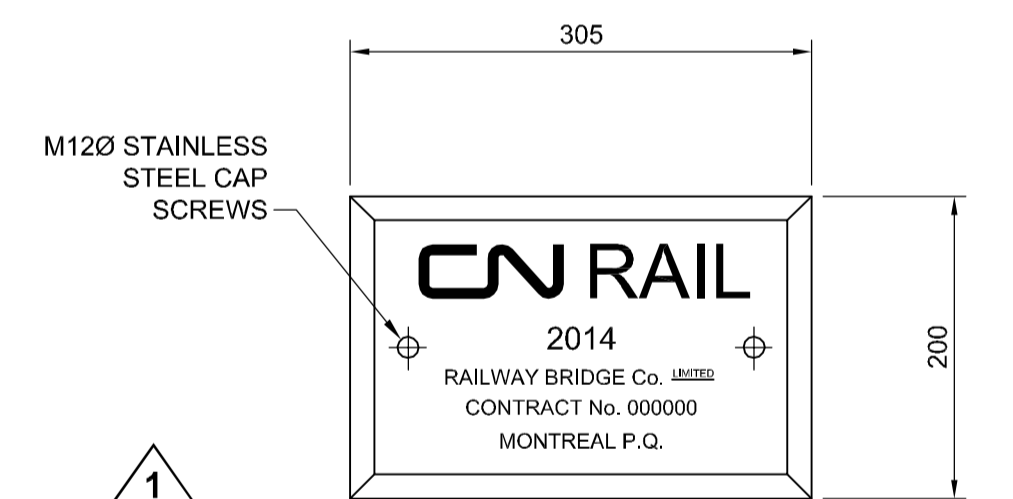


SPAN LIFTING BRACKET
Scale 1:10

- NOTE:
- COMPLETE ULTRASONIC TESTING OF WELDS IS REQUIRED FOR EACH BRACKET
 - SPANS SHALL BE LIFTED USING SPREADER BEAMS AT EACH END. ALL NECESSARY MEASURES MUST BE TAKEN TO ENSURE THAT SLINGS INSTALLED ON LIFTING DEVICES ARE COMPLETELY VERTICAL AT ALL TIMES. BOTH ENDS OF SPAN MUST BE LIFTED SIMULTANEOUSLY.
 - LIFTING BRACKETS TO BE REMOVED AFTER GIRDER INSTALLATION. EXISTING BOLTS TO BE KEPT IN GOOD CONDITION AND REINSTALLED AFTER REMOVAL OF LIFTING BRACKETS.



7 BEAM CONNECTION DETAIL
CS-0018 Scale 1:10



LOCATION FOR BRIDGE NAME PLATE
Scale 1:5

NOTE:
1. ONE NAME PLATE IS TO BE LOCATED ON EACH SPAN ON THE INSIDE OF THE WEB AT THE NEAR END OF THE RIGHT HAND GIRDER (LOOKING IN THE DIRECTION OF INCREASING MILEAGE) ABOVE TRAINMAN'S WALKWAY.



LOCATION APPROVED UNDERGROUND STRUCTURES		B.M. ELEV.
SUPV. U/G STRUCTURES COMMITTEE	DATE	
NOTE: LOCATION OF UNDERGROUND STRUCTURES AS SHOWN ARE BASED ON THE BEST INFORMATION AVAILABLE, BUT NO GUARANTEE IS GIVEN THAT ALL EXISTING UTILITIES ARE SHOWN OR THAT THE GIVEN LOCATIONS ARE EXACT. CONFIRMATION OF EXISTENCE AND EXACT LOCATION OF ALL SERVICES MUST BE OBTAINED FROM THE INDIVIDUAL UTILITIES BEFORE PROCEEDING WITH CONSTRUCTION.		
NO.	ISSUED FOR	DATE BY
1	ISSUED FOR ADDENDUM	2013/12/10 DJH
0	ISSUED FOR TENDER	2013/11/21 KC

DESIGNED BY		CHECKED BY	
FT		CD	
DRAWN BY		APPROVED BY	
KC		EBL	
HOR. SCALE:		RELEASED FOR CONSTRUCTION BY:	
AS NOTED		DATE	
VERTICAL:		DATE	
AS NOTED		2013-06-04	

AECOM

ENGINEER'S SEAL
PROVINCE OF MANITOBA
ORIGINAL SIGNED BY
F. TABET
Member 38656
ON NOV 21, 2013
REGISTERED PROFESSIONAL ENGINEER

CONSULTANT DRAWING NO.
60273041-01-CS-207

THE CITY OF WINNIPEG
PUBLIC WORKS DEPARTMENT

PLESSIS ROAD TWINNING AND GRADE SEPARATION AT CN REDDITT SUBDIVISION
CONTRACT 3

MISCELLANEOUS SECTION & DETAILS

CITY DRAWING NUMBER
U238-2014-2020

SHEET 20 OF 37

CS-0020