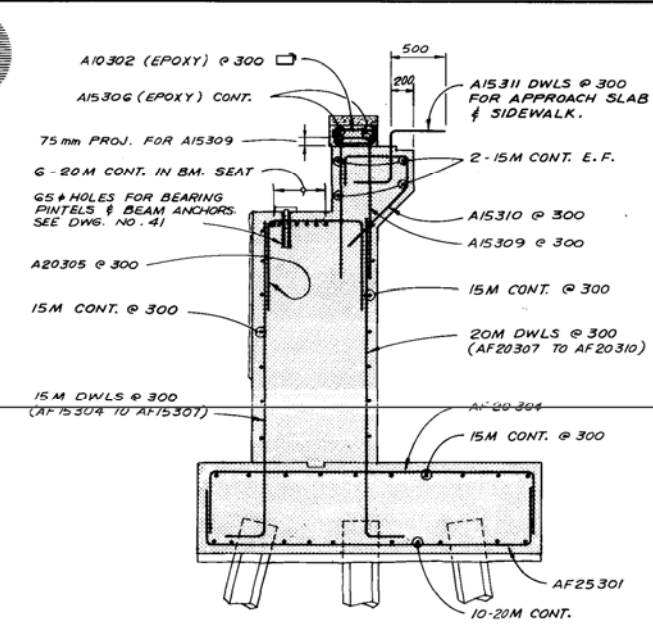


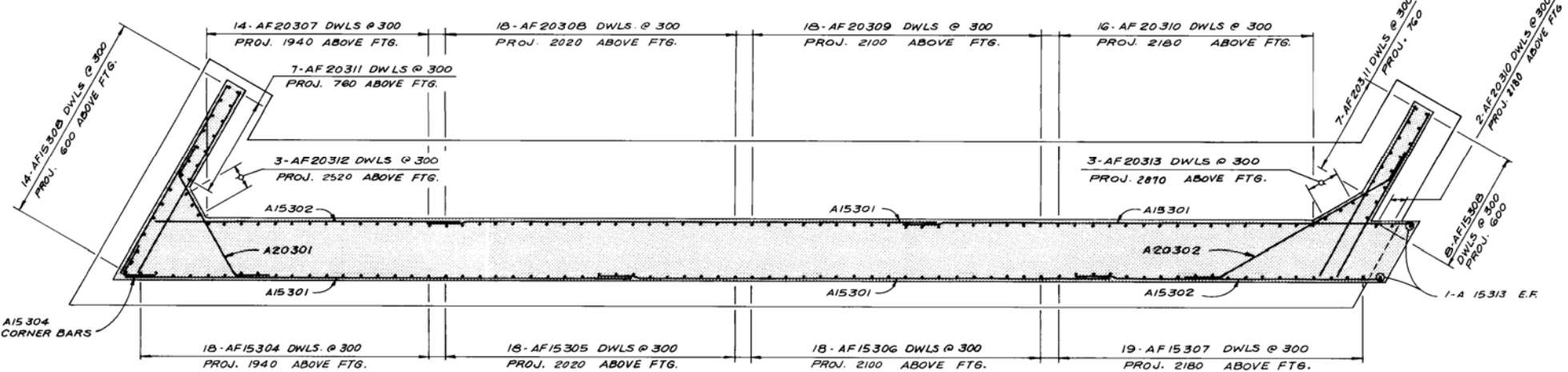
**FOOTING PLAN**  
SCALE 1:50

**BAR PLACING ORDER**

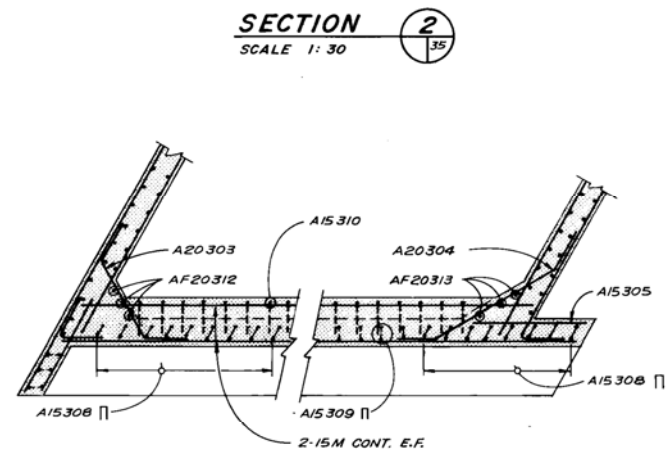
6.	TOP	1	1
5.	TOP	1	1
4.	TOP	1	1
3.	BOT	1	1
2.	BOT	1	1
1.	BOT	1	1



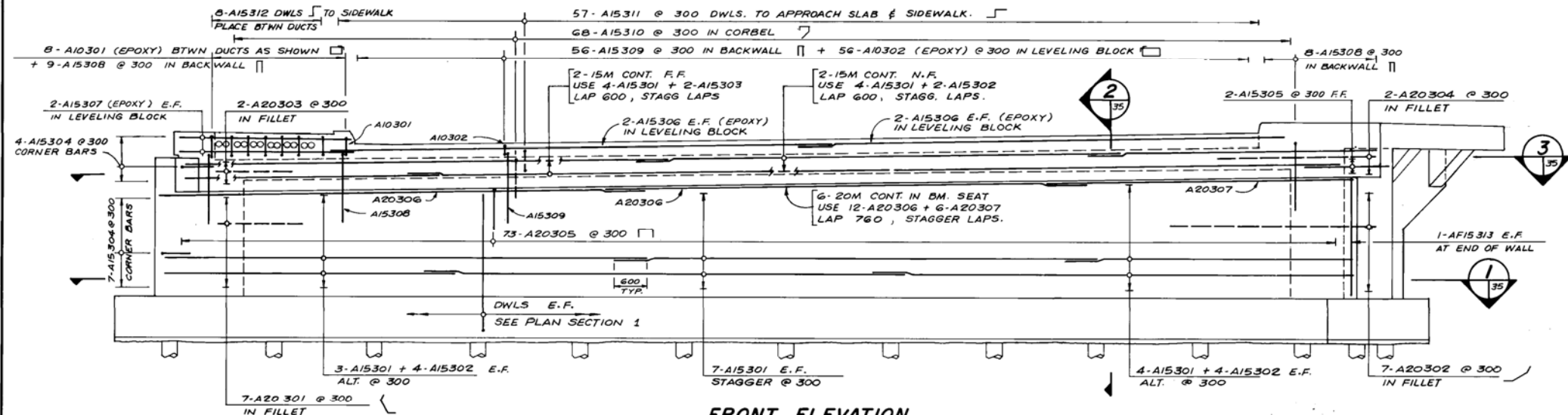
**SECTION 2**  
SCALE 1:30



**PLAN SECTION 1**  
SCALE 1:50



**PARTIAL PLAN SECTION 3**  
SCALE 1:50



**FRONT ELEVATION**  
SCALE 1:50

**AS BUILT**  
BY *R. W. W.*

**NOTE**  
REBAR LABELLED "(EPOXY)" SHALL BE EPOXY COATED.

B-5421

DESIGNED BY	N.B.U.	DRAWN BY	W.P.S.
CHECKED BY	L.D.M.	DATE	80-08-25
APPROVED BY	DATE 23/9/80		

**THE CITY OF WINNIPEG**  
WORKS & OPERATIONS  
STREETS & TRANSPORTATION

**STURGEON CREEK BRIDGE ON PORTAGE AVENUE**  
**NORTH STRUCTURE EAST ABUTMENT SU-8 REINFORCEMENT**

AUTHORIZED BY *W.P.S.* DATE 17/8-10-29  
ACCEPTED BY *M. P. S.* DATE 8-10-29

SCALE AS NOTED  
DRAWING NO. **B178-80-35**