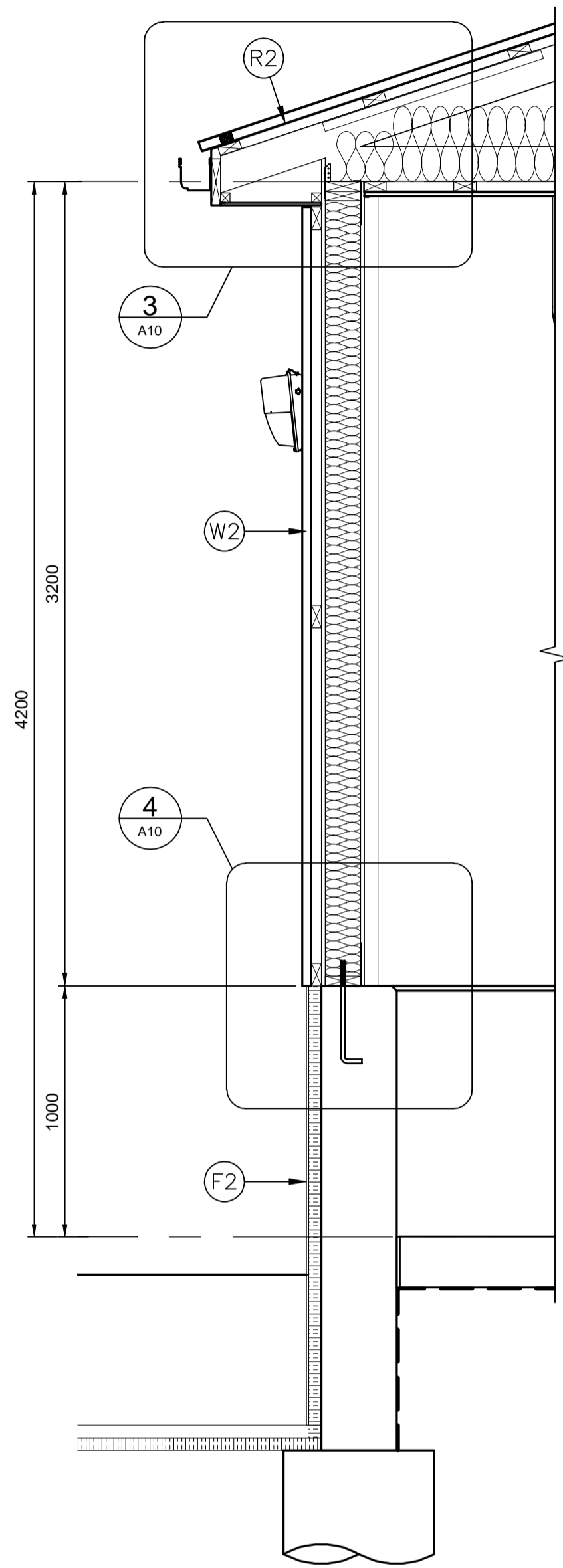
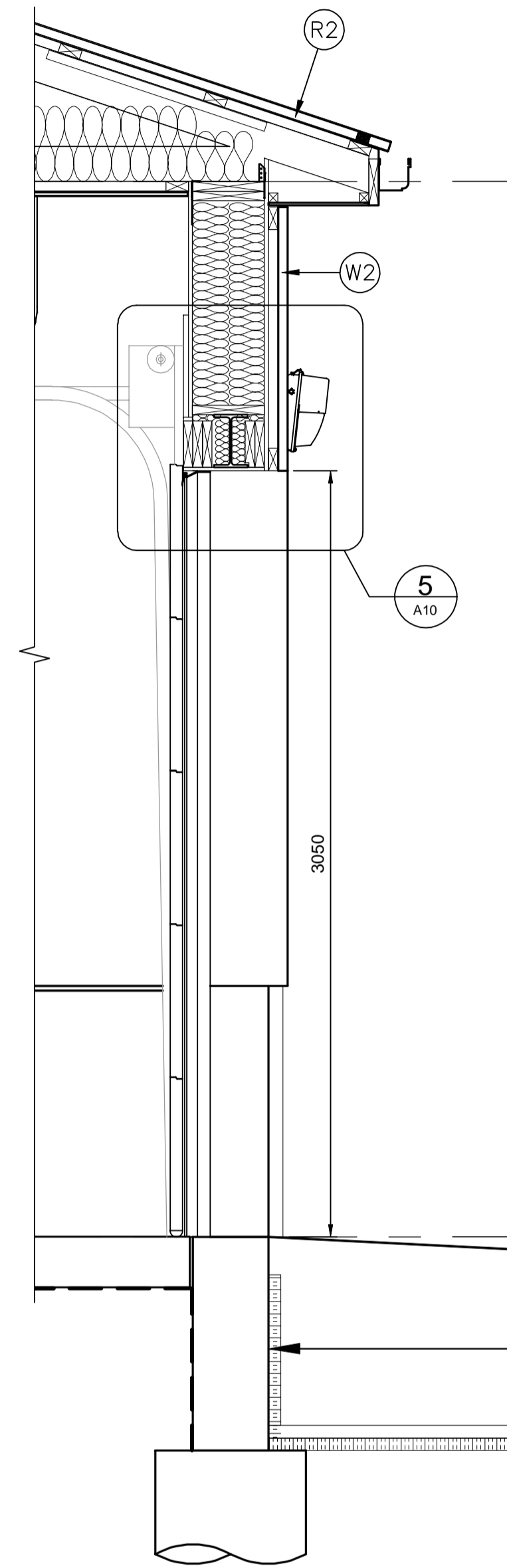


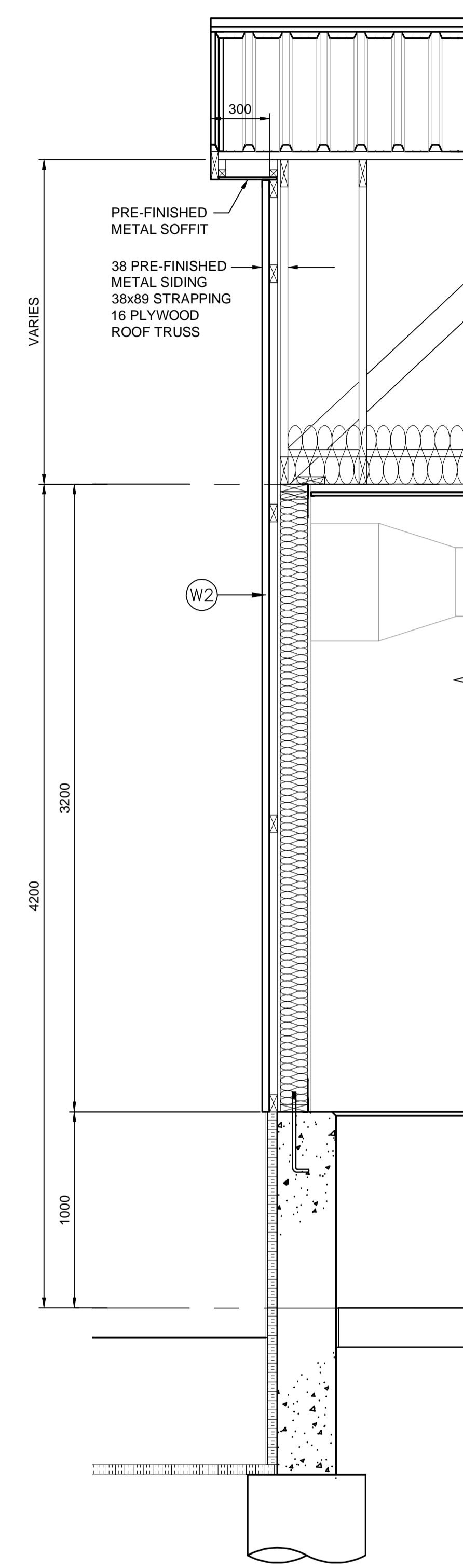
3 SECTION
A8 1:20



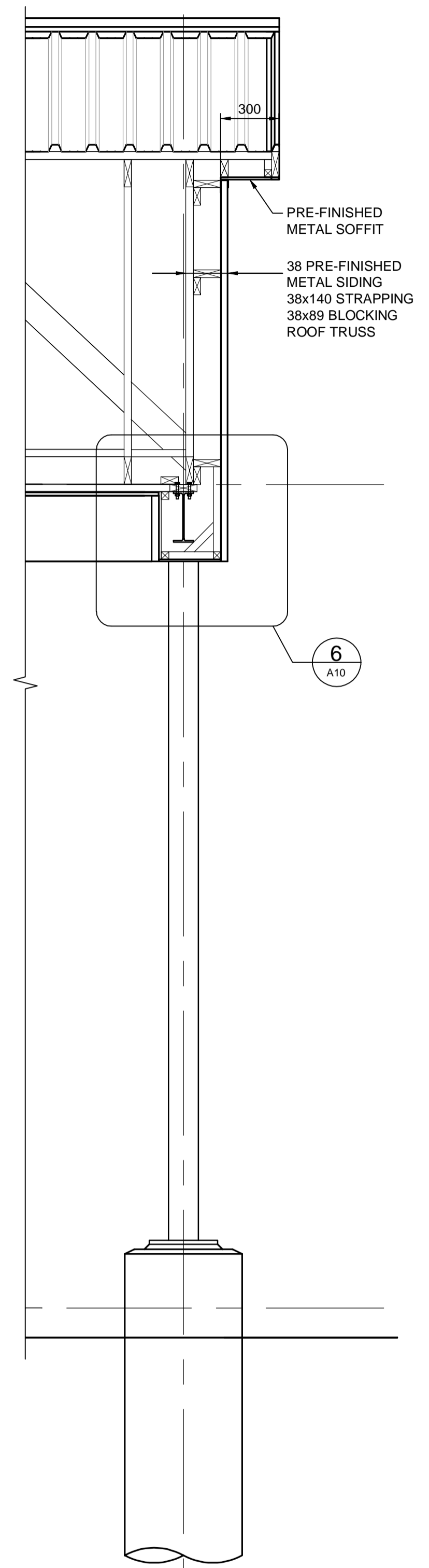
4 SECTION
A8 1:20



5 SECTION
A8 1:20



6 SECTION
A8 1:20



7 SECTION
A8 1:20

APEGM
 Certificate of Authorization
 Dillon Consulting Limited (MB)
 No. 1789 Date: 2014/07/08

METRIC

WHOLE NUMBERS INDICATE MILLIMETRES
 DECIMALIZED NUMBERS INDICATE METRES

C:\CAD\DWG\138224\01-Architectural\01-Contract\Brady Road\138224_01_ARCH_CON_HHW.dwg

DESIGNED BY LDP						
DRAWN BY PDR					4R WINNIPEG DEPOT BRADY ROAD RESOURCE MANAGEMENT FACILITY	
CHECKED BY LDP					HHW EWASTE BUILDING WALL SECTIONS	
APPROVED BY ARR					CITY DRAWING NUMBER 1-0400A-A0009-001	
HOR. SCALE AS NOTED			RELEASED FOR CONSTRUCTION	CONSULTANT PROJECT NUMBER 13-8224	SHEET 7 OF 11	
VERTICAL			DATE		CONSULTANT DRAWING NUMBER A9 (AD-1)	
1 ISSUED FOR ADDENDUM #1 14/07/08 ARR			DATE JULY 2014			
NO.	REVISIONS	DATE	BY	DATE		