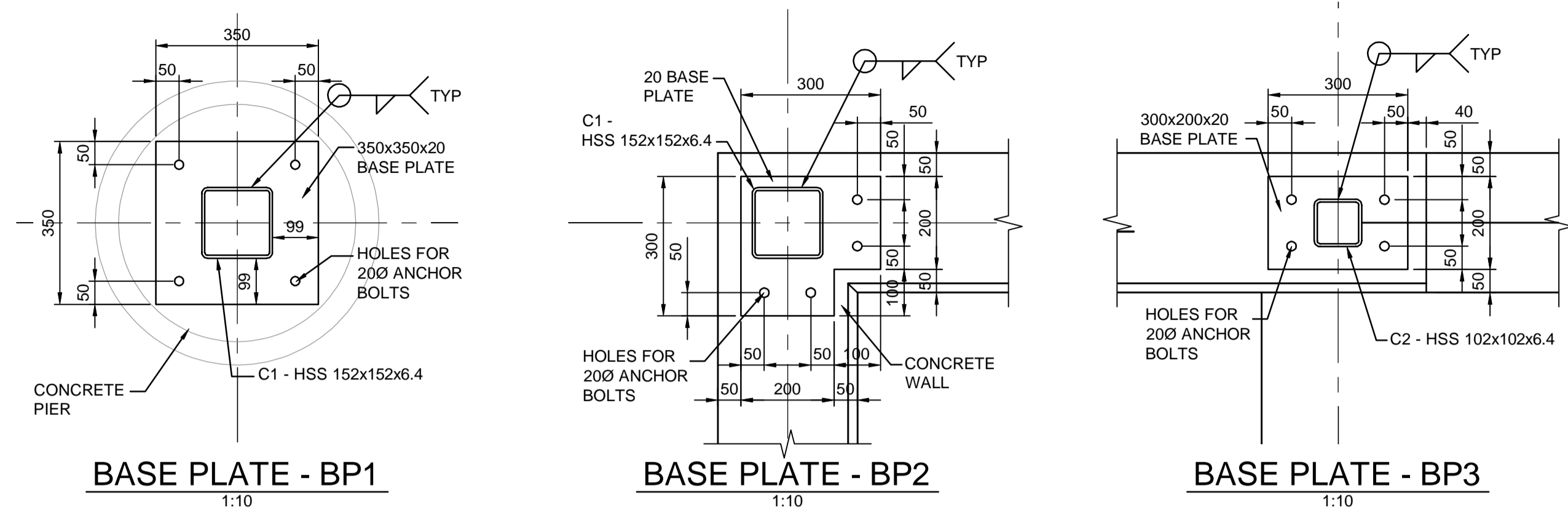


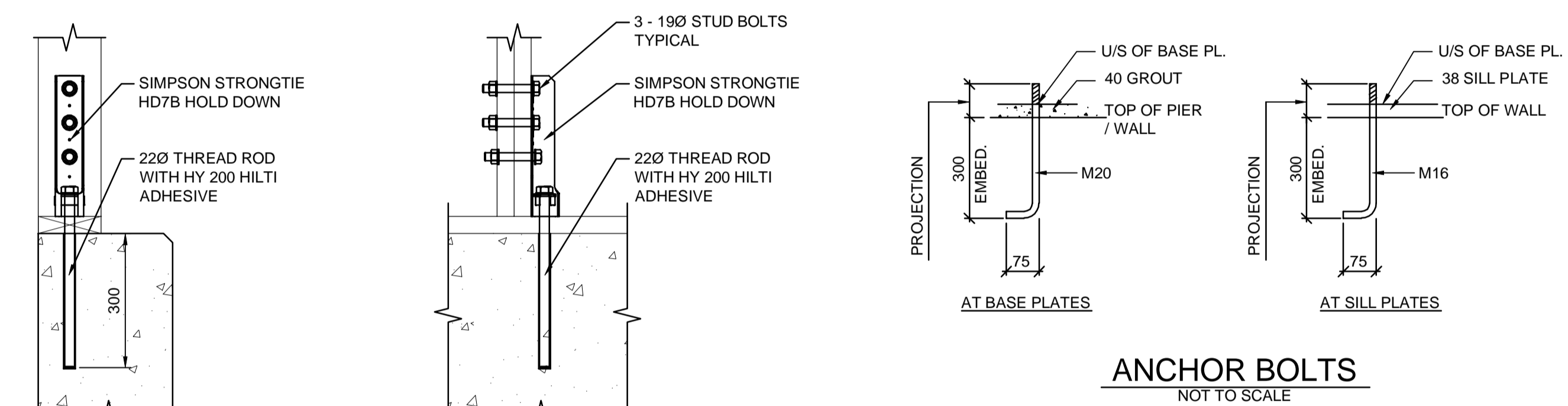
PLAN ABOVE ELEV. 100.000
1:50



BASE PLATE - BP1
1:10

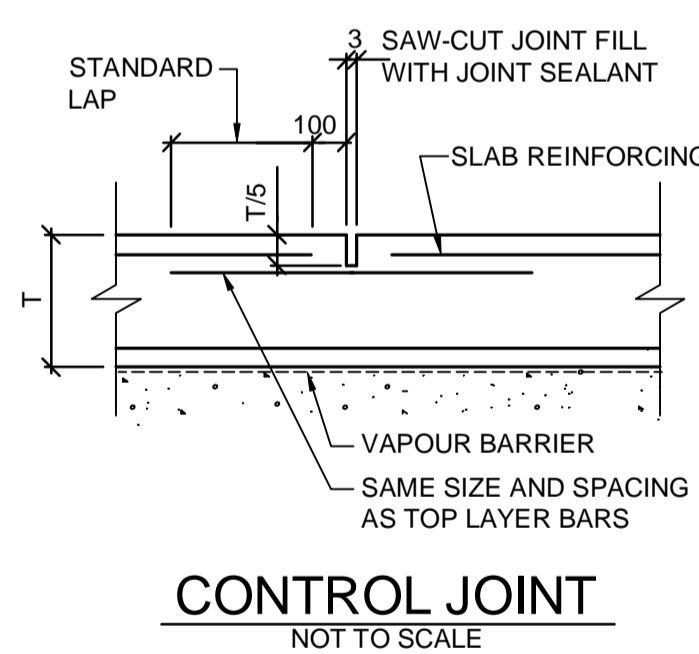
BASE PLATE - BP2
1:10

BASE PLATE - BP3
1:10



SHEAR WALL - HOLD DOWN ANCHOR
1:10

ANCHOR BOLTS
NOT TO SCALE



CONTROL JOINT
NOT TO SCALE



Certificate of Authorization
Dillon Consulting Limited (MB)
No. 1789 Date: 2014/07/08

METRIC

WHOLE NUMBERS INDICATE MILLIMETRES
DECIMALIZED NUMBERS INDICATE METRES

B.M. ELEV.	DESIGNED BY	EPG		ENGINEER'S SEAL 		THE CITY OF WINNIPEG WATER AND WASTE DEPARTMENT	CITY DRAWING NUMBER 1-0400A-S0010-001
	DRAWN BY	PDR					
	CHECKED BY	BWD	RELEASED FOR CONSTRUCTION DATE	CONSULTANT PROJECT NUMBER 13-8224	HHW EWASTE BUILDING, PLAN ABOVE ELEV. 100.000, DETAILS	CONSULTANT DRAWING NUMBER S12 (AD-1)	
	APPROVED BY	ARR					
	HOR. SCALE	AS NOTED					
	VERTICAL						
1	ISSUED FOR ADDENDUM #1	14/07/08	ARR				
NO.	REVISIONS	DATE	BY	DATE	JULY 2014		