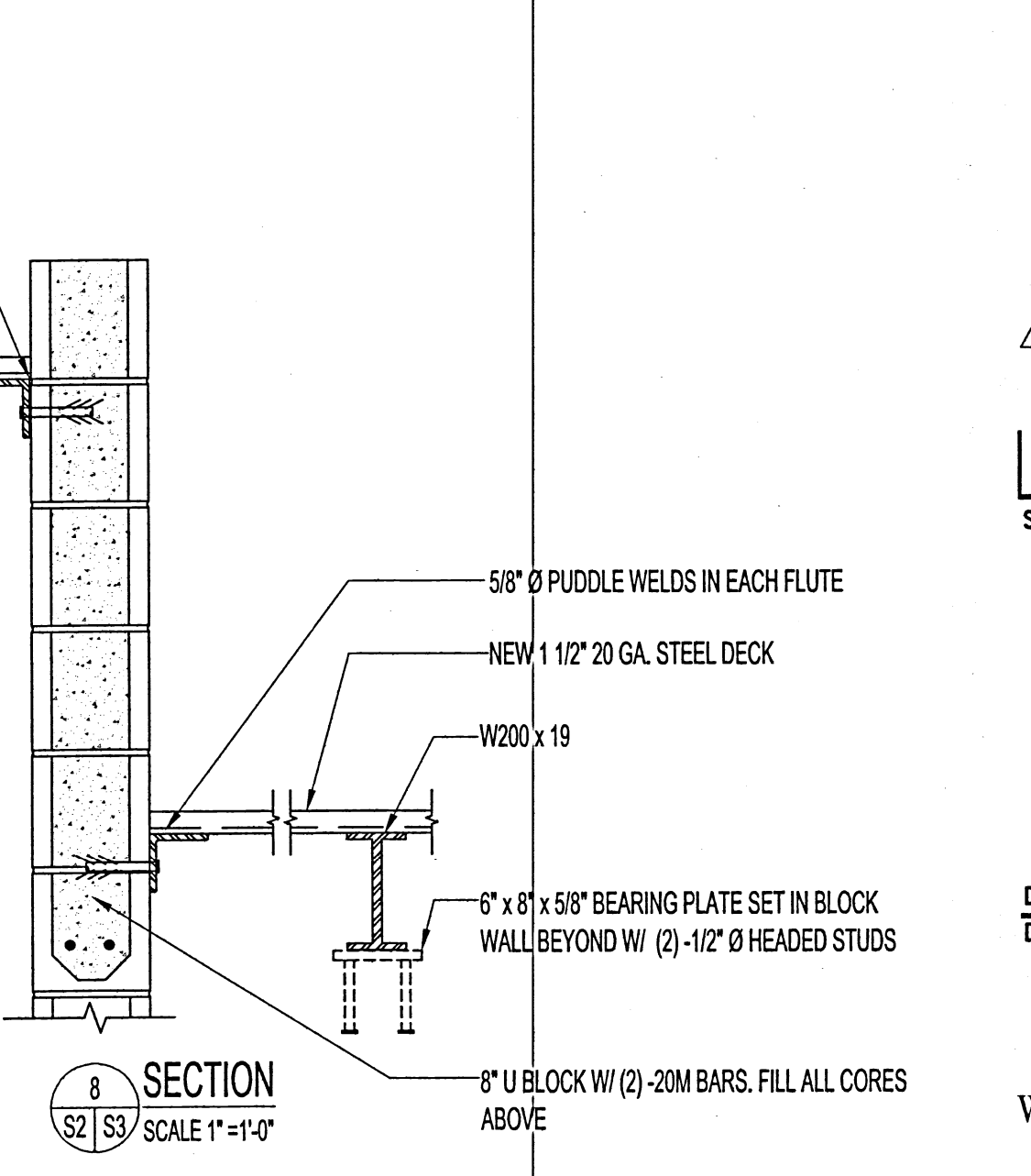
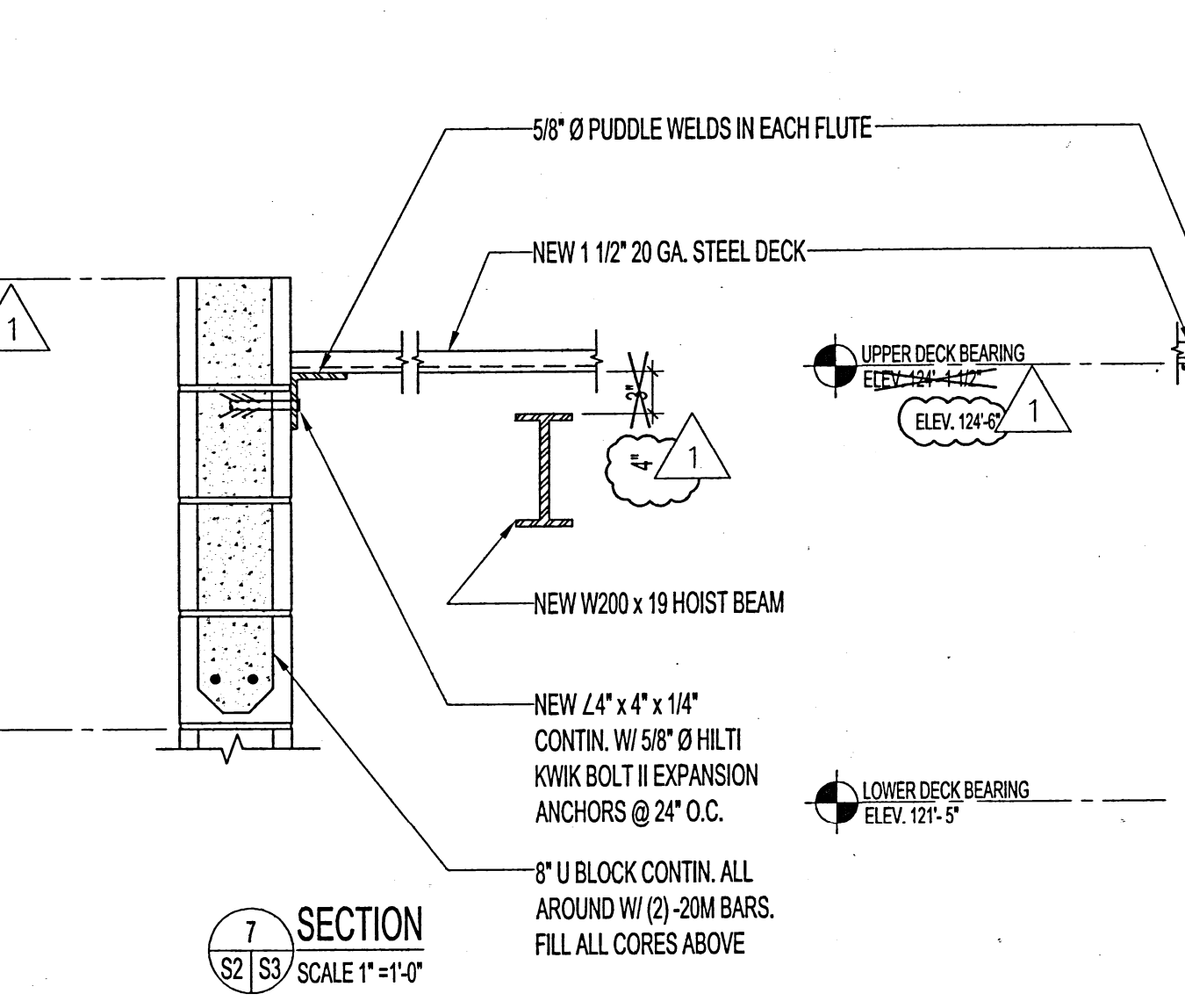
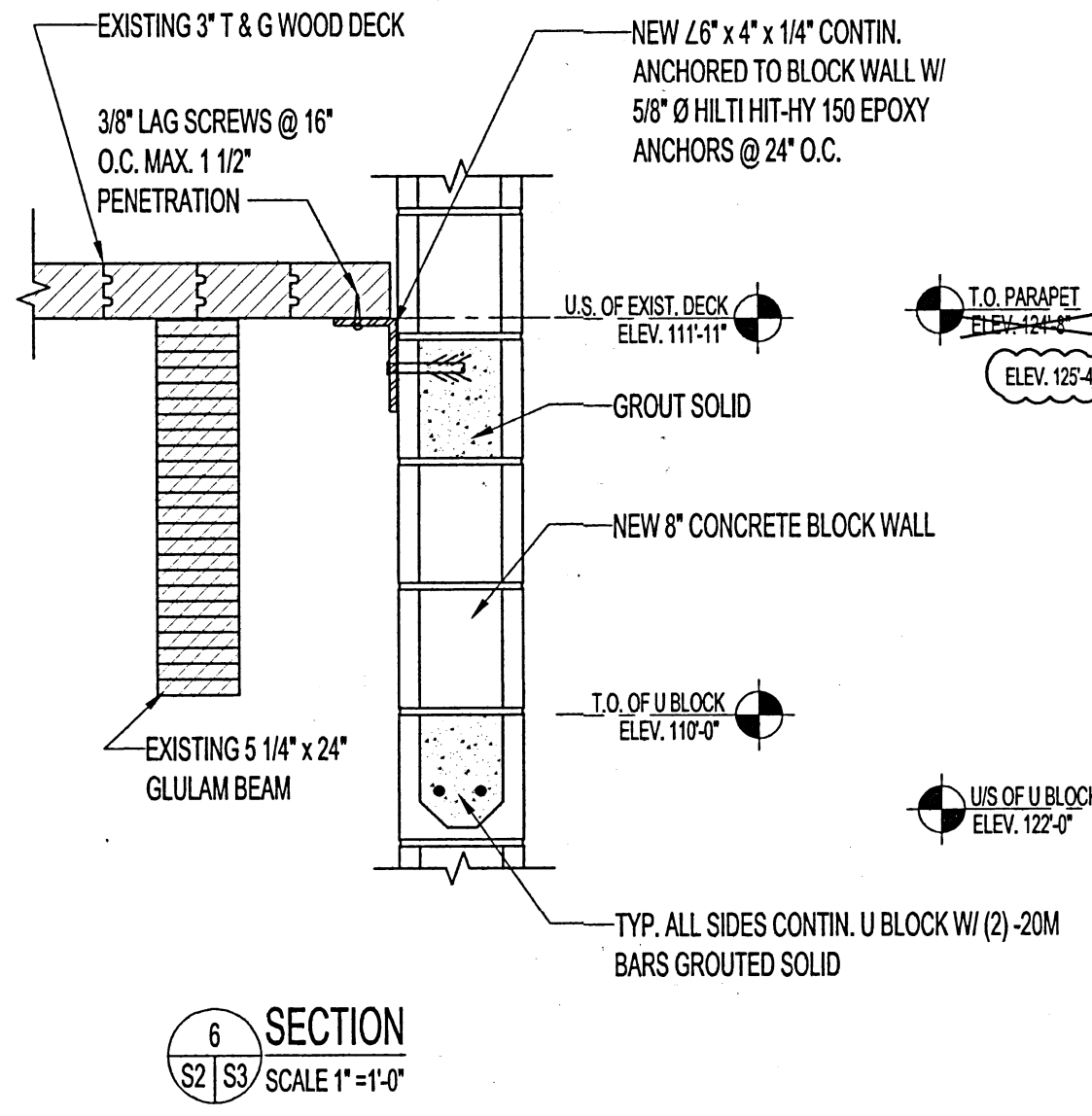
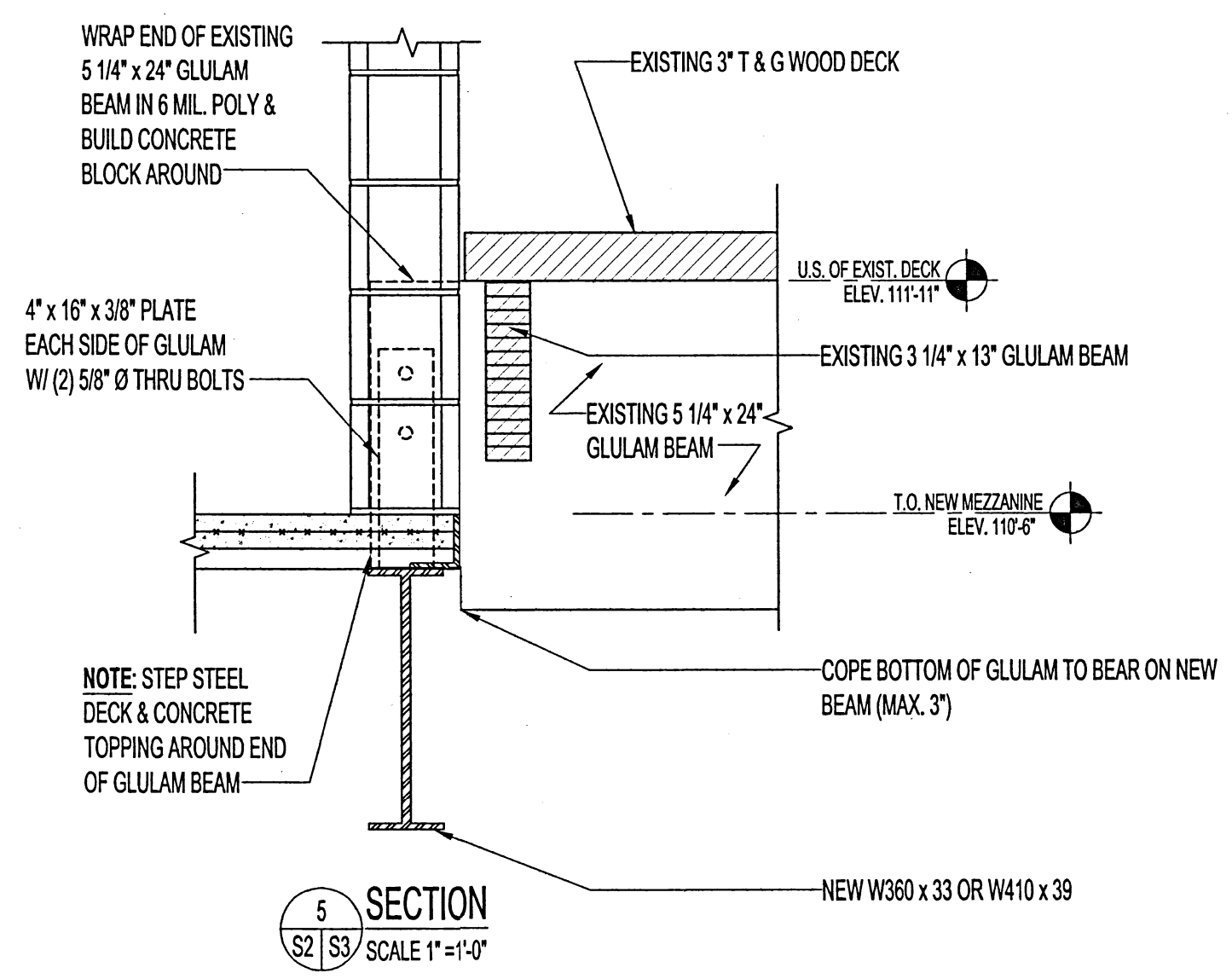
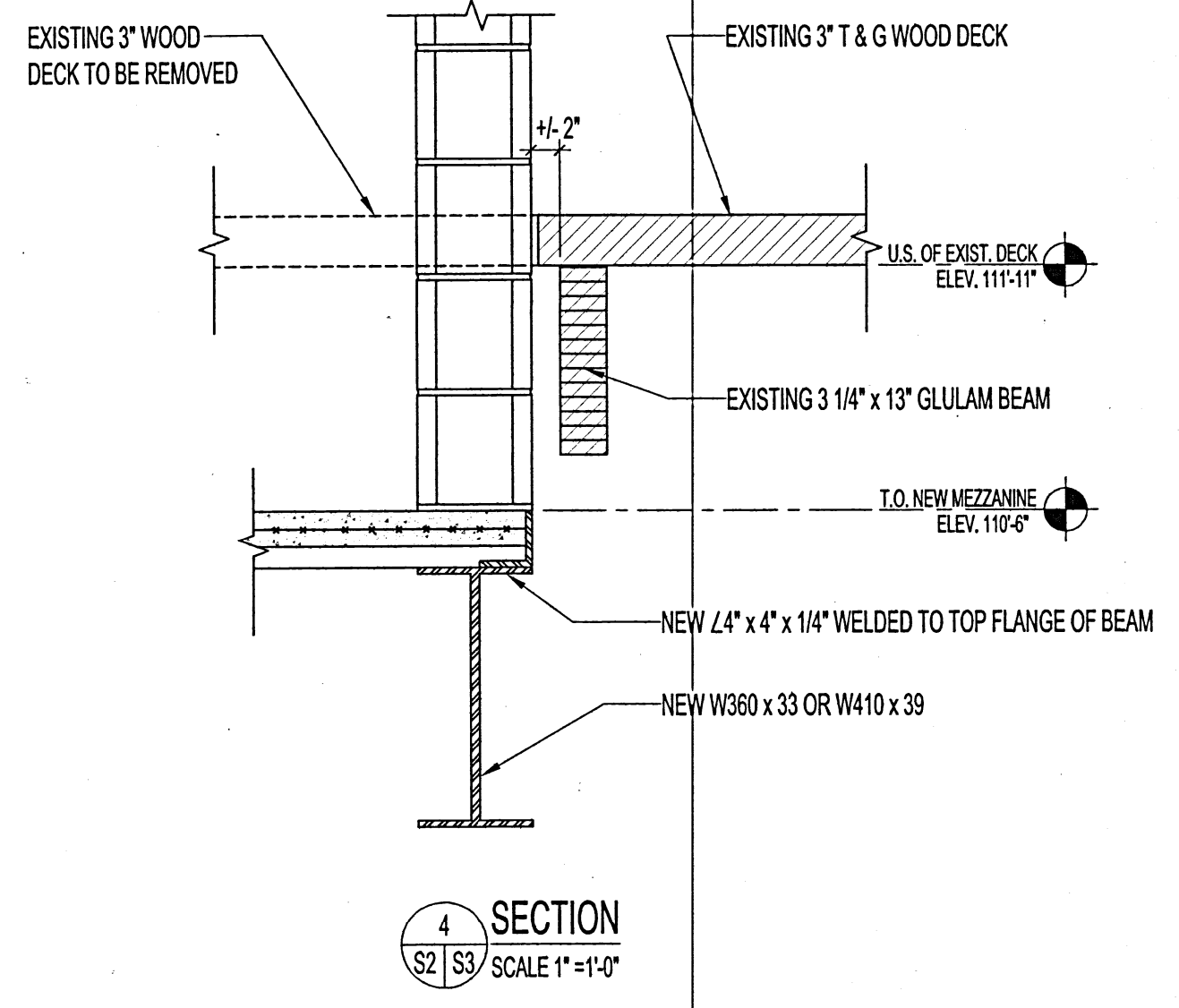
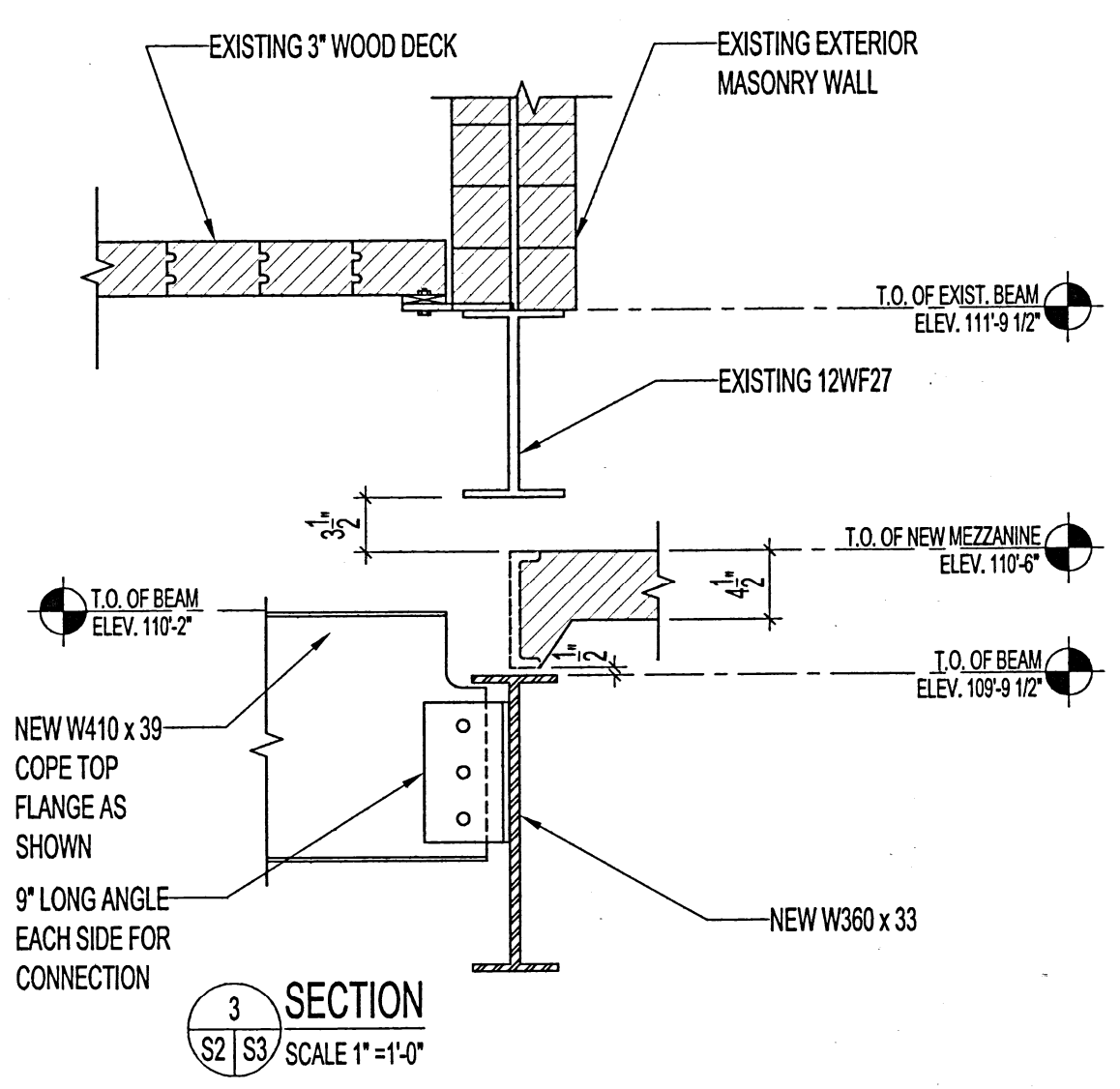
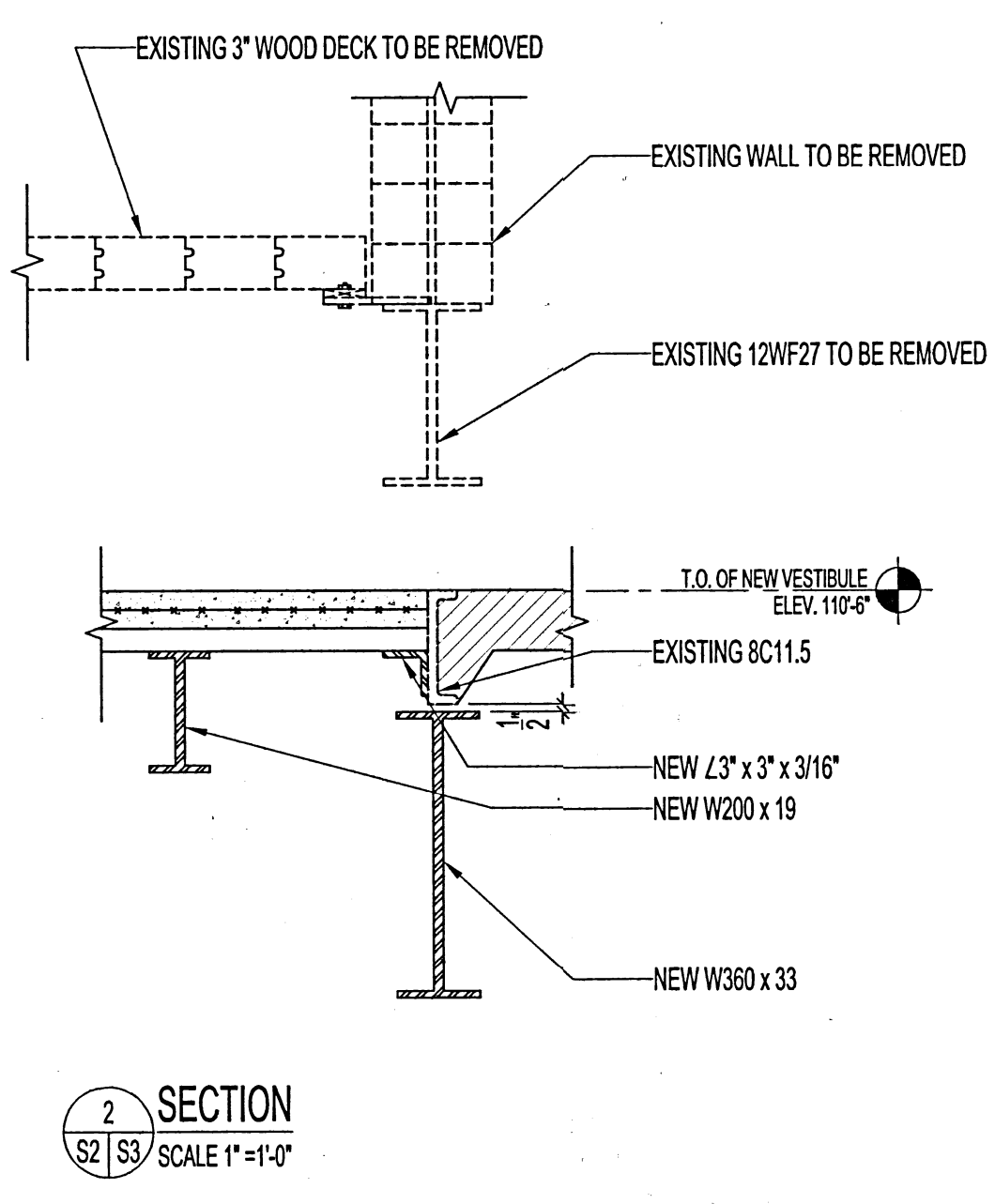
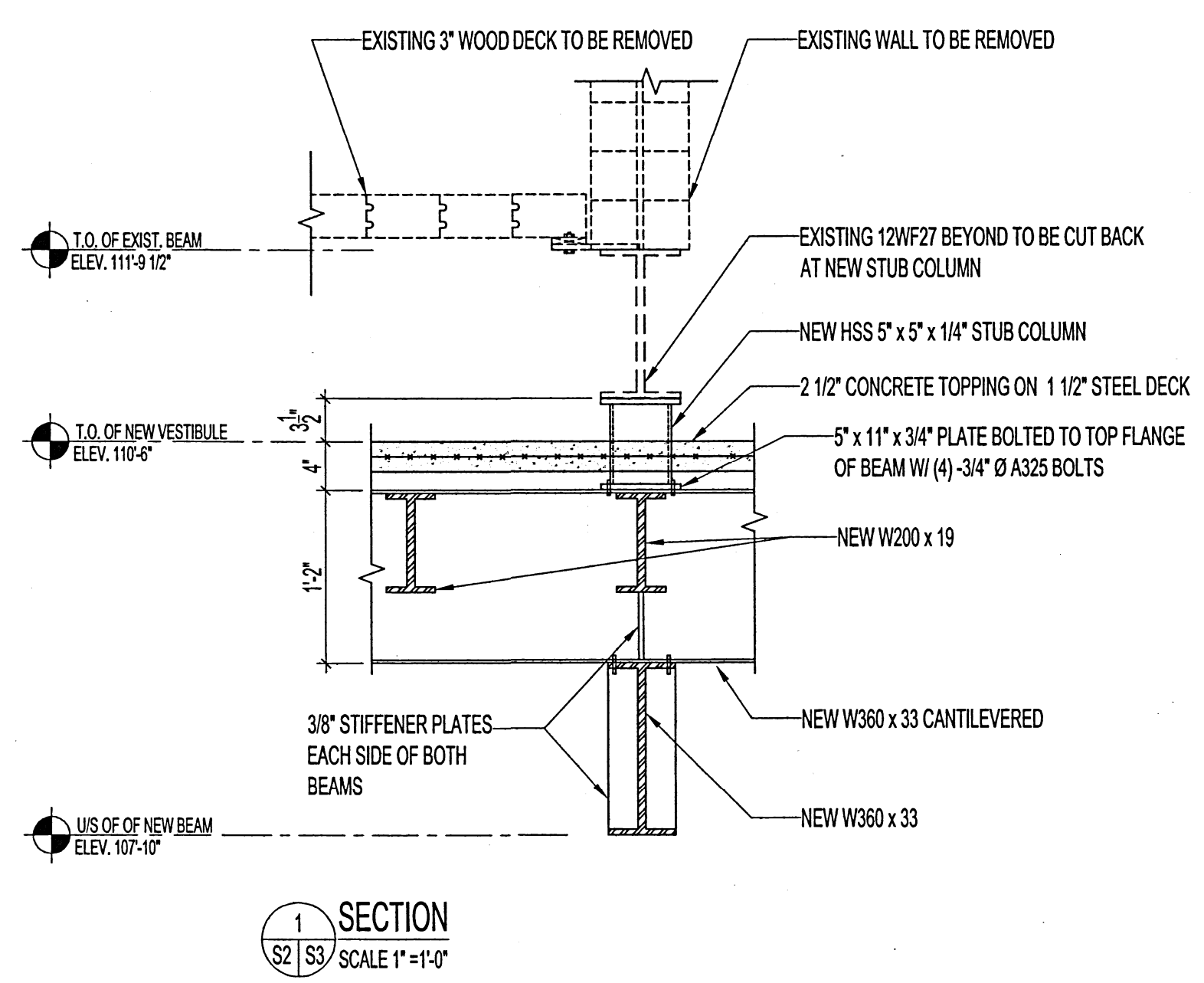
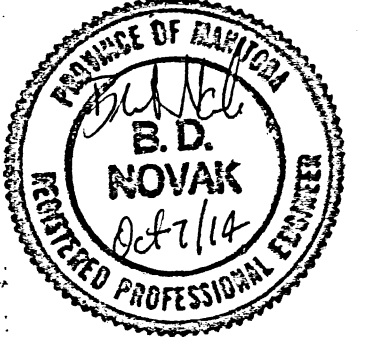


NOTES:



1 ELEVATOR SHAFT HEIGHTS (ELEVATIONS) REVISED
HOIST BEAM DISTANCE TO ROOF REVISED MMK 2014.10.06

No.	REVISION/DESCRIPTION	BY	DATE



DATE	USER	APPROVAL
2014.07.11		

THE CITY OF WINNIPEG
PLANNING, PROPERTY AND
DEVELOPMENT DEPARTMENT
MUNICIPAL ACCOMMODATIONS DIVISION
3-65 GARRY STREET, R3C 4K4

PROJECT
ST. VITAL LIBRARY
NEW ELEVATOR INSTALLATION

6 FERMOR AVENUE
SHEET TITLE

STRUCTURAL DETAILS

SCALE AS SHOWN PROJECT No: SHEET No: S3R1
DRAWING SHEET SIZE: A1 (841mm x 594mm) PLOT 1:1