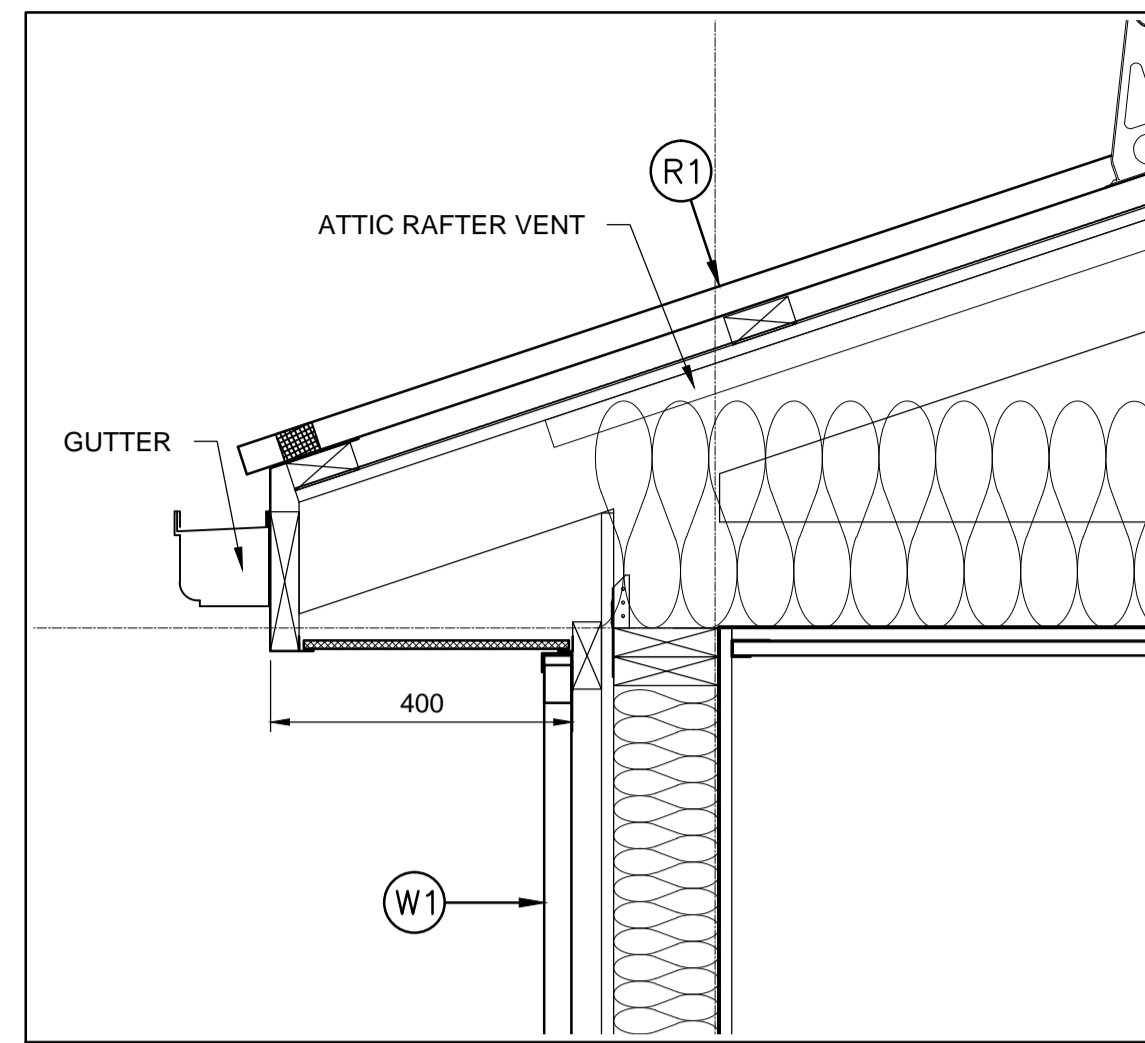
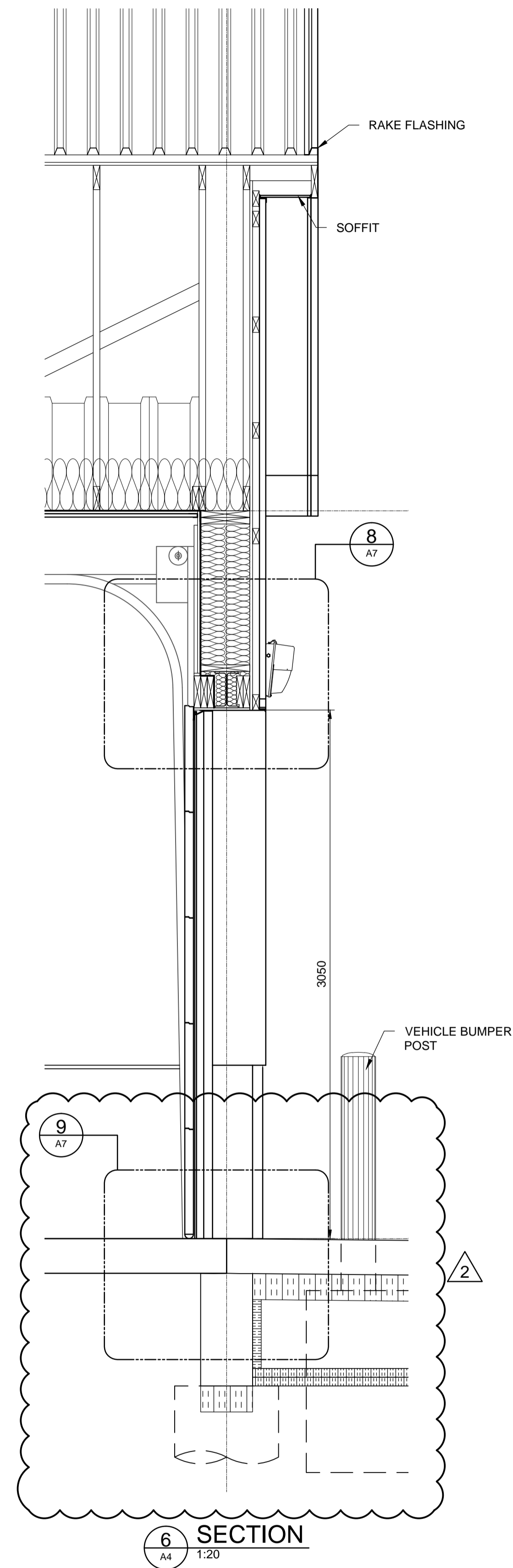
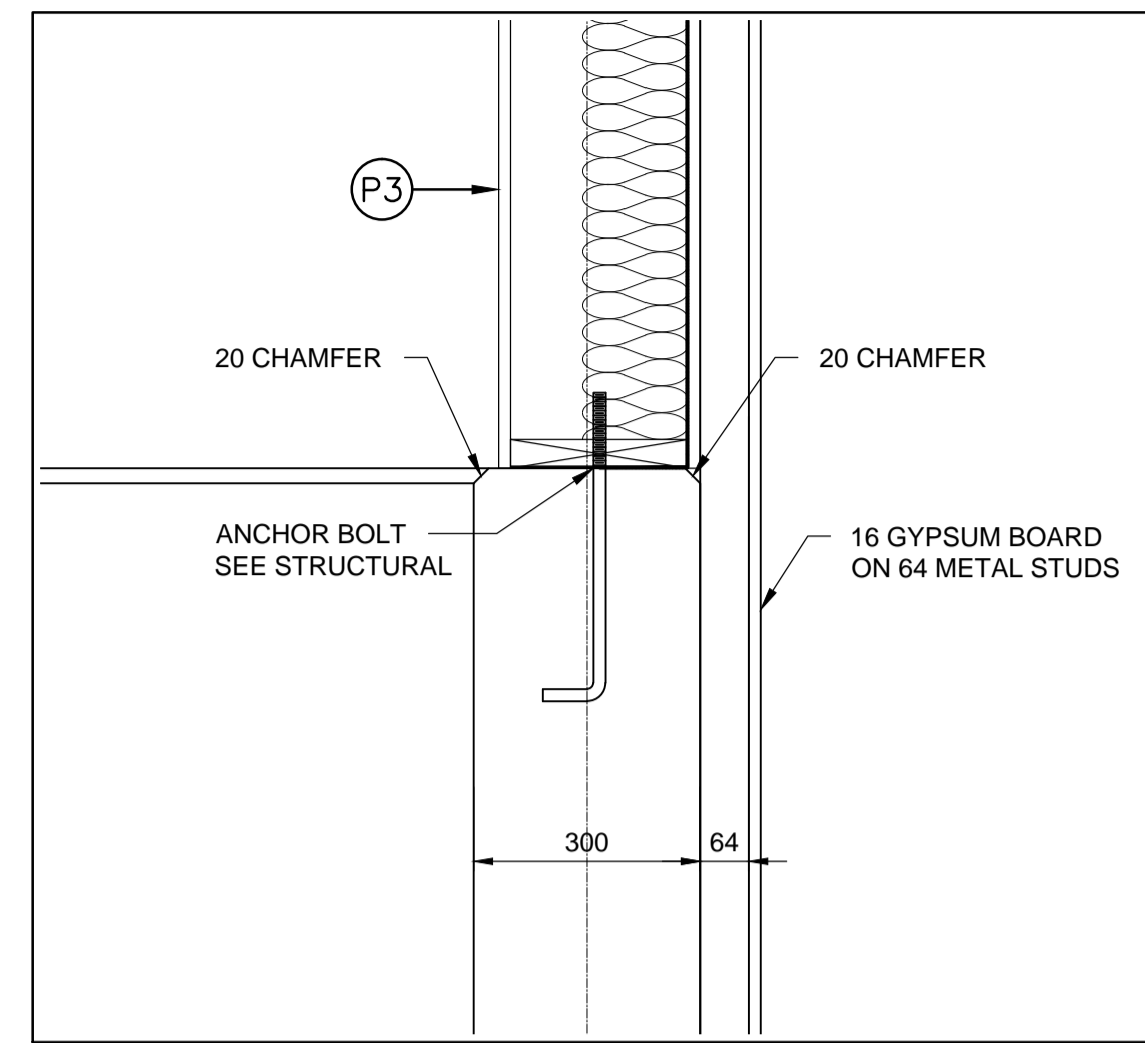


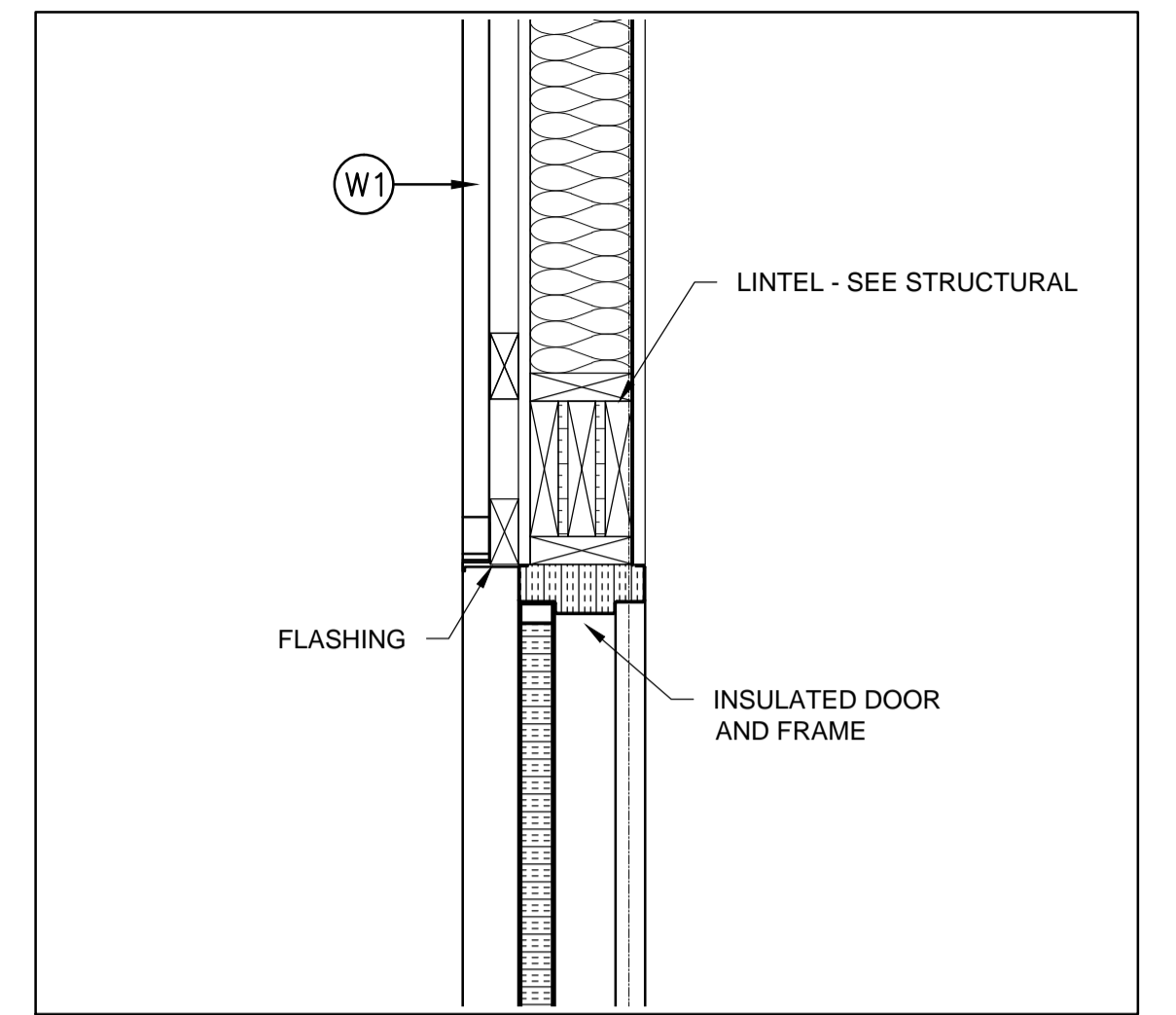
C:\projectwise_working_directory\active\408skb\02045764\138224-01-ARCH-PACIFIC.dwg



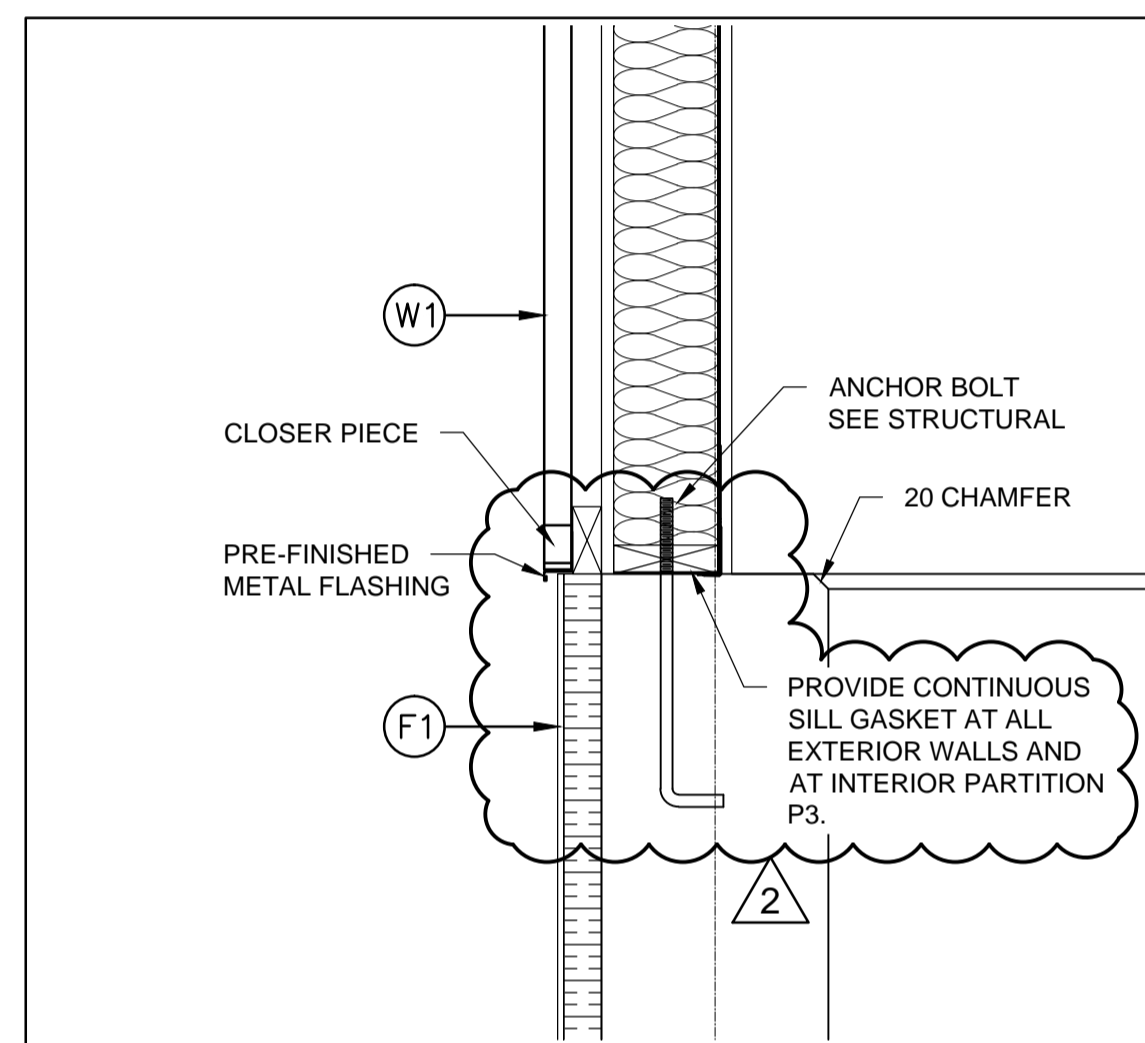
1 DETAIL
A6 1:10



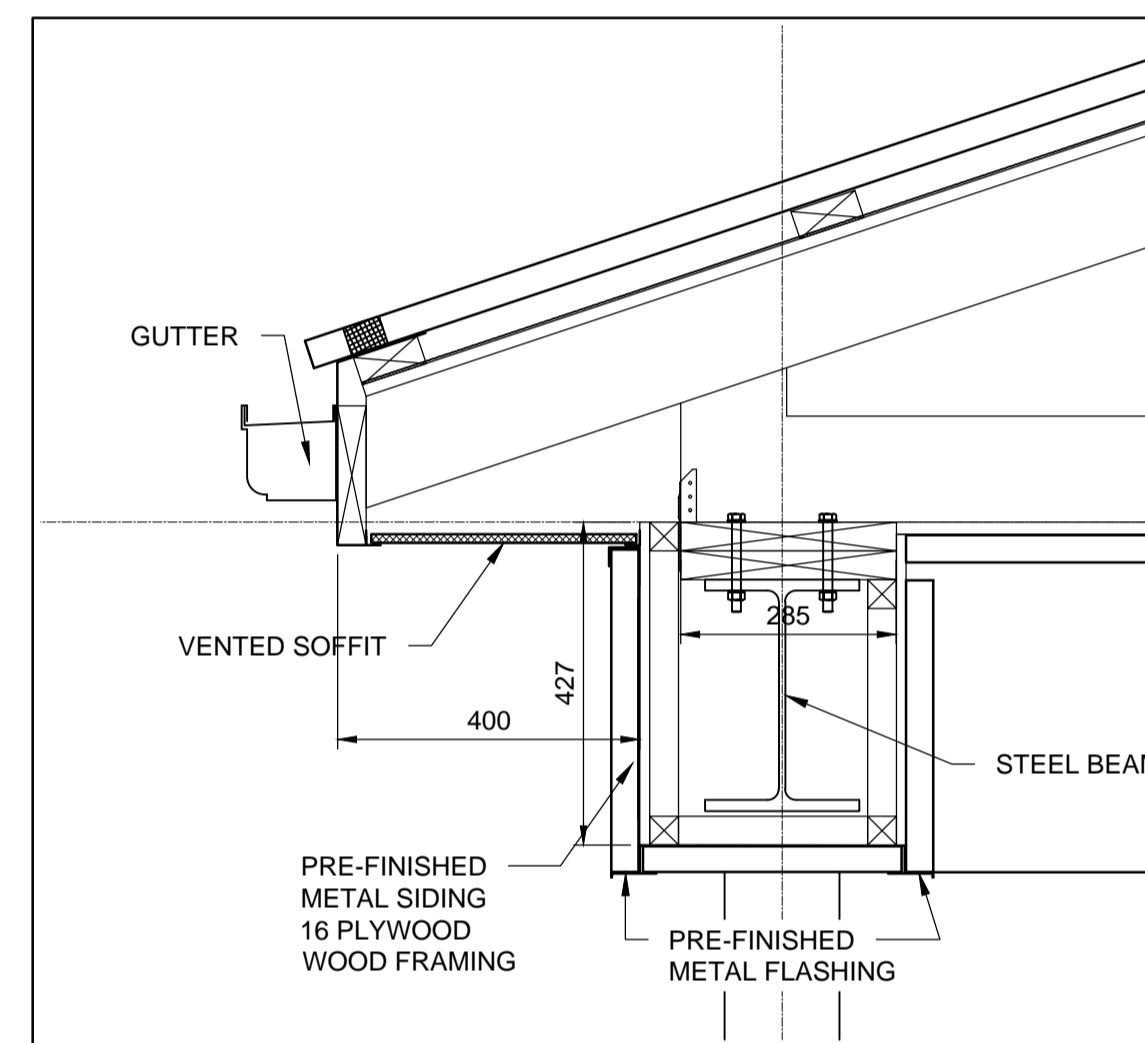
4 DETAIL
A6 1:10



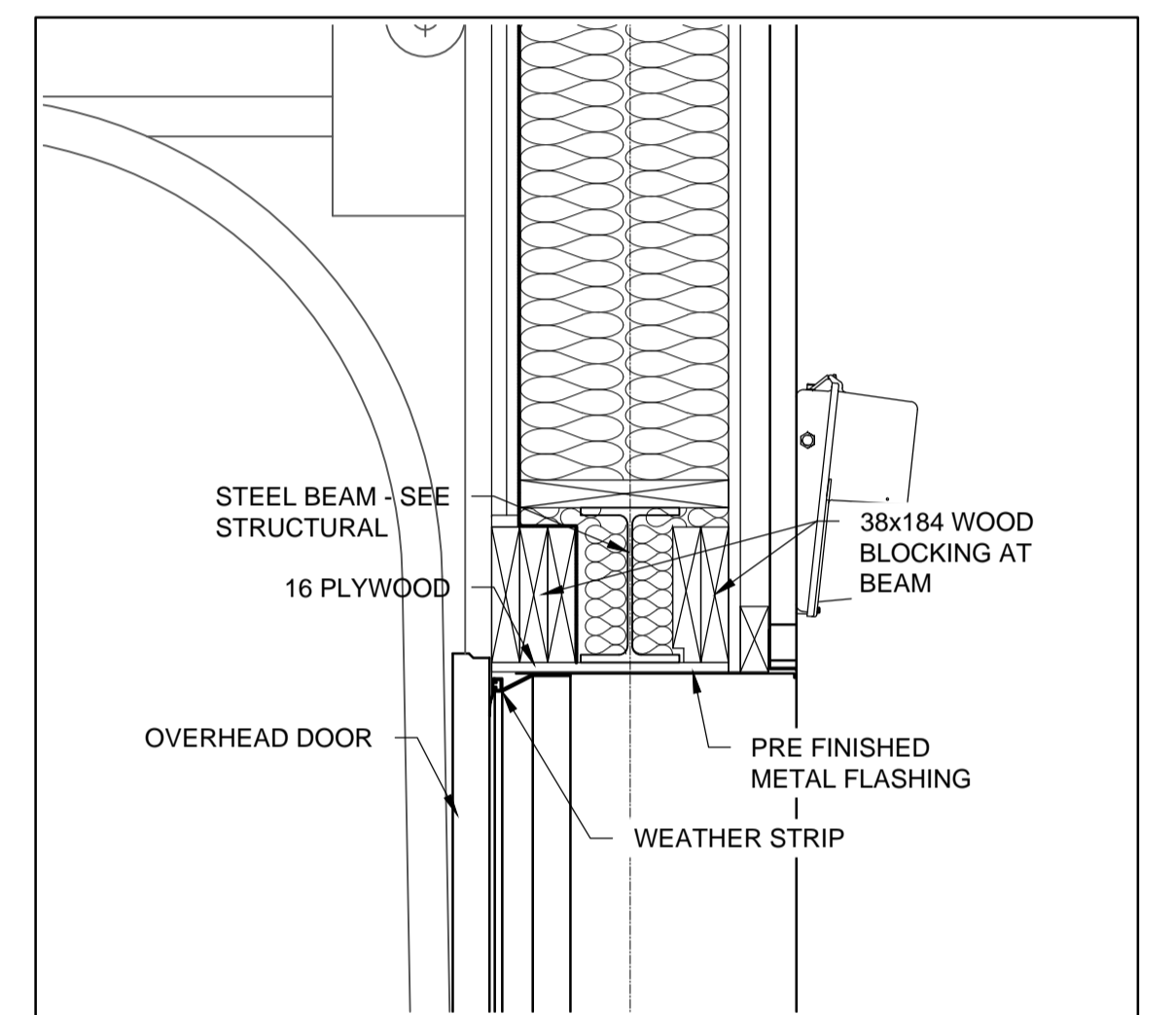
7 DETAIL
A6 1:10



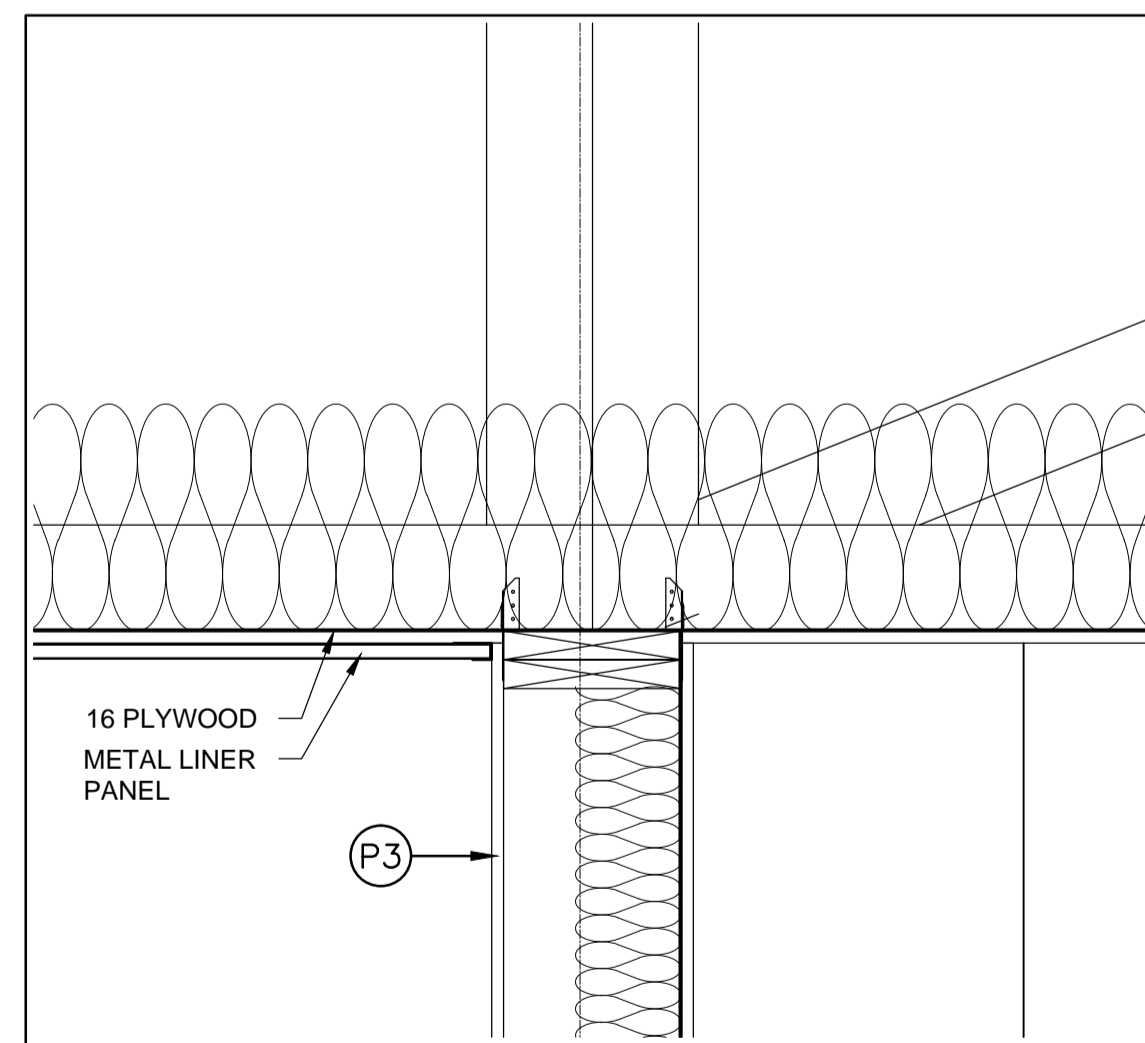
2 DETAIL
A6 1:10



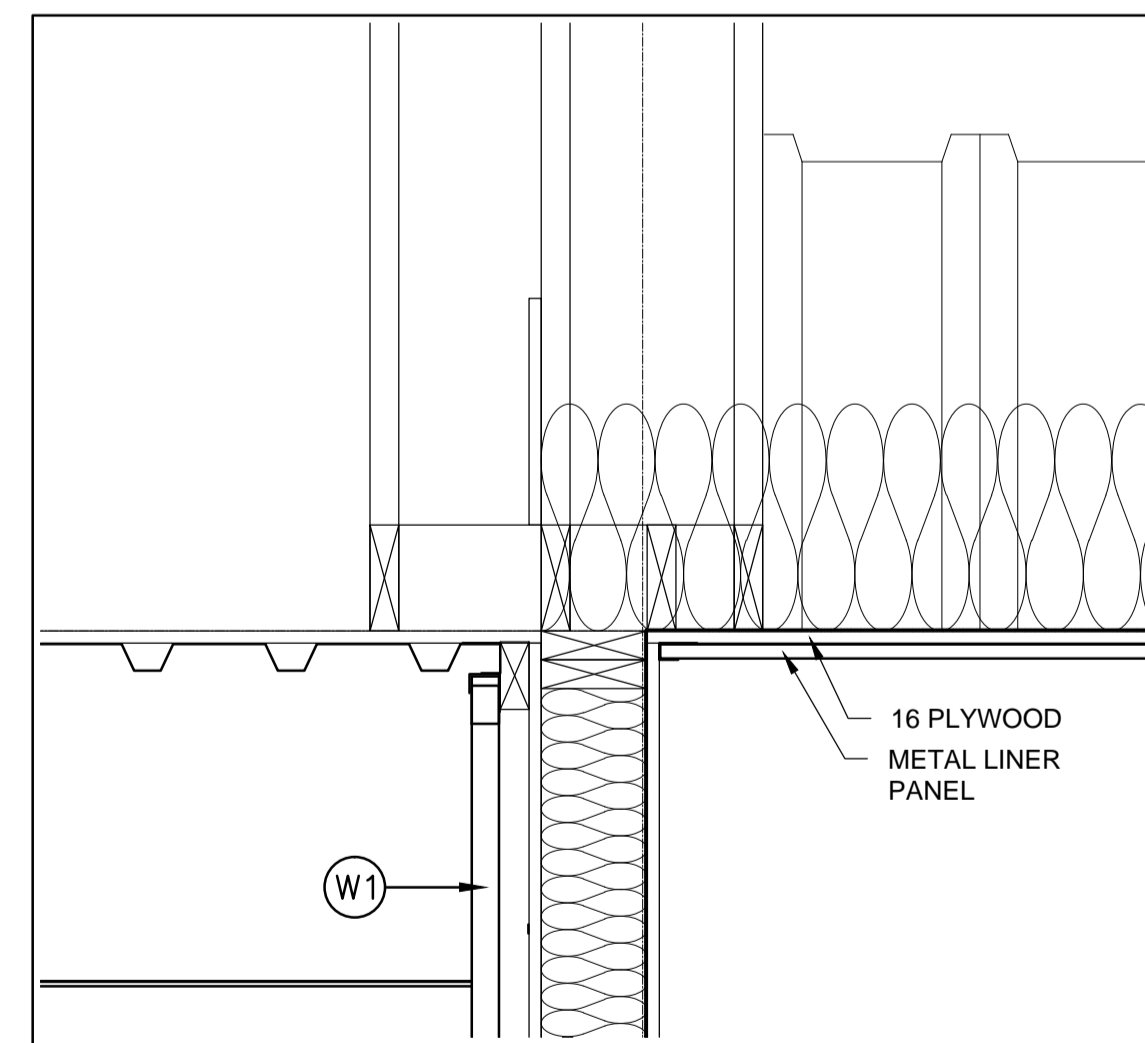
5 DETAIL
A6 1:10



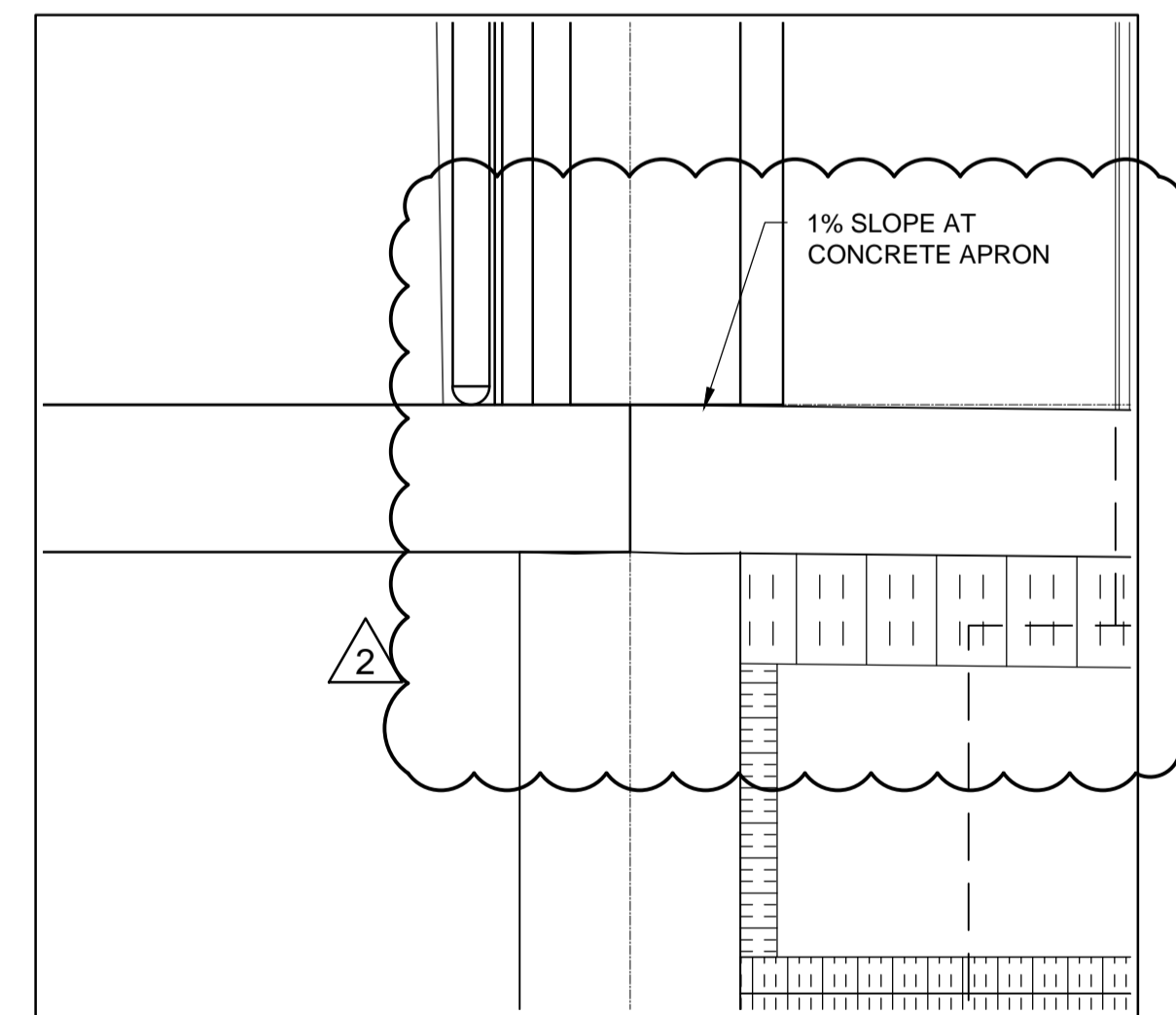
8 DETAIL
A6 1:10



3 DETAIL
A6 1:10



6 DETAIL
A6 1:10



9 DETAIL
A6 1:10

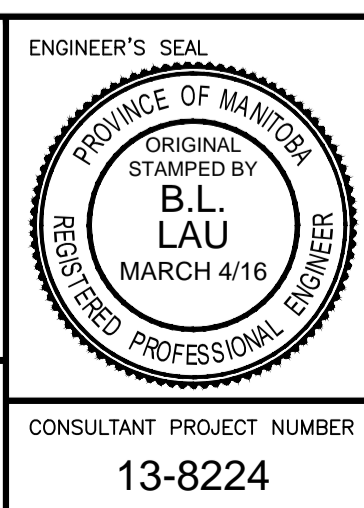
METRIC

WHOLE NUMBERS INDICATE MILLIMETRES
DECIMALIZED NUMBERS INDICATE METRES



NO.	REVISIONS	DATE	BY
2	ISSUED FOR ADDENDUM # 1	16/03/14	ARR
1	ISSUED FOR TENDER	16/03/04	ARR

DESIGNED BY	LDP
DRAWN BY	PDR
CHECKED BY	LDP
APPROVED BY	ARR
HOR. SCALE	AS NOTED
VERTICAL	
DATE	



THE CITY OF WINNIPEG
PUBLIC WORKS DEPARTMENT

4R WINNIPEG DEPOT
PACIFIC AVENUE

HHW EWASTE BUILDING
WALL SECTIONS, DETAILS

CITY DRAWING NUMBER
1-0851A-A0007-001

SHEET 29 OF 43

CONSULTANT DRAWING NUMBER
A-7

PROVINCE OF MANITOBA
REGISTERED PROFESSIONAL ENGINEER
ORIGINAL STAMPED BY
B.L. LAU
MARCH 4/16

CONSULTANT PROJECT NUMBER
13-8224