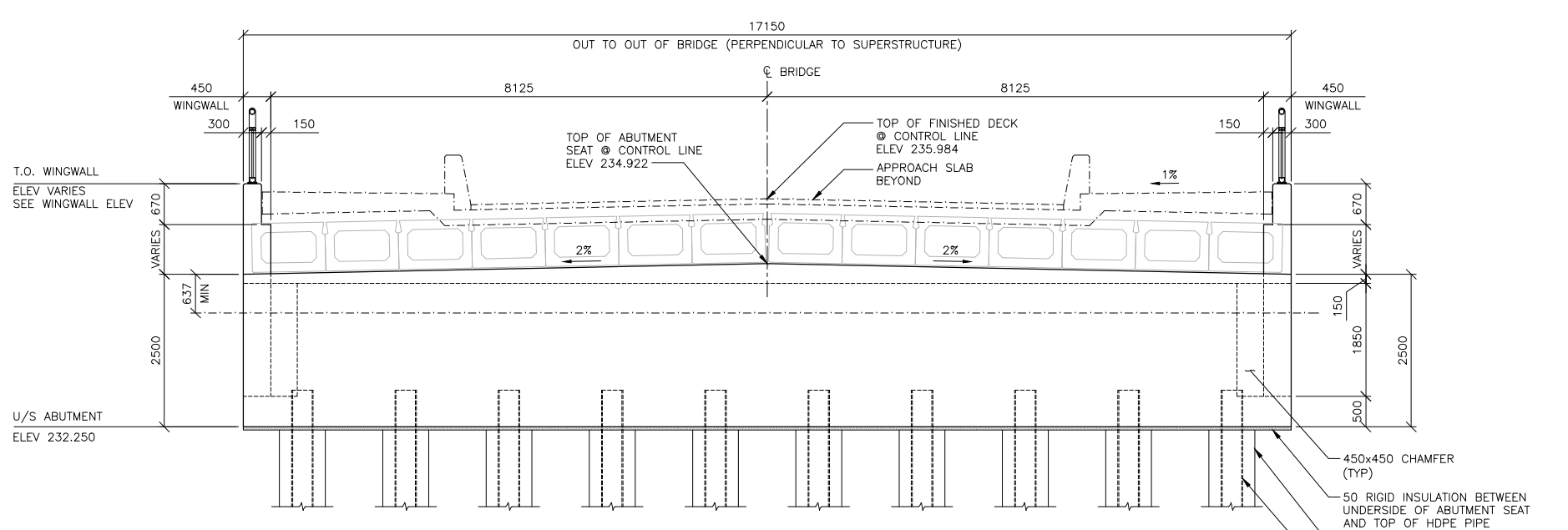
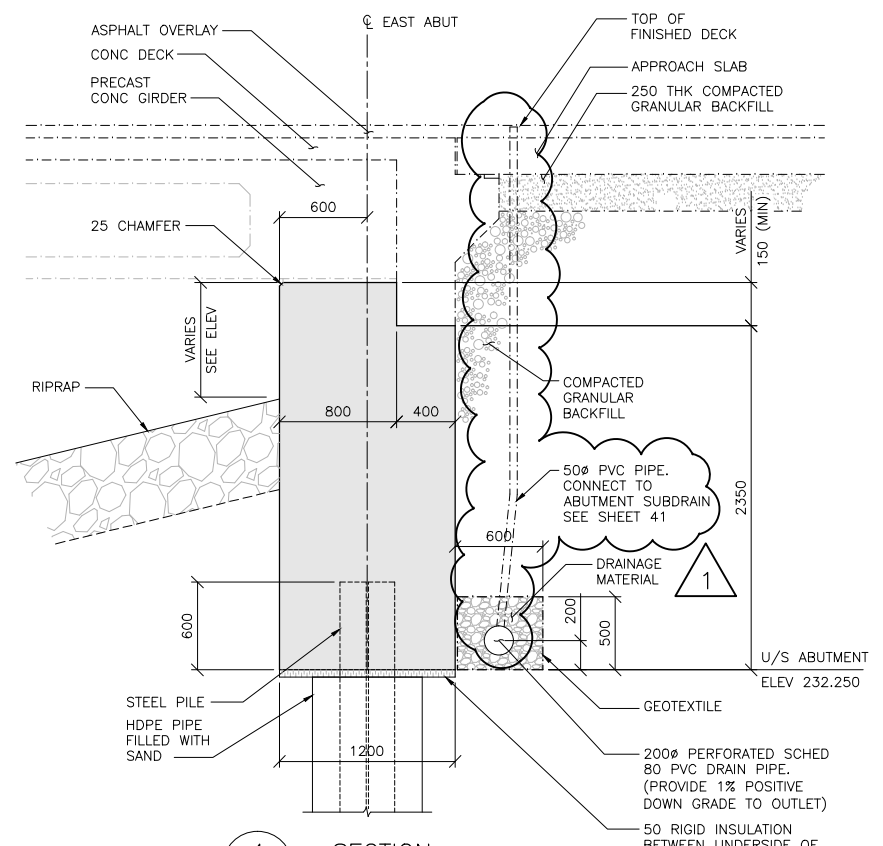


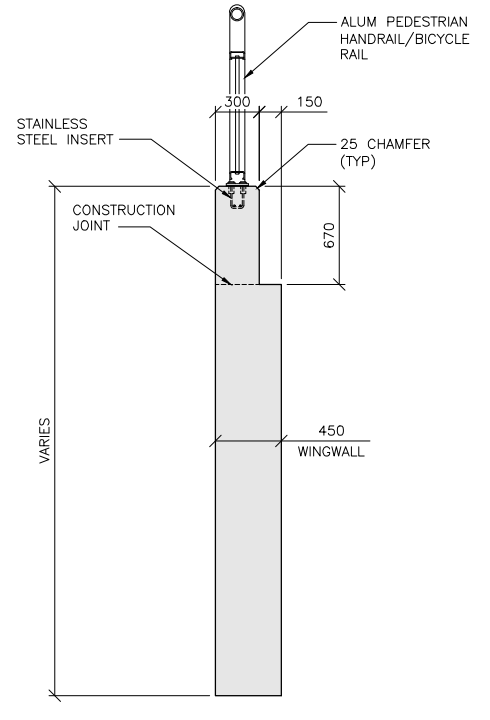
**2 WINGWALL ELEVATION**  
1 : 50



**3 FRONT ELEVATION**  
1 : 50  
- ALL DIMENSIONS TAKEN PERPENDICULAR TO SUPERSTRUCTURE



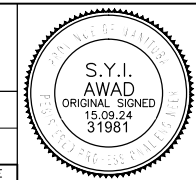
**4 SECTION**  
1 : 25



**5 SECTION**  
1 : 25



B.M. ELEV.					
DESIGNED BY	D.M.	CHECKED BY	S.A.		
DRAWN BY	G.I.	APPROVED BY	E.F.S.		
1	ISSUED FOR ADDENDUM 1	15.10.08	D.M.		
0	ISSUED FOR TENDER	15.09.24	S.A.		
NO. REVISIONS		DATE	BY	DATE	15.09.24
HOR. SCALE: AS NOTED		ACCEPTED BY	DATE	15.09.24	
VERTICAL:		ORIGINAL DRAWING SIGNED BY: D.N. BURMEY, P.ENG.		CONSULTANT DRAWING NO. 1400070800-DWG-S0017	
		D.N. BURMEY, P.ENG. BRIDGE PROJECTS ENGINEER			



**THE CITY OF WINNIPEG**  
PUBLIC WORKS DEPARTMENT  
ENGINEERING DIVISION

**Winnipeg**

NESS AVENUE AT STURGEON CREEK  
BRIDGE CONSTRUCTION

CITY DRAWING NUMBER  
B243-15-017  
SHEET 17 OF 64

EAST ABUTMENT  
CONCRETE DETAILS

17