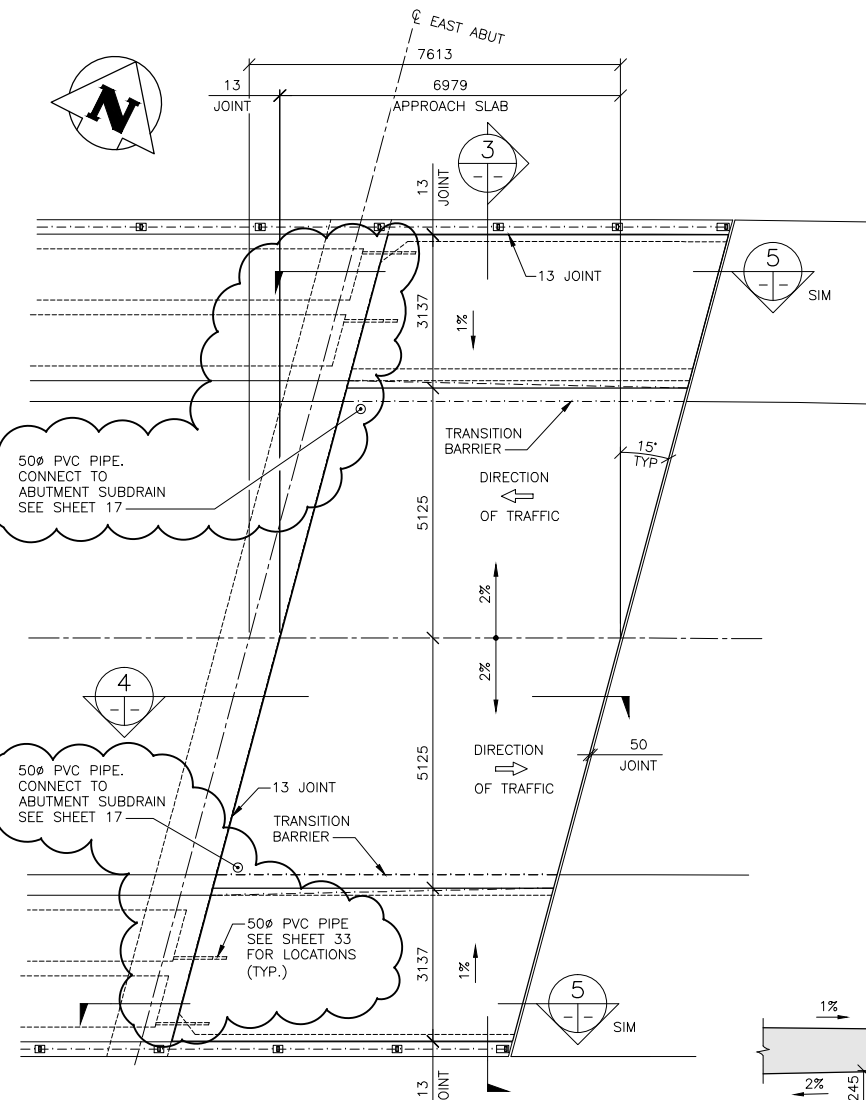
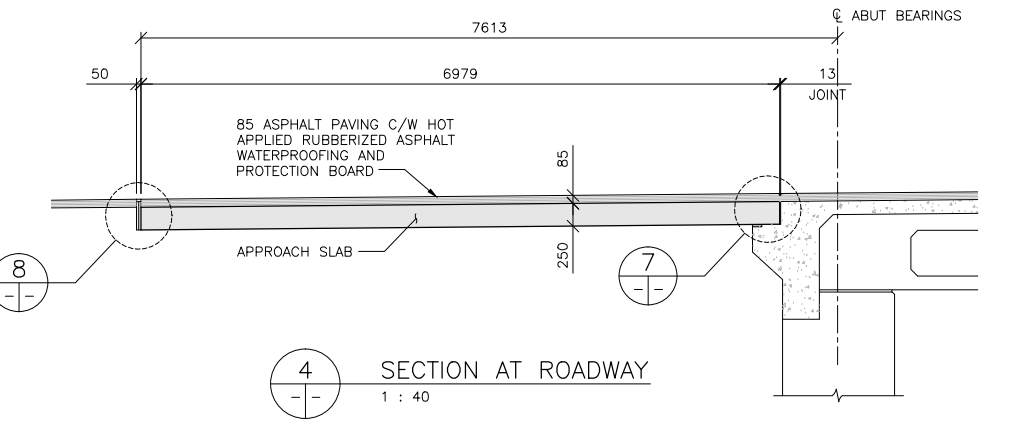


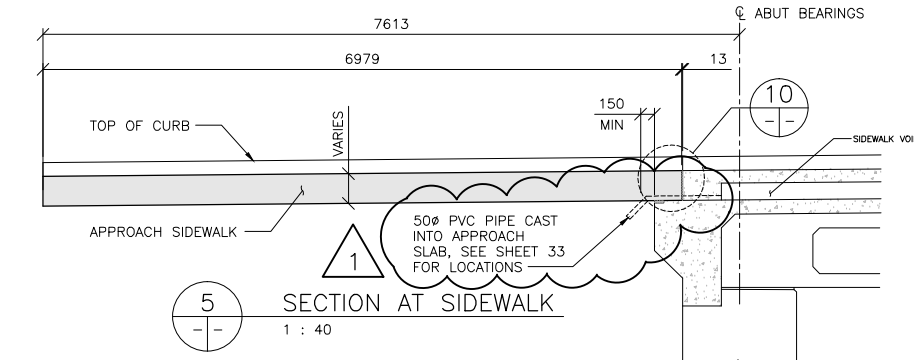
1 WEST APPROACH SLAB - PLAN  
1 : 75



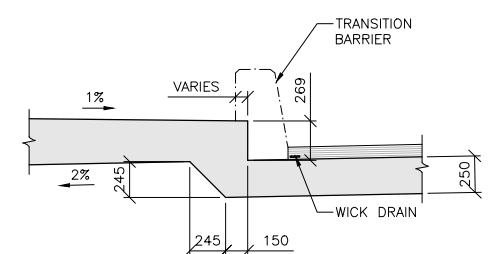
2 EAST APPROACH SLAB - PLAN  
1 : 75



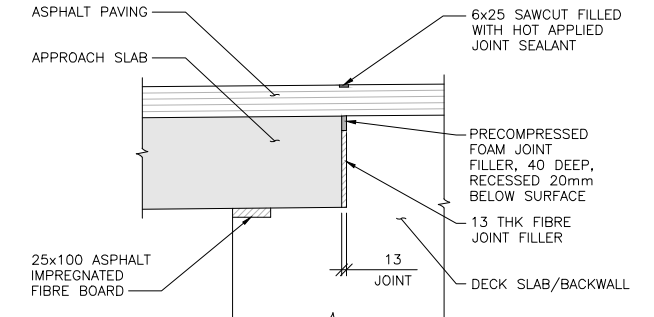
4 SECTION AT ROADWAY  
1 : 40



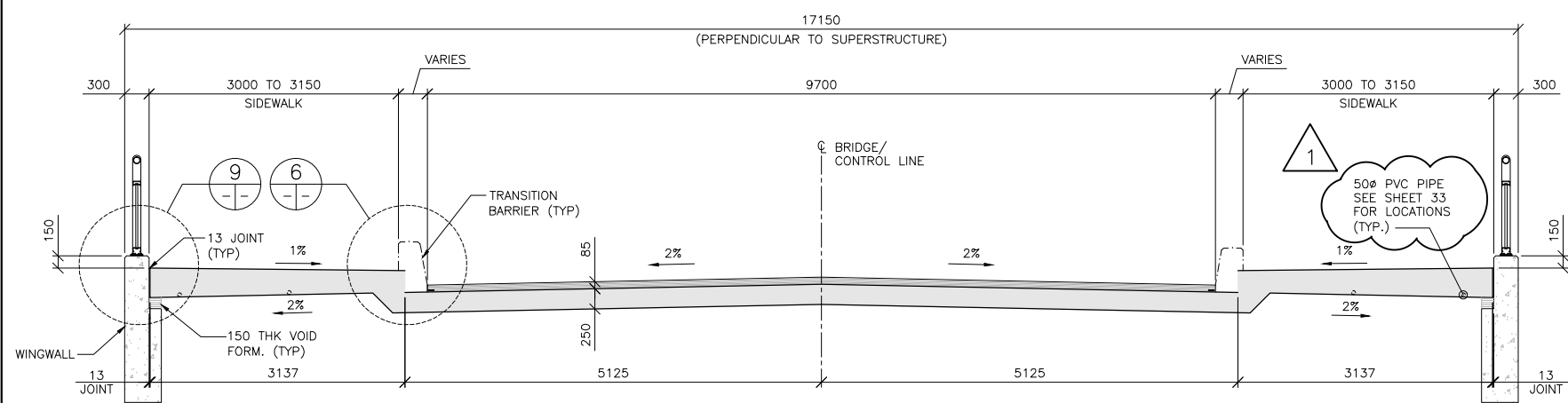
5 SECTION AT SIDEWALK  
1 : 40



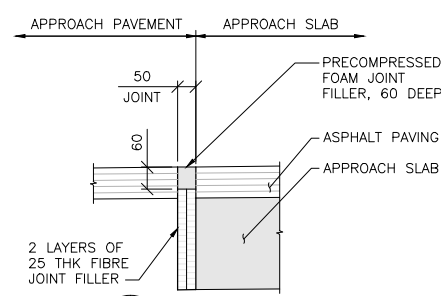
6 DETAIL  
1 : 25



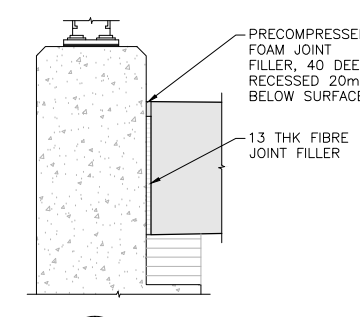
7 DETAIL  
1 : 10



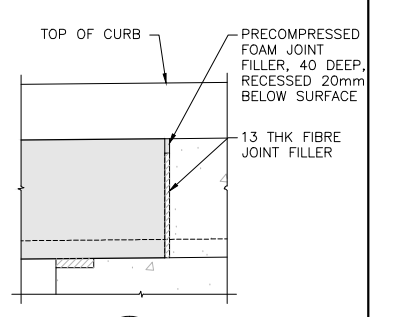
3 APPROACH SLAB - CROSS SECTION  
1 : 40  
- ALL DIMENSIONS TAKEN PERPENDICULAR TO SUPERSTRUCTURE



8 DETAIL  
1 : 10



9 DETAIL  
1 : 10

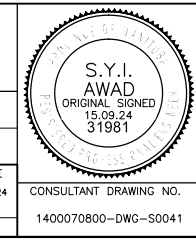


10 DETAIL  
1 : 10



NO.	REVISIONS	DATE	BY
1	ISSUED FOR ADDENDUM 1	15.10.08	D.M.
0	ISSUED FOR TENDER	15.09.24	S.A.

<b>TETRA TECH</b>	
DESIGNED BY: D.M.	CHECKED BY: S.A.
DRAWN BY: G.I.	APPROVED BY: E.F.S.
HOR. SCALE: AS NOTED	
VERTICAL: AS NOTED	
ACCEPTED BY: DATE 15.09.24	
ORIGINAL DRAWING SIGNED BY: D.N. BURMEY, P.ENG.	
D.N. BURMEY, P.ENG. BRIDGE PROJECTS ENGINEER	



**THE CITY OF WINNIPEG**  
PUBLIC WORKS DEPARTMENT  
ENGINEERING DIVISION

NESS AVENUE AT STURGEON CREEK  
BRIDGE CONSTRUCTION

EAST AND WEST APPROACH SLAB  
CONCRETE DETAILS

CITY DRAWING NUMBER  
B243-15-041  
SHEET 41 OF 64

CONSULTANT DRAWING NO.  
1400070800-DWG-S0041

41