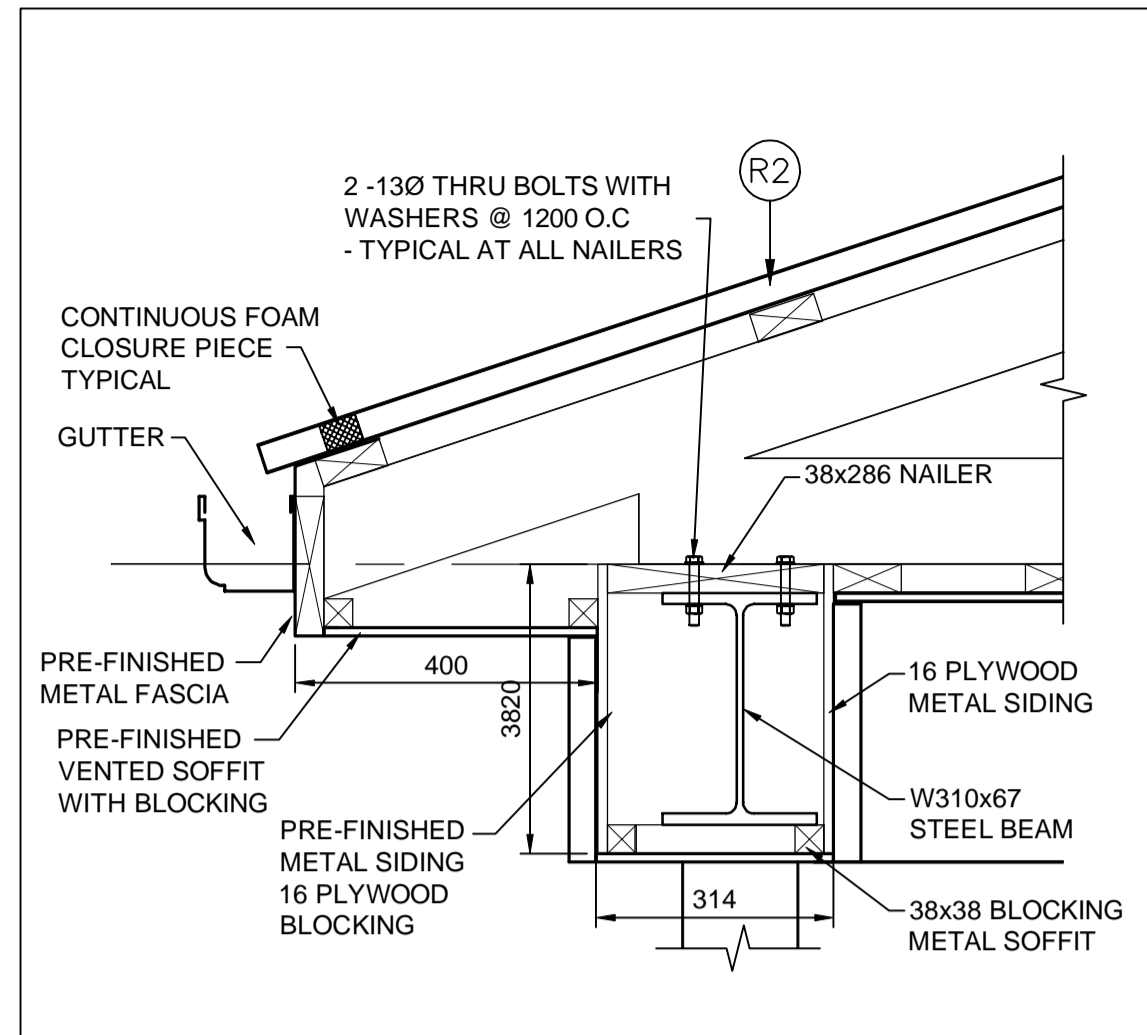
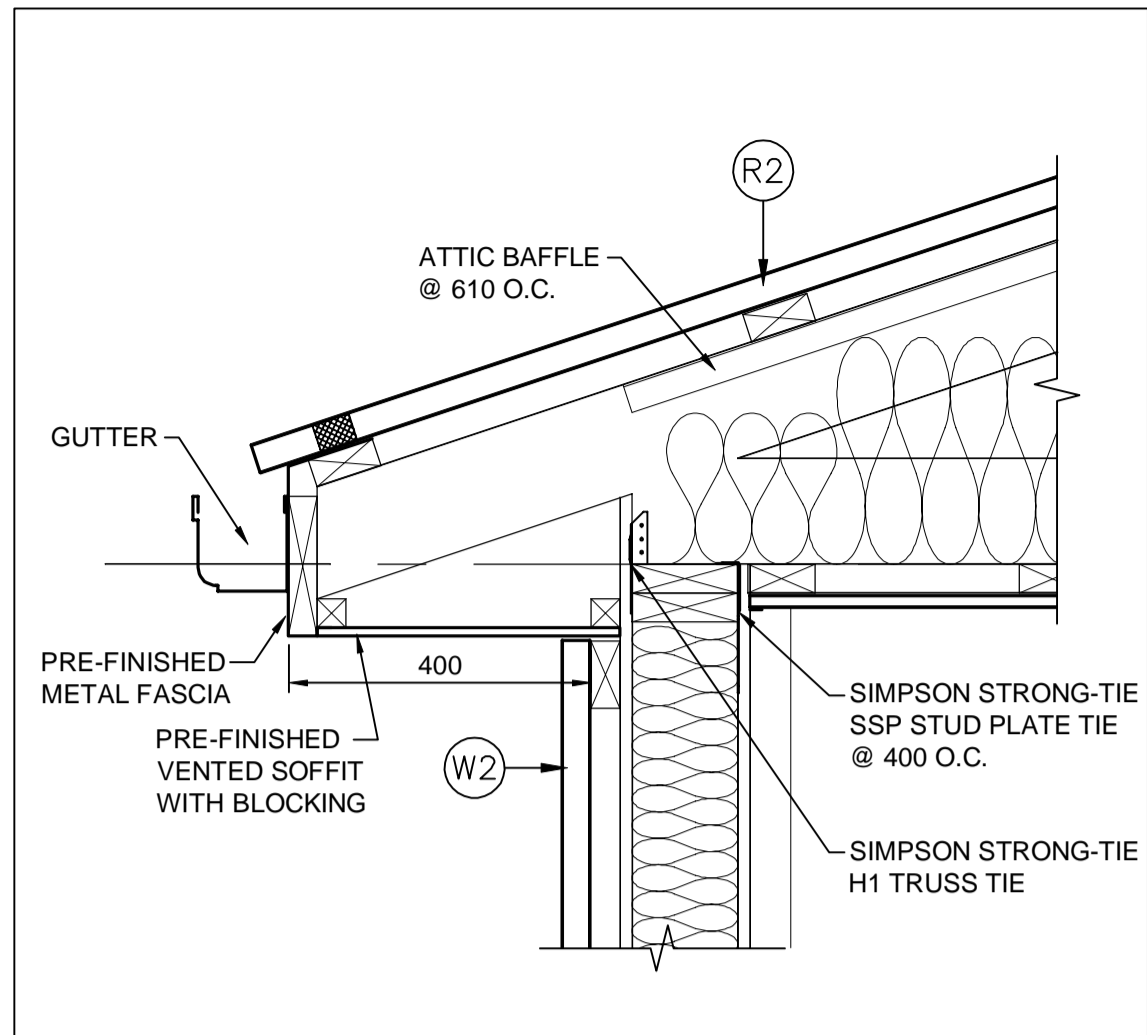


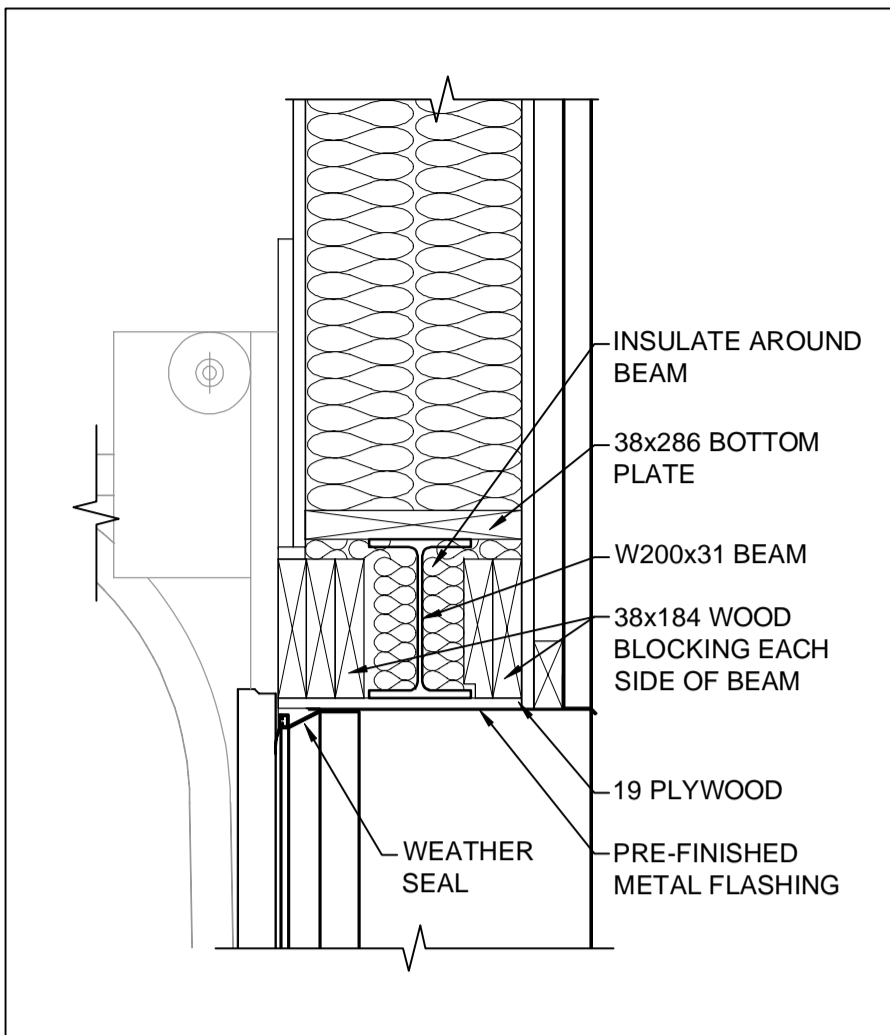
1 DETAIL
A6 1:10



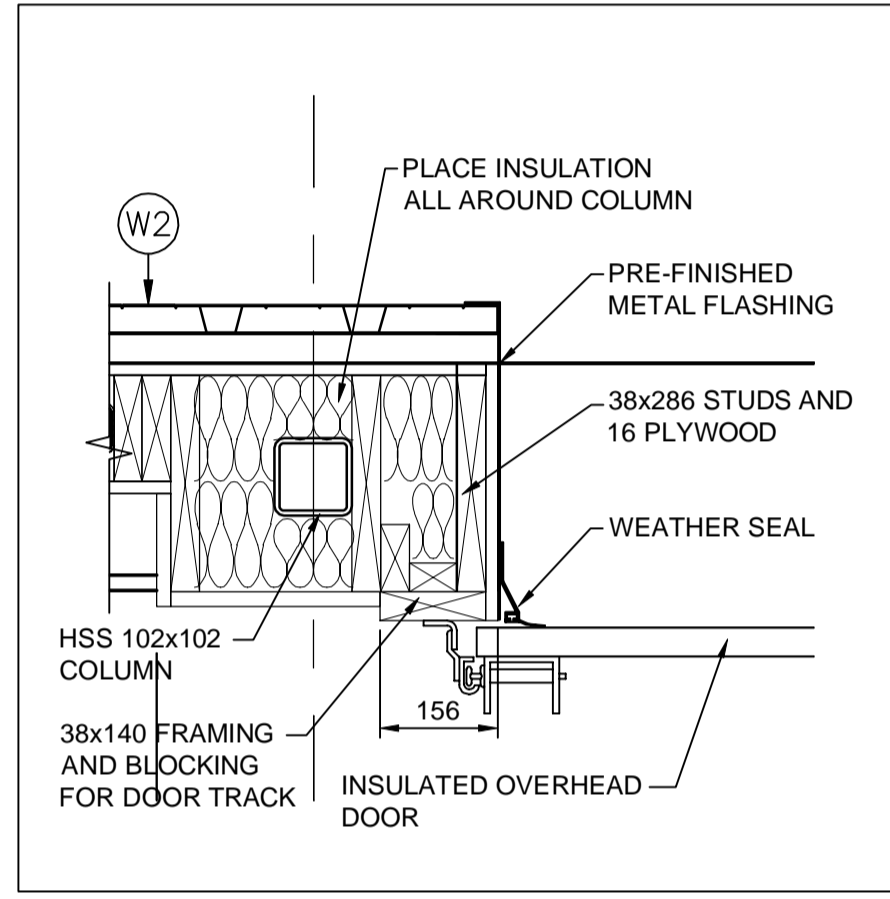
1 DETAIL
A9 1:10



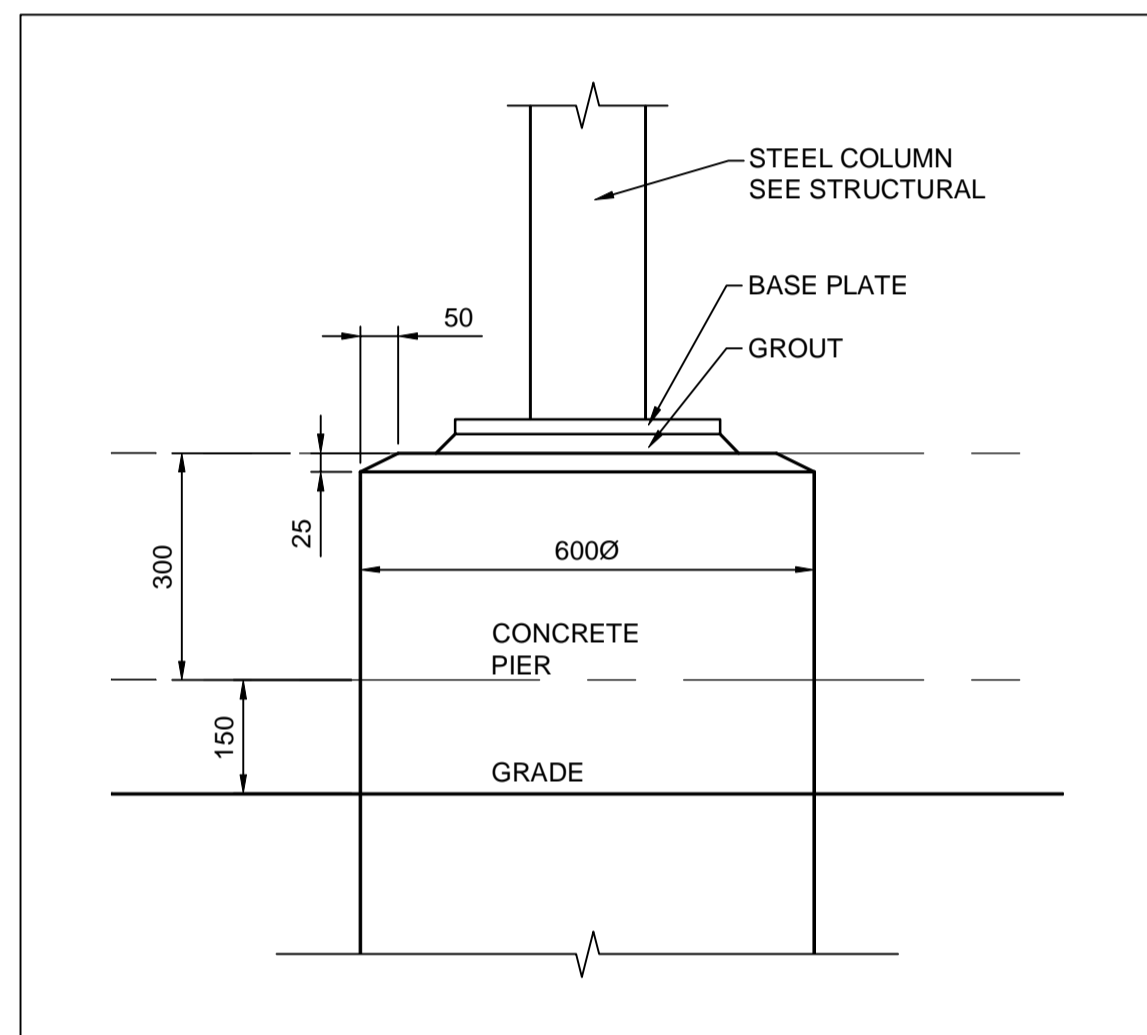
3 DETAIL
A9 1:10



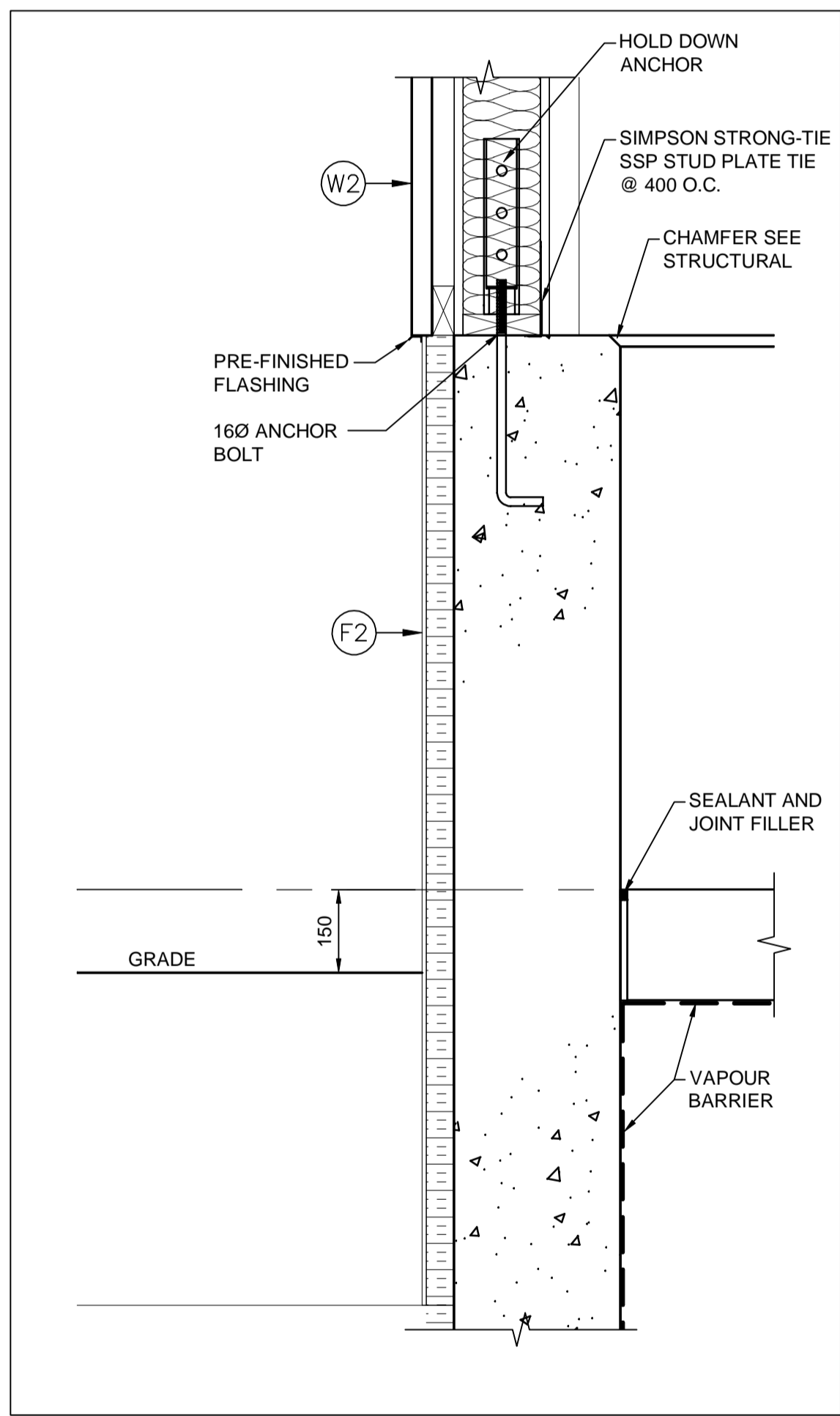
5 DETAIL
A9 1:10



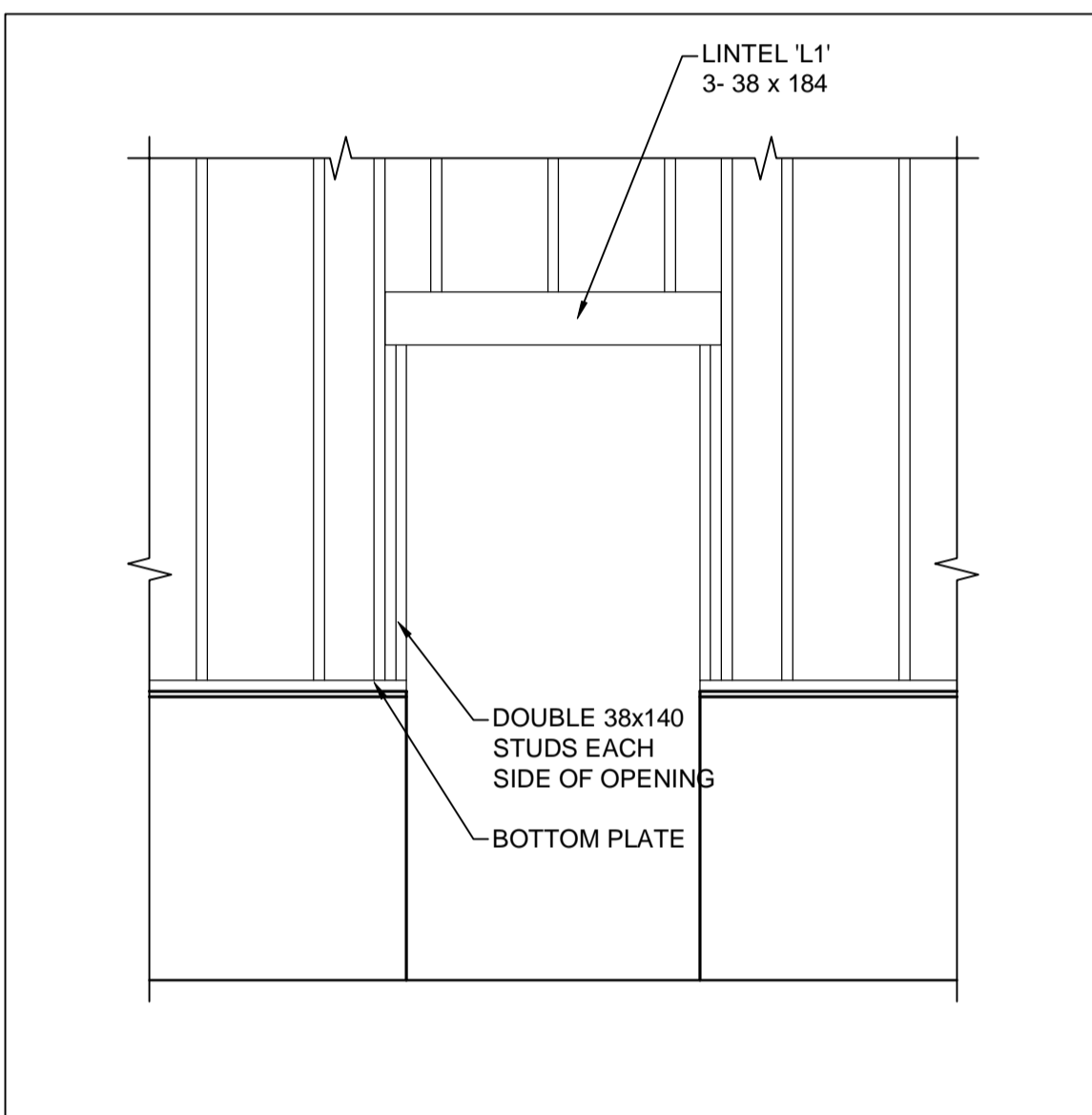
2 DETAIL
A6 1:10



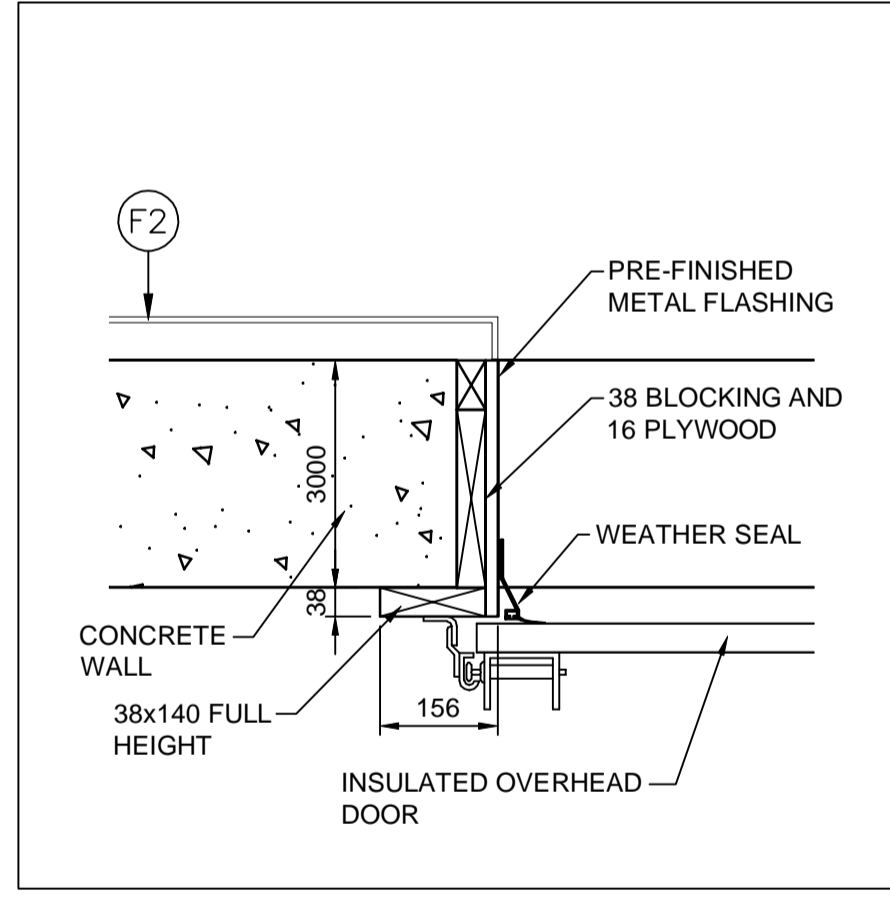
2 DETAIL
A9 1:10



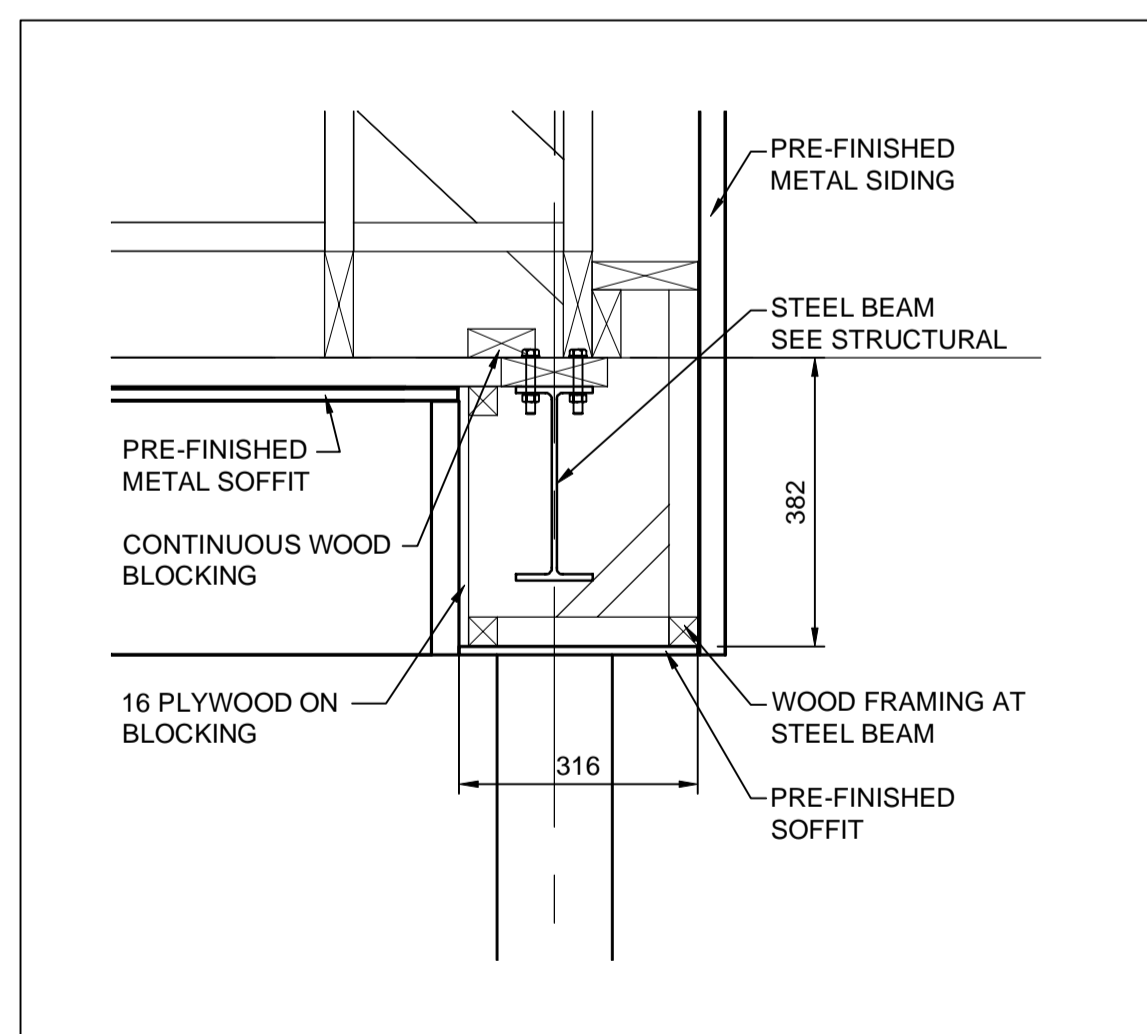
4 DETAIL
A9 1:10



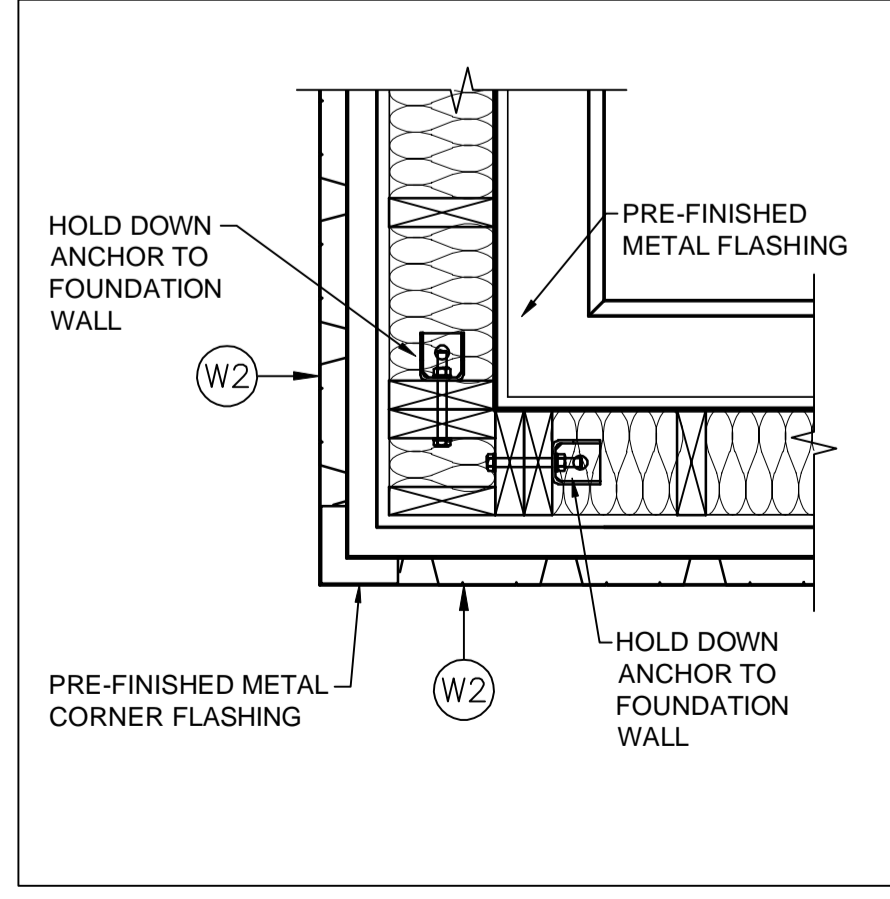
LINTEL 'L1'
1:25



2A DETAIL
A6 1:10



6 DETAIL
A9 1:10



3 DETAIL
A6 1:10

APEGM
Certificate of Authorization
Dillon Consulting Limited (MB)
No. 1789 Date: 2014/07/08

METRIC

WHOLE NUMBERS INDICATE MILLIMETRES
DECIMALIZED NUMBERS INDICATE METRES

B.M. ELEV.	DESIGNED BY	LDP				4R WINNIPEG DEPOT BRADY ROAD RESOURCE MANAGEMENT FACILITY	CITY DRAWING NUMBER	1-0400A-A0010-001
	DRAWN BY	PDR					CHECKED BY	LDP
	HOR. SCALE	AS NOTED	RELEASED FOR CONSTRUCTION	CONSULTANT PROJECT NUMBER	13-8224	HHW EWASTE BUILDING PLAN, SECTION DETAILS	CONSULTANT DRAWING NUMBER	A10 (AD-1)
1	ISSUED FOR ADDENDUM #1	14/07/08	ARR	DATE	JULY 2014			
NO.	REVISIONS	DATE	BY	DATE				

C:\CAD\DWG\138224\01-Architectural\01-Contract\Brady Road\138224_01_ARCH_CON_HHW.dwg