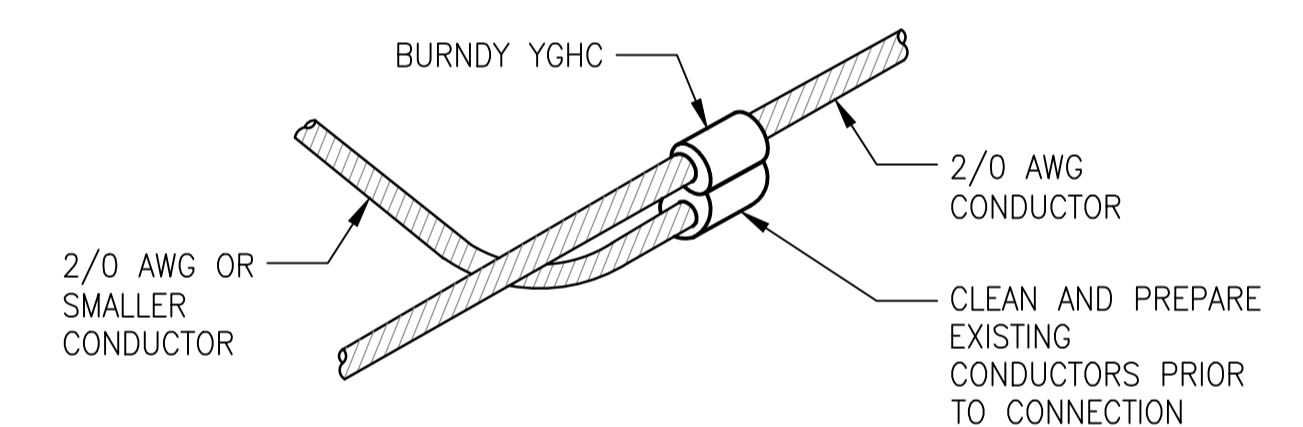
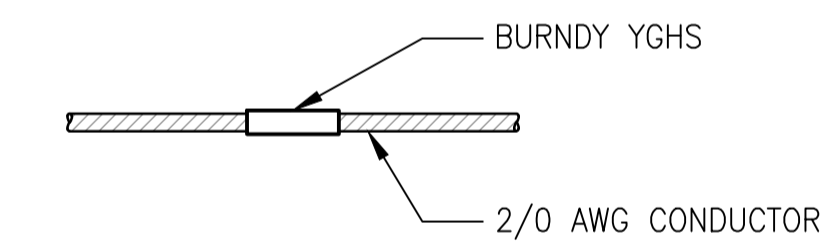
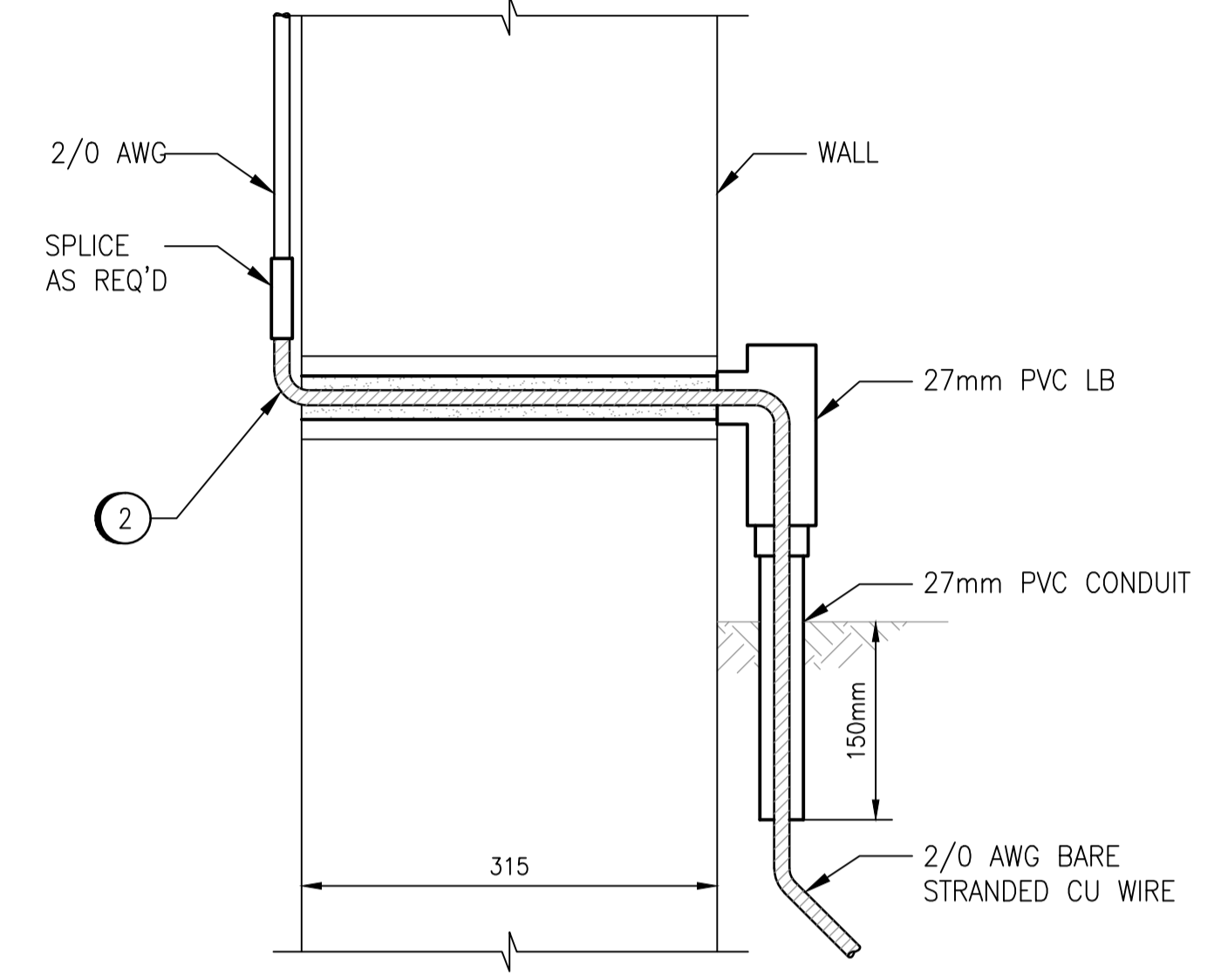
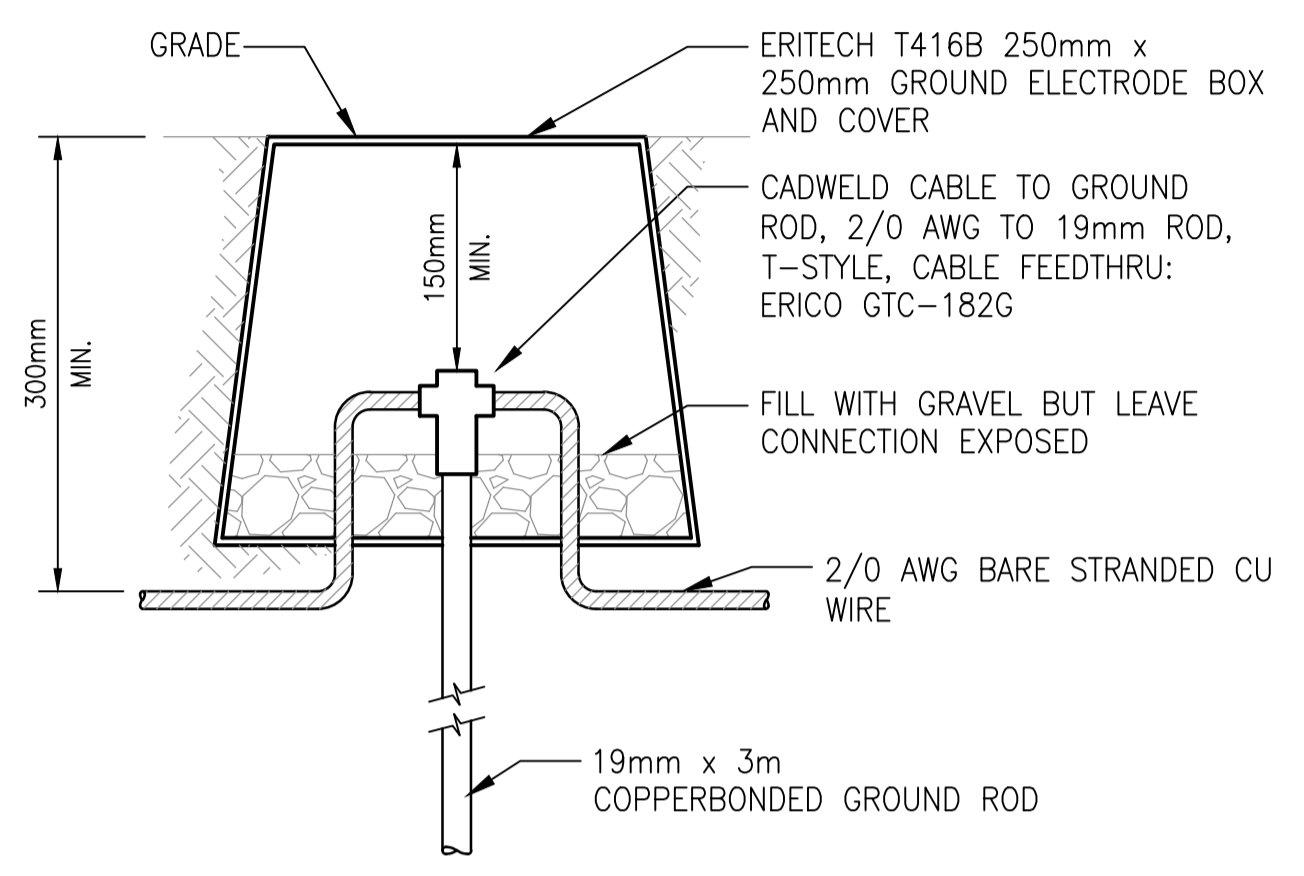


DETAIL: GROUNDING RISER DIAGRAM
SCALE: NTS



GENERAL NOTES:

1. THE GROUNDING RISER DIAGRAM REPRESENTS THE MINIMUM GROUNDING AND BONDING REQUIREMENTS. PROVIDE ADDITIONAL GROUNDING AND BONDING AS REQUIRED TO MEET CEC REQUIREMENTS.

CONSTRUCTION NOTES:

1. INSTALL GROUND ELECTRODE BOX COMPLETE WITH COVER ON ALL GROUND RODS. SEE DETAIL "A".
2. CORE DRILL THROUGH WALL, INSTALL CABLE AND SEAL PENETRATION.



NO.	REVISIONS	DATE	DESIGN	CHECK
02	REVISED GROUNDING	2015/10/08	BJC	-
01	REMOVED GROUND BUS DETAIL	2015/09/22	BJC	-
00	ISSUED FOR TENDER	2015/09/17	BJC	-

<p>SNC-LAVALIN INC. 148 Nature Park Way Winnipeg, MB, Canada R3P 0X7 204-786-8080</p>	
DESIGNED BY: B. CLEVEN	CHECKED BY:
DRAWN BY: C. BURZYNSKI	APPROVED BY:
SCALE: NTS	ISSUED FOR CONSTRUCTION BY:
DATE: 2015/06/11	DATE:
CONSULTANT NO.:	

ENGINEER'S SEAL
**PRELIMINARY
NOT TO BE
USED FOR
CONSTRUCTION**

THE CITY OF WINNIPEG
WATER AND WASTE DEPARTMENT

OLIVE WASTEWATER PUMPING STATION
2015 UPGRADES
GROUNDING INSTALLATION DETAILS

CITY DRAWING NUMBER: 1-0169L-E0003
SHEET: 001
REV: 02
SIZE: A1