

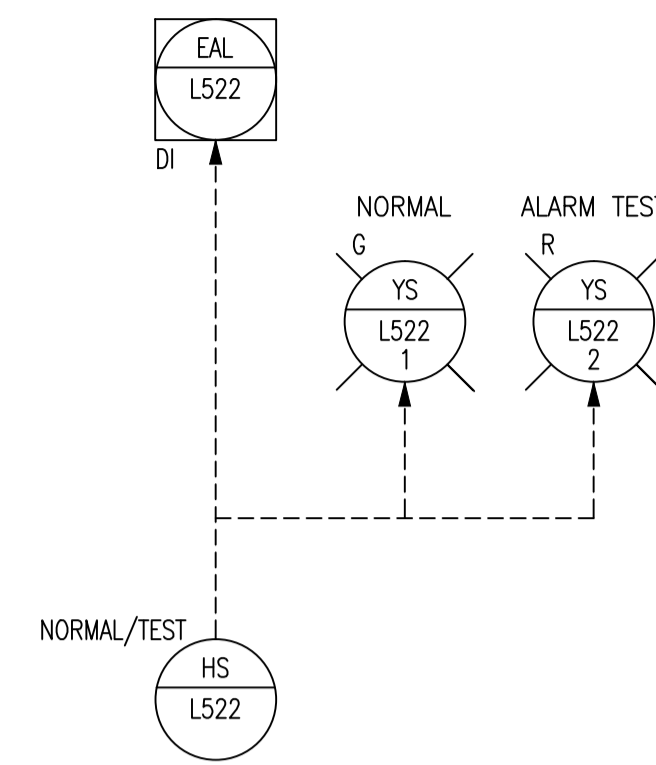
**LEGEND:**

**DEVICE DESCRIPTORS:**

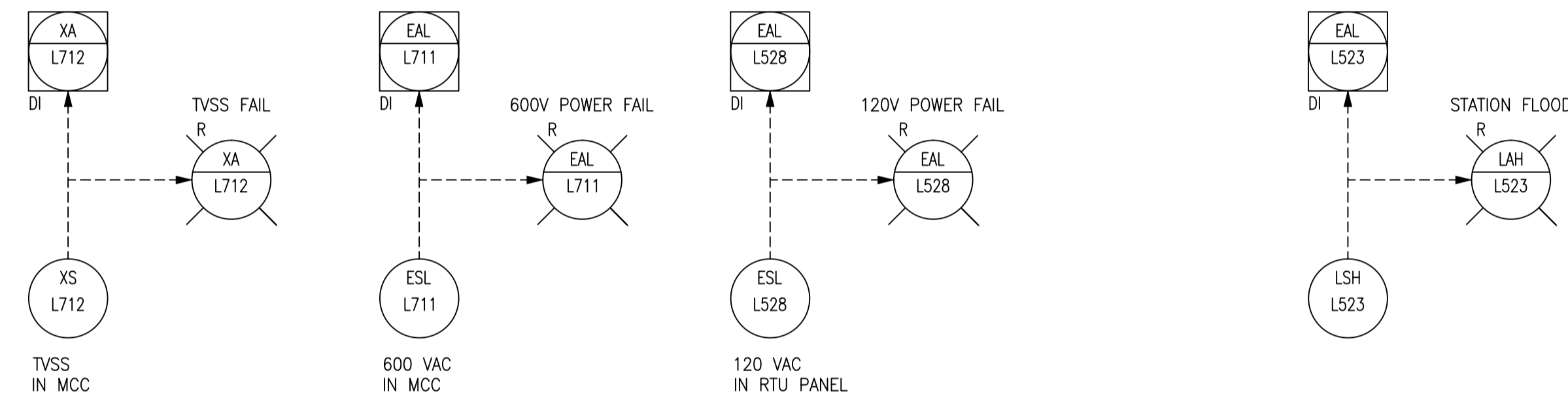
A	AMBER
AI	ANALOG INPUT
AO	ANALOG OUTPUT
DI	DISCRETE INPUT
DO	DISCRETE OUTPUT
G	GREEN
R	RED
S/S	START/STOP

**FUNCTIONAL IDENTIFIERS:**

EI	VOLTAGE INDICATOR
ESL	LOW VOLTAGE SWITCH
FI	FLOW INDICATOR
HS	HAND SWITCH
II	CURRENT INDICATOR
KQI	TOTAL RUN TIME
LC	LEVEL CONTROLLER
LIT	LEVEL INDICATING
TRANSMITTER	TRANSMITTER
LIY	LEVEL INDICATING RELAY
LSH	LEVEL SWITCH HIGH
LT	LEVEL TRANSMITTER
LY	LEVEL RELAY
MM	MOTOR RUNNING
MN	MOTOR START
PG	PRESSURE GAUGE
PSL	PRESSURE SWITCH LOW
TSH	TEMPERATURE SWITCH HIGH

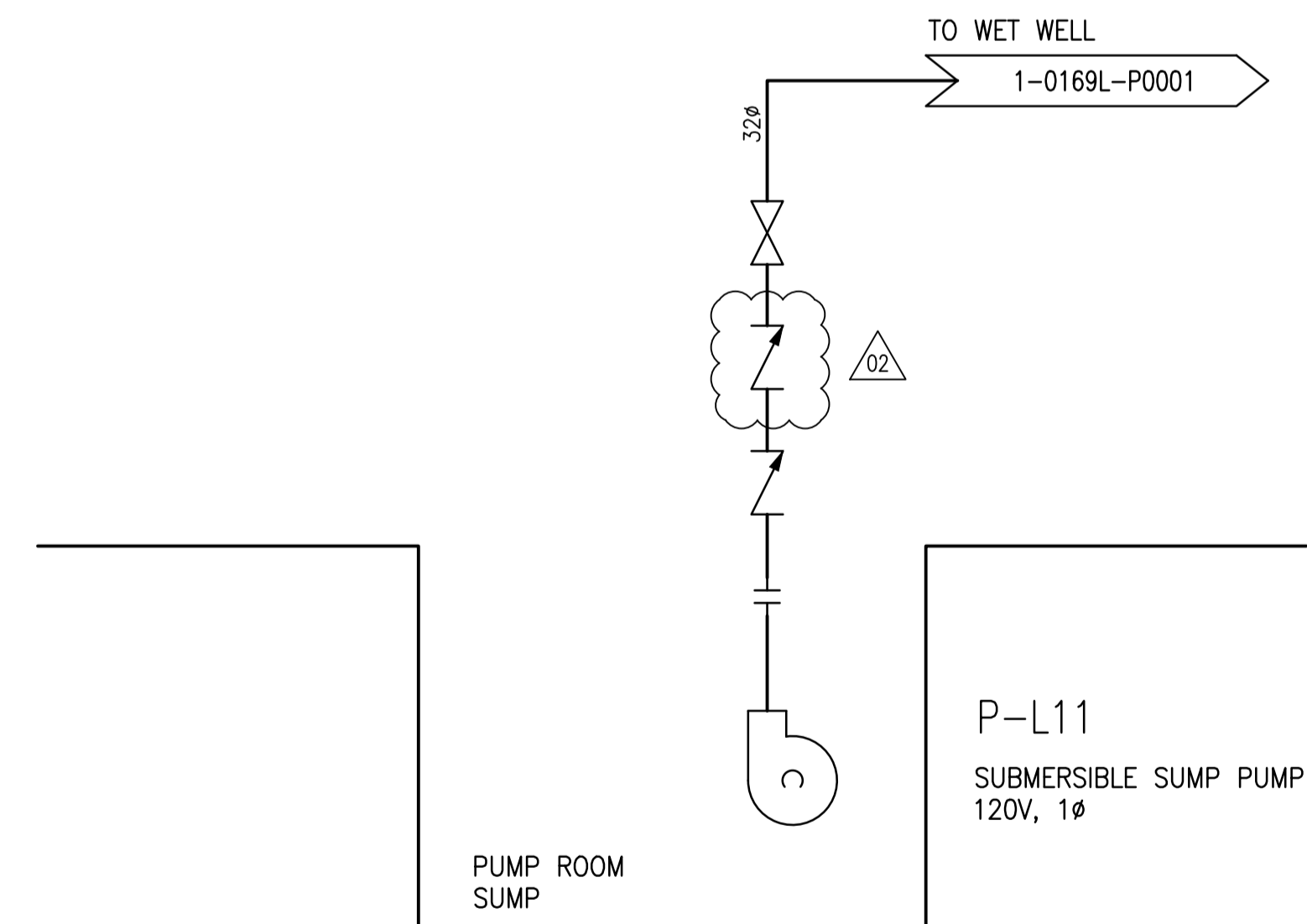


RTU ALARM LOCKOUT



ELECTRICAL POWER ALARMS

STATION FLOOD ALARM



**NOTES:**

- ALL INSTRUMENT IDENTIFIERS HAVE AN OPTIONAL FACILITY PREFIX OF "OLI-".  
 EXAMPLE: OLI-ESL-L527



NO.	REVISIONS	DATE	DESIGN	CHECK
02	ADDED SECOND CHECK VALVE ON P-L11	2015/10/08	BUC	-
01	ISSUED FOR TENDER	2015/09/17	TS	SSN
00	ISSUED FOR CITY USE	2012/01/31	-	TMC

**SNC-LAVALIN INC.**  
 148 Nature Park Way  
 Winnipeg, MB, Canada R3P 0X7  
 204-798-8080

DESIGNED BY: T. SCHICK  
 CHECKED BY: S. NORSWORTHY  
 DRAWN BY: Y. KONIG  
 APPROVED BY: S. NORSWORTHY  
 SCALE: NTS  
 ISSUED FOR CONSTRUCTION BY:  
 DATE: 2015/08/25  
 DATE:

ENGINEER'S SEAL

**PRELIMINARY**  
 NOT TO BE  
 USED FOR  
 CONSTRUCTION

**THE CITY OF WINNIPEG**  
 WATER AND WASTE DEPARTMENT

OLIVE WASTEWATER PUMPING STATION  
 2015 UPGRADES  
 PROCESS & INSTRUMENTATION DIAGRAM  
 HVAC & MISC

CITY DRAWING NUMBER: 1-0169L-P0002  
 SHEET: 001  
 REV.: 02  
 SIZE: A1