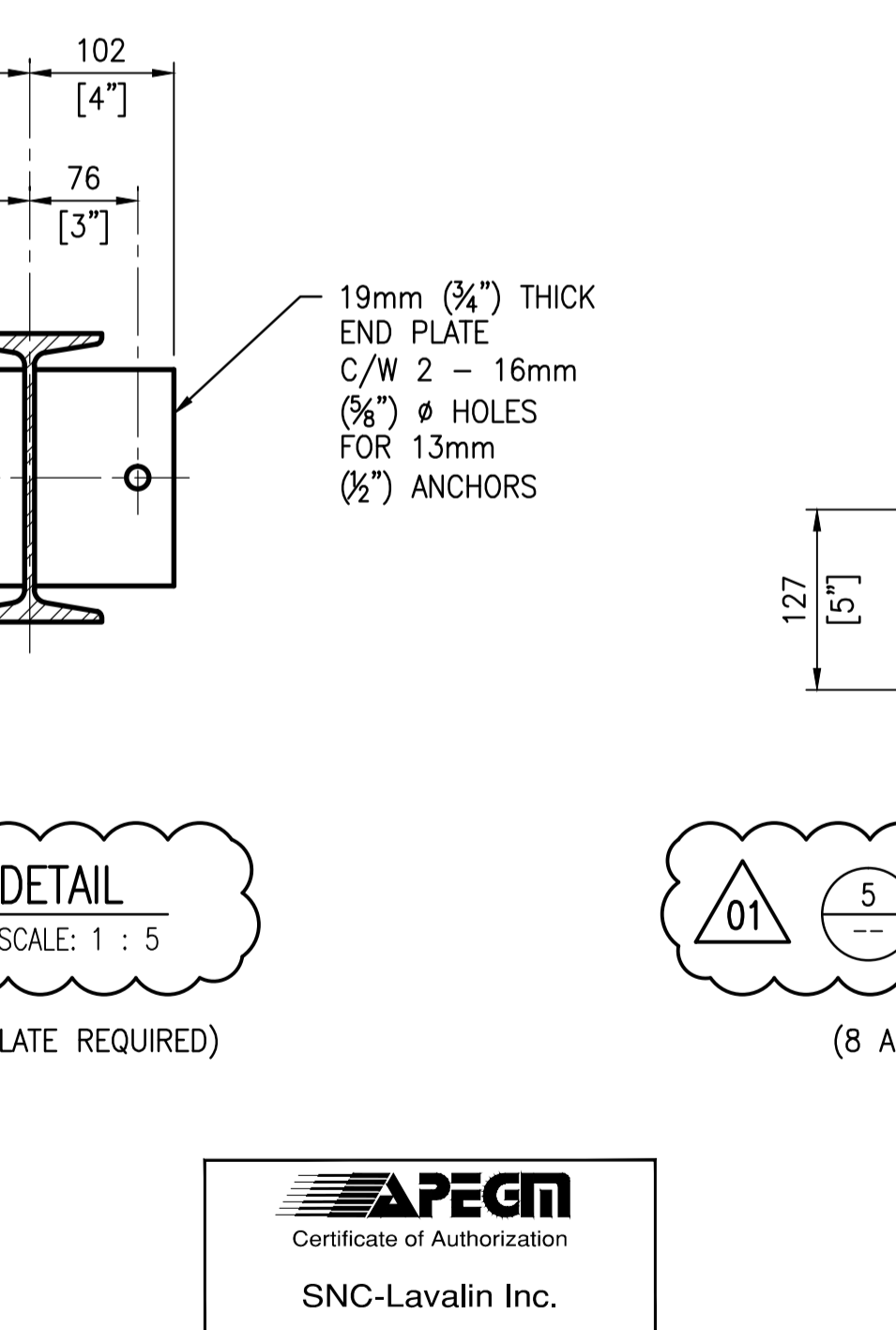
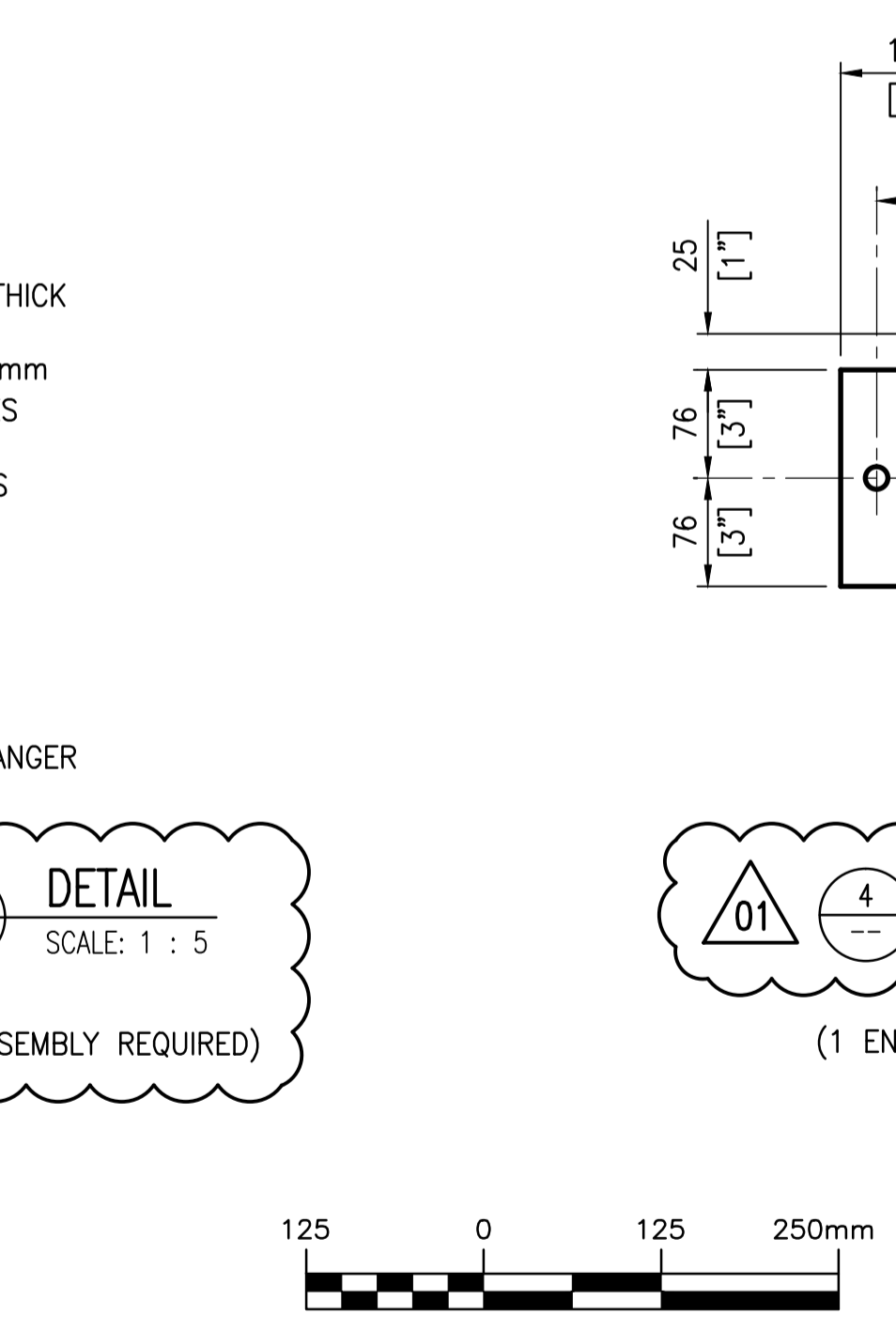
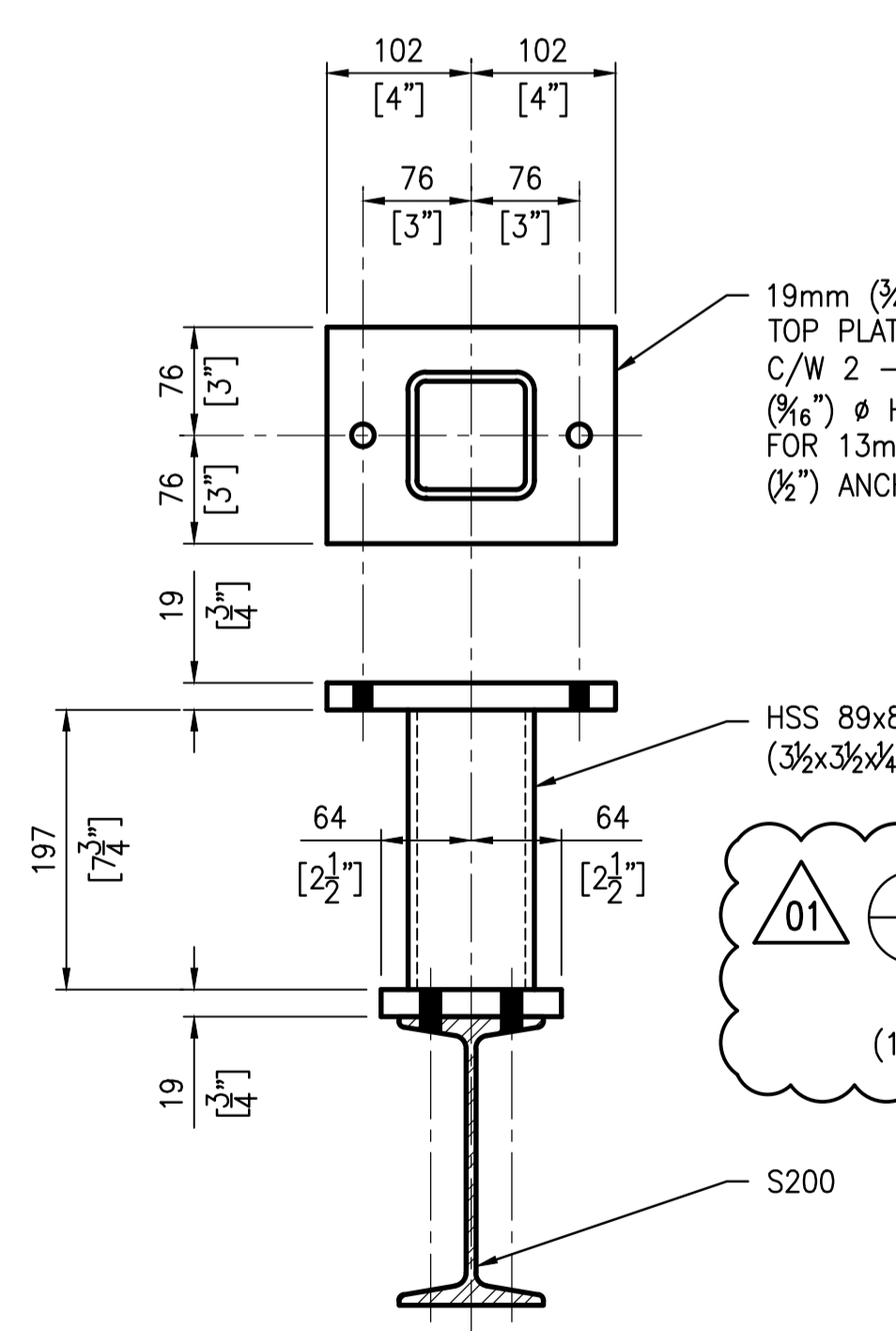
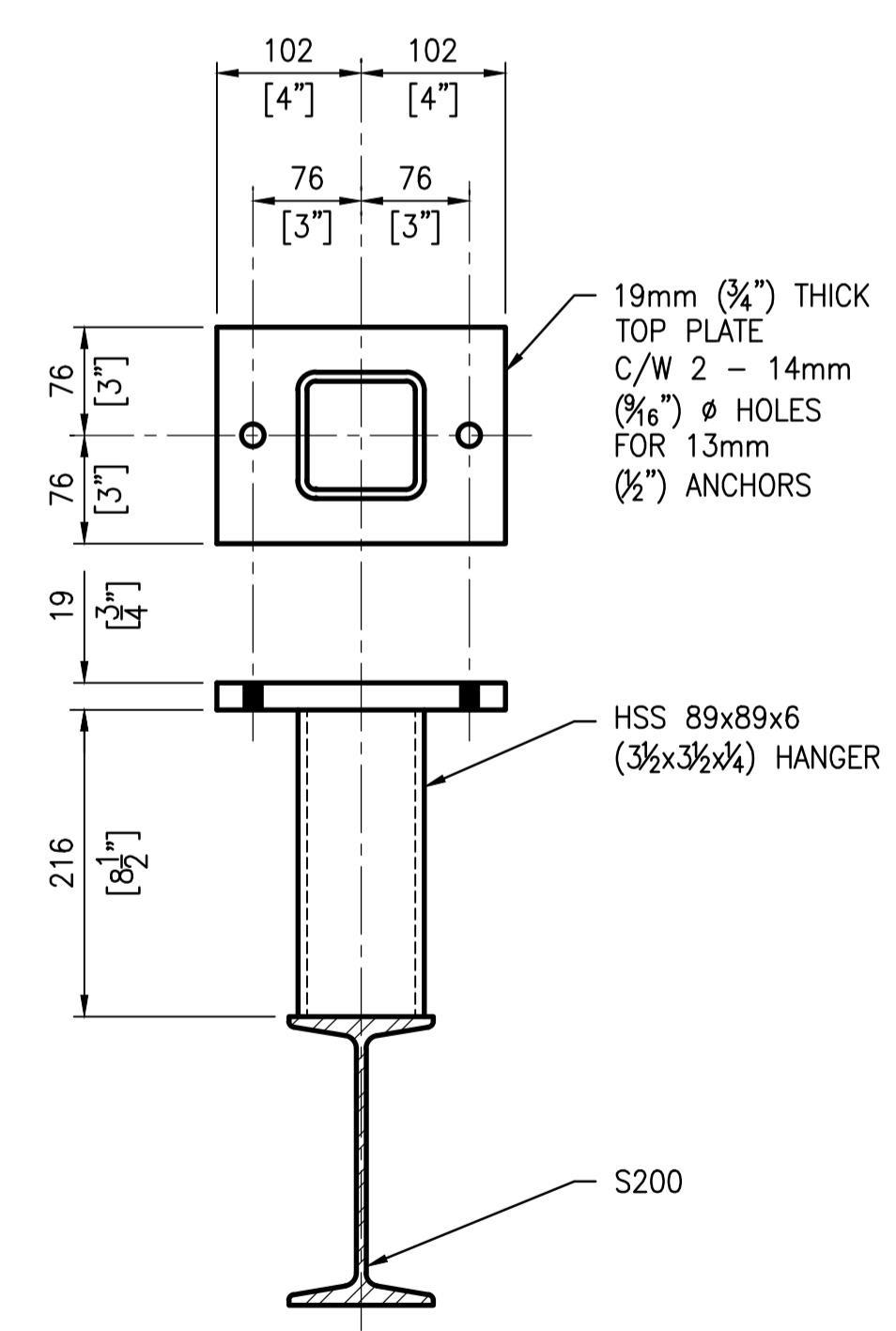
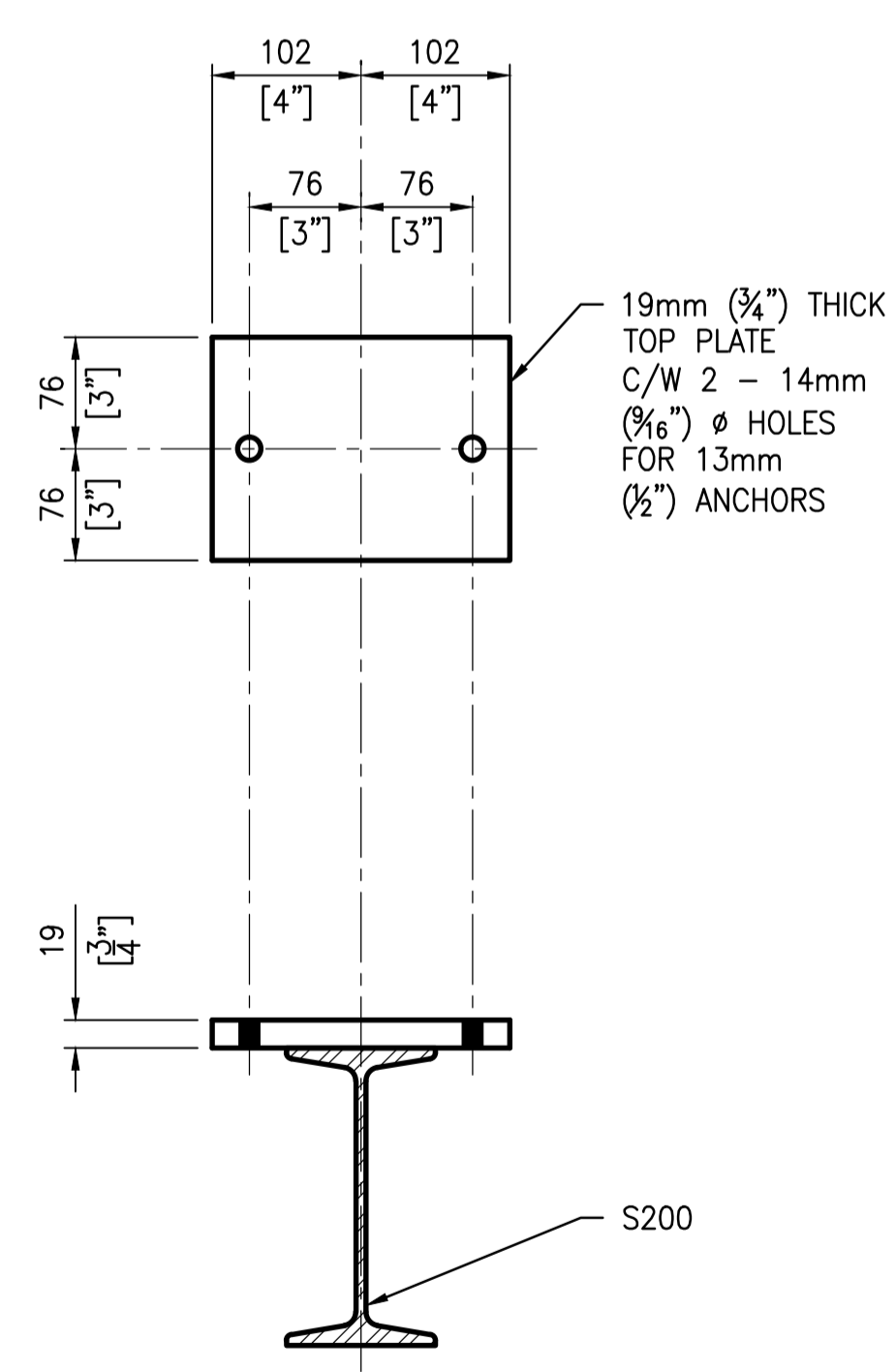
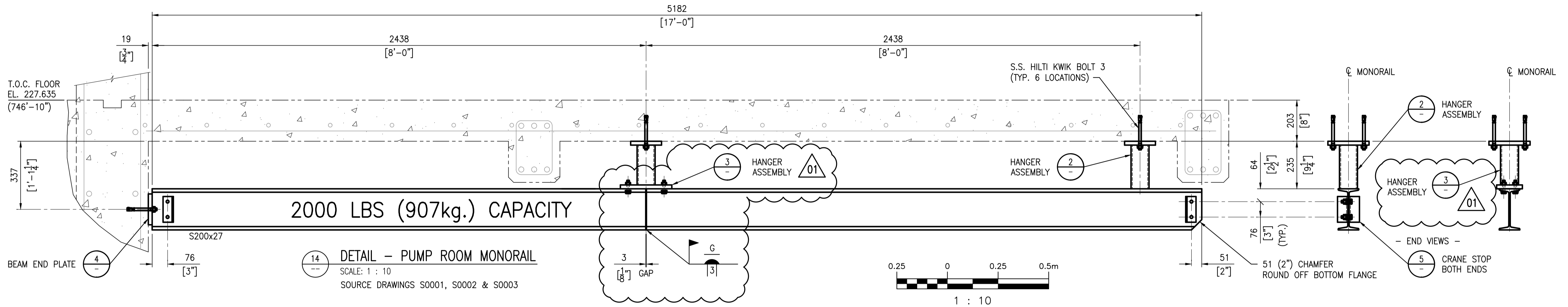


- NOTES:**
- SEE DRAWING 1-0169L-S0004 FOR GENERAL NOTES.
  - SEE DRAWING 1-0169L-S0005 FOR STRUCTURAL NOTES.
  - MONORAILS TO BE PAINTED INTERNATIONAL SAFETY YELLOW.
  - LOAD RATING TO READ AS FOLLOWS: '2000 LBS. (907 kg.) CAPACITY' LETTERING TO BE BLACK 102mm (4") HIGH ON BOTH SIDES.



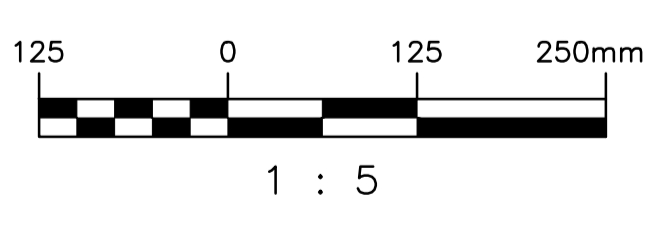
1  
DETAIL  
SCALE: 1 : 5  
(3 PLATES REQUIRED)

2  
DETAIL  
SCALE: 1 : 5  
01 (1 ASSEMBLY REQUIRED)

01 3  
DETAIL  
SCALE: 1 : 5  
(1 ASSEMBLY REQUIRED)

01 4  
DETAIL  
SCALE: 1 : 5  
(1 END PLATE REQUIRED)

01 5  
DETAIL  
SCALE: 1 : 5  
(8 ANGLES REQUIRED)



| NO. | REVISIONS                            | DATE       | DESIGN | CHECK |
|-----|--------------------------------------|------------|--------|-------|
| 01  | REVISED PUMP ROOM MONORAIL / DETAILS | 2015/10/08 | K.K.   |       |
| 00  | ISSUED FOR TENDER                    | 2015/09/17 | K.K.   |       |

|                                       |                                |
|---------------------------------------|--------------------------------|
| DESIGNED BY:<br>K. KOTYK              | CHECKED BY:<br>D. COATES       |
| DRAWN BY:<br>B. DICKSON               | APPROVED BY:<br>I. PARKINSON   |
| SCALE:<br>AS SHOWN                    | ISSUED FOR CONSTRUCTION<br>BY: |
| DATE:<br>2015/08/31                   | DATE:                          |
| CONSULTANT NO.: 629179-0000-42DD-0001 |                                |

ENGINEER'S SEAL  
**PRELIMINARY  
NOT TO BE  
USED FOR  
CONSTRUCTION**

**THE CITY OF WINNIPEG**  
WATER AND WASTE DEPARTMENT

OLIVE WASTEWATER LIFT STATION  
2015 UPGRADES  
ELEVATION AND DETAILS  
MONORAILS

|                                      |              |            |            |
|--------------------------------------|--------------|------------|------------|
| CITY DRAWING NUMBER<br>1-0169L-S0006 | SHEET<br>001 | REV.<br>01 | SIZE<br>A1 |
|--------------------------------------|--------------|------------|------------|