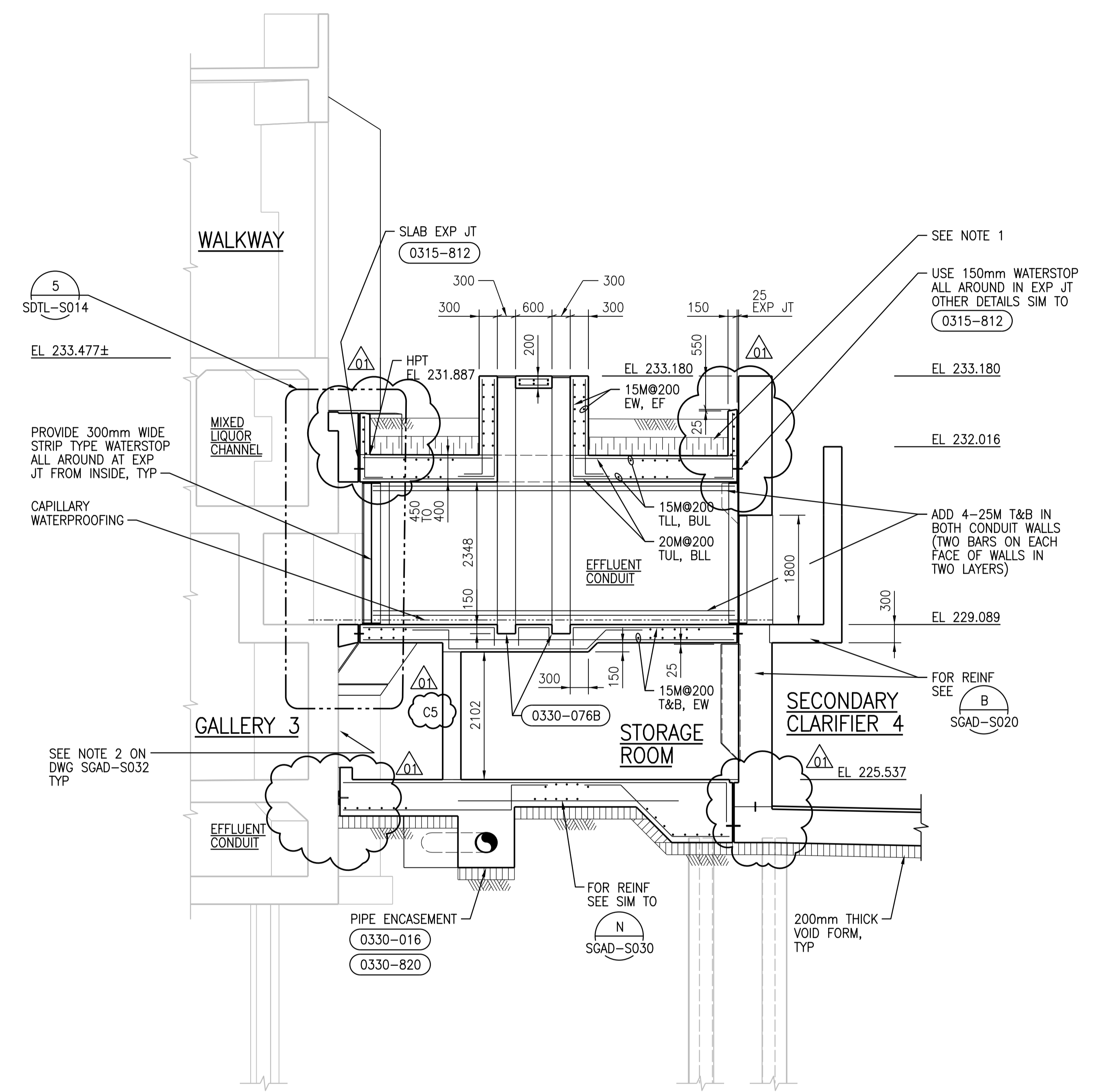


P SECTION
1:50

SGAD-S001, SGAD-S002, SGAD-S003,
SGAD-S006, SGAD-S007, SGAD-S008,
SGAD-S011, SGAD-S012, SGAD-S013

- GENERAL NOTES:**
- 300mm THICK GEOFOAM TYPE EPS 15 OR EQUAL ON TOP OF SLAB WITH MAXIMUM 300mm EARTH COVER ON TOP OF GEOFOAM. TYPICAL OVER ENTIRE ROOF SLAB UNLESS NOTED OTHERWISE. PROVIDE 60 MIL PVC SHEET ON TOP OF GEOFOAM OVER ENTIRE FOOTPRINT. TAPE ALL SEAMS. EXTEND UP AND DOWN FROM WALL/SLAB/CURB INTERSECTIONS 1300mm ALL AROUND.
 - WHERE THE EXCAVATION LINE IS LOCATED BELOW THE UNDERSIDE OF THE VOID FORM, FILL THE AREA WITH CLASS 4 BACKFILL COMPACTED TO 98% SPMD.



Q SECTION
1:50

SGAD-S001, SGAD-S005,
SGAD-S006, SGAD-S010,
SGAD-S011, SGAD-S015, SGAD-S018

DESIGNED BY: A. THAKKAR		CHECKED BY: E. LUI		24/02/2016		SOUTH END WATER POLLUTION CONTROL CENTRE SEWPC UPGRADING/EXPANSION PROJECT STRUCTURAL SECONDARY CLARIFIERS 4 AND 5 SECTIONS P AND Q	
DRAWN BY: G. OMORI		APPROVED BY: H.T. FREIHAMMER		ISSUED FOR CONSTRUCTION BY: T. TURZAK		CITY DRAWING NUMBER 1-0102-SGAD-S031	
SCALE: 1:50		DATE: 2016/01/29		DATE: 2016/01/29		SHEET REV. SIZE 001 01 A1	
NO. REVISIONS		DATE		DESIGN CHECK		CONSULTANT NO.: 474248	
01 ISSUED FOR ADD. 2 - B.O. 899-2015		02/2016		G.O. J.C.		FILE NAME: 1-0102-SGAD-S031.dgn	
00 ISSUED FOR TENDER - B.O. 899-2015		01/2016		G.O. J.C.		PLOT DATE: 2/24/2016	