

**R SECTION**  
1:50

SCAD-R001, SCAD-R002,  
SCAD-R005, SCAD-R006,  
SCAD-R009, SCAD-R010

**S SECTION**  
1:50

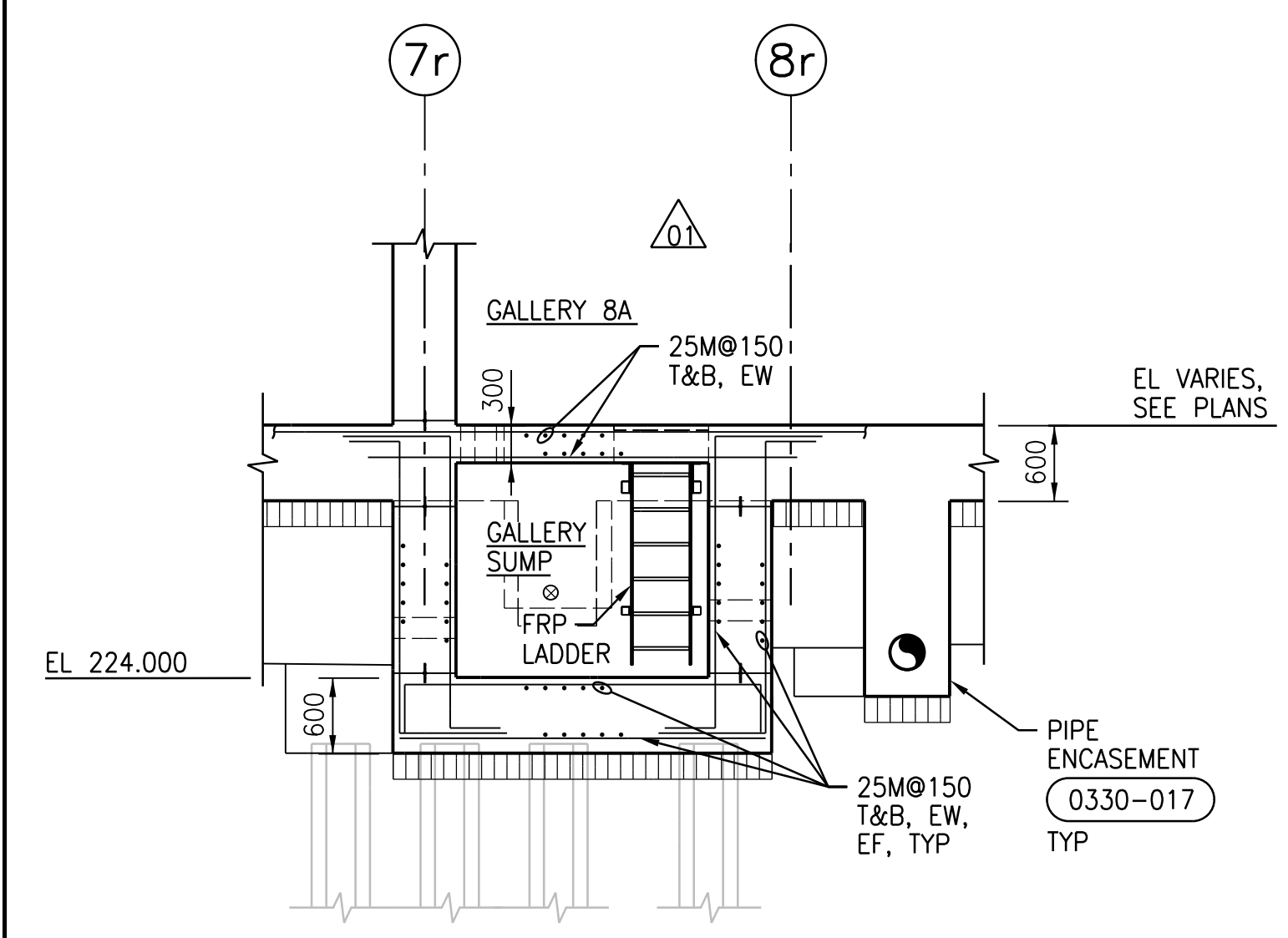
SCAD-R001, SCAD-R002,  
SCAD-R005, SCAD-R006,  
SCAD-R009, SCAD-R010

**T SECTION**  
1:50

SCAD-R001, SCAD-R002,  
SCAD-R005, SCAD-R006,  
SCAD-R009, SCAD-R010

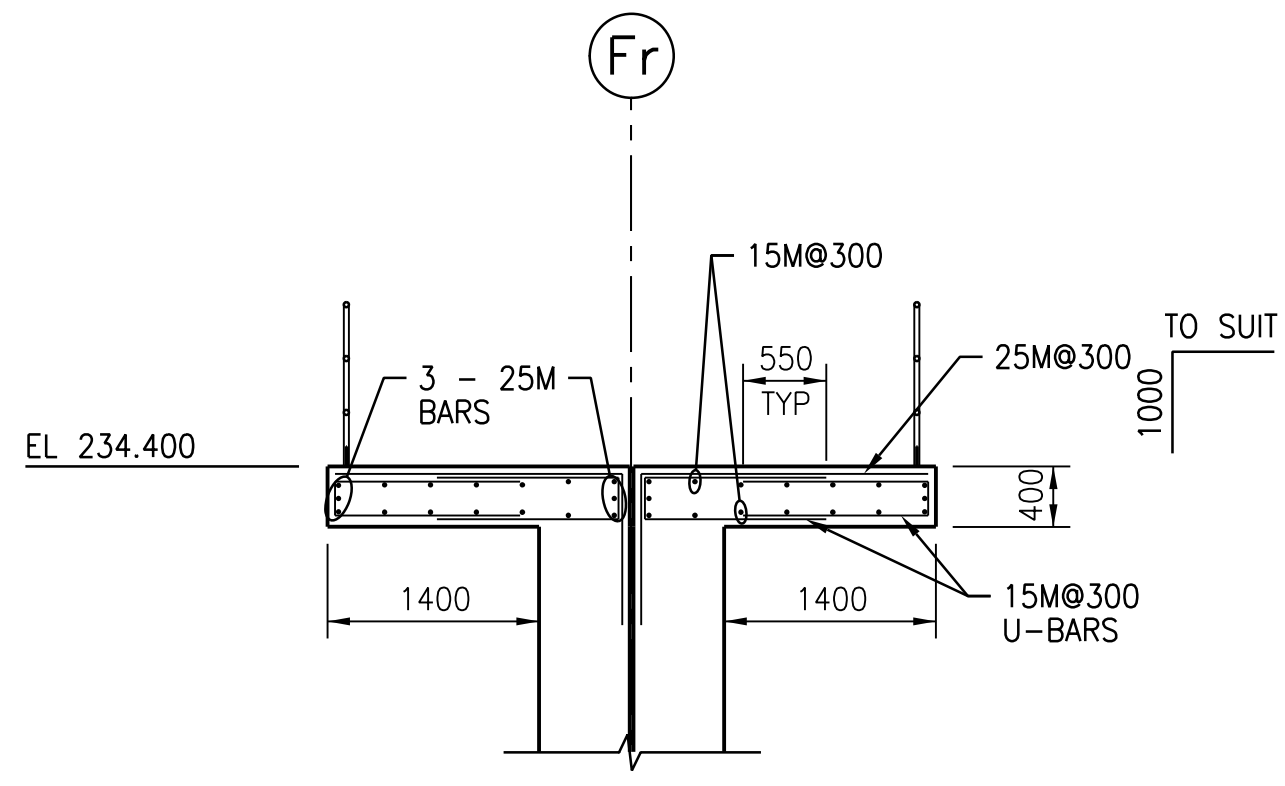
**W SECTION**  
1:50

SCAD-R001, SCAD-R002,  
SCAD-R005, SCAD-R006,  
SCAD-R009, SCAD-R010



**U SECTION**  
1:50

SCAD-R001, SCAD-R003



**V SECTION**  
1:50

SCAD-R009, SCAD-R010  
SCAD-R011, SCAD-R012

NOTE:

- FOR EXCAVATION AND BACKFILL REQUIREMENTS SEE SECTIONS **A**, **B**, **C**, **G**, AND **K** SCAD-R015/R016 ' SCAD-R017/R018 ' SCAD-R019/R020 ' SCAD-R027 AND SCAD-R029



DESIGNED BY: J. THANNICKAL DRAWN BY: C. RYNARD SCALE: 1:50 DATE: 2016/01/29 CONSULTANT NO.: 474248			CHECKED BY: E. LUI APPROVED BY: H.T. FREIHAMMER ISSUED FOR CONSTRUCTION BY: T. TURZAK DATE: 2016/01/29		
02 ISSUED FOR ADD. 4 - B.O. 899-2015 03/2016 C.R. J.C. 01 ISSUED FOR ADD. 2 - B.O. 899-2015 02/2016 C.R. J.C. 00 ISSUED FOR TENDER - B.O. 899-2015 01/2016 C.R. J.C.			NO. REVISIONS DATE DESIGN CHECK		
Certificate of Authorization CH2M HILL Canada Ltd. No. 1441			SOUTH END WATER POLLUTION CONTROL CENTRE SEWPC UPGRADING/EXPANSION PROJECT STRUCTURAL BIOREACTORS/BLOWER BUILDING SECTIONS R, S, T, U, V and W		
CITY DRAWING NUMBER: 1-0102-SGAD-R038			SHEET REV. SIZE: 001 02 A1		