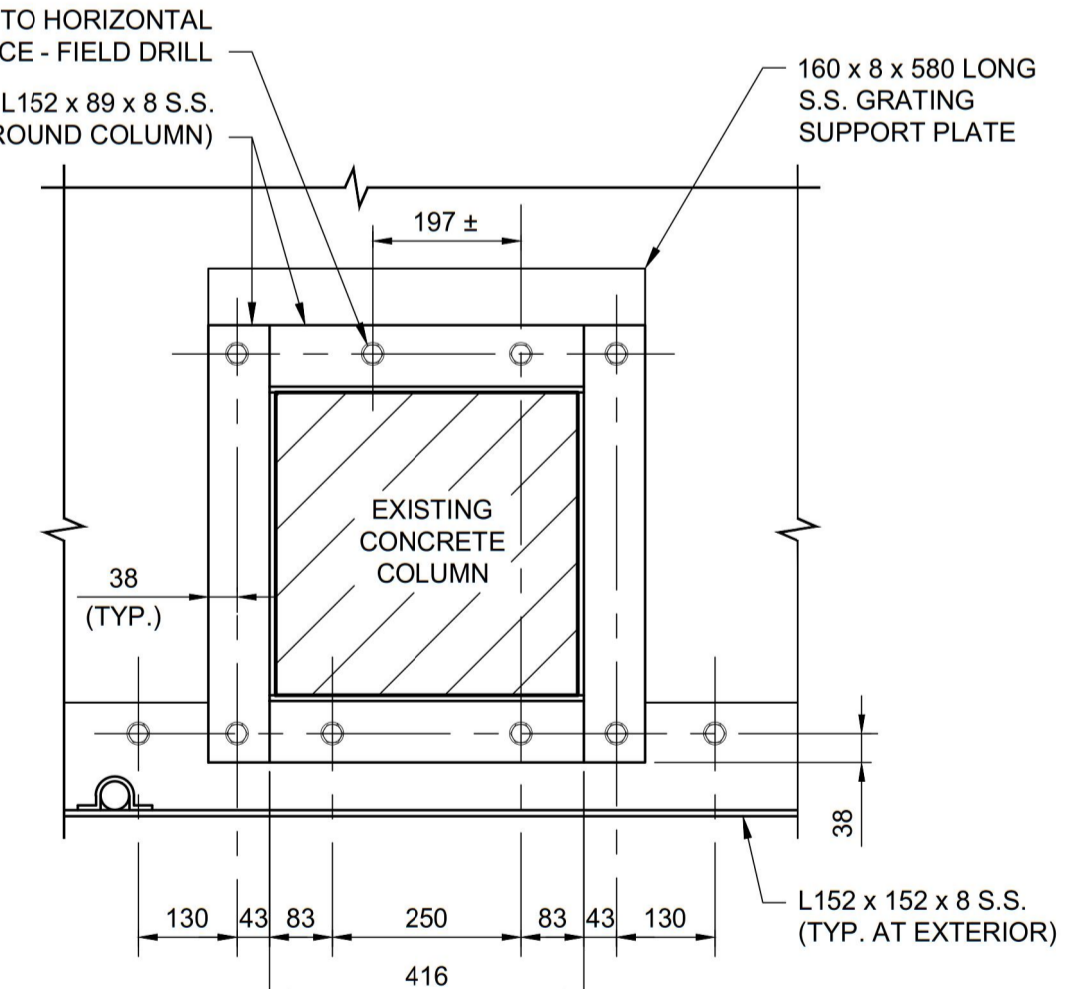
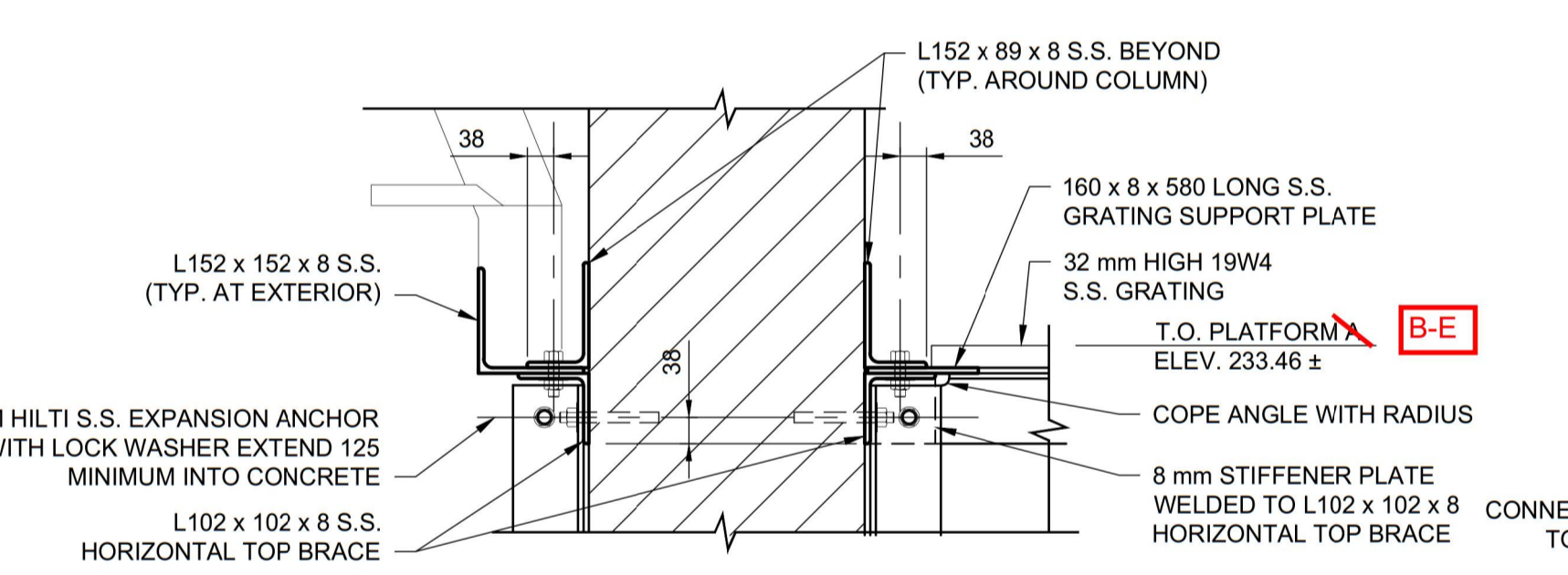
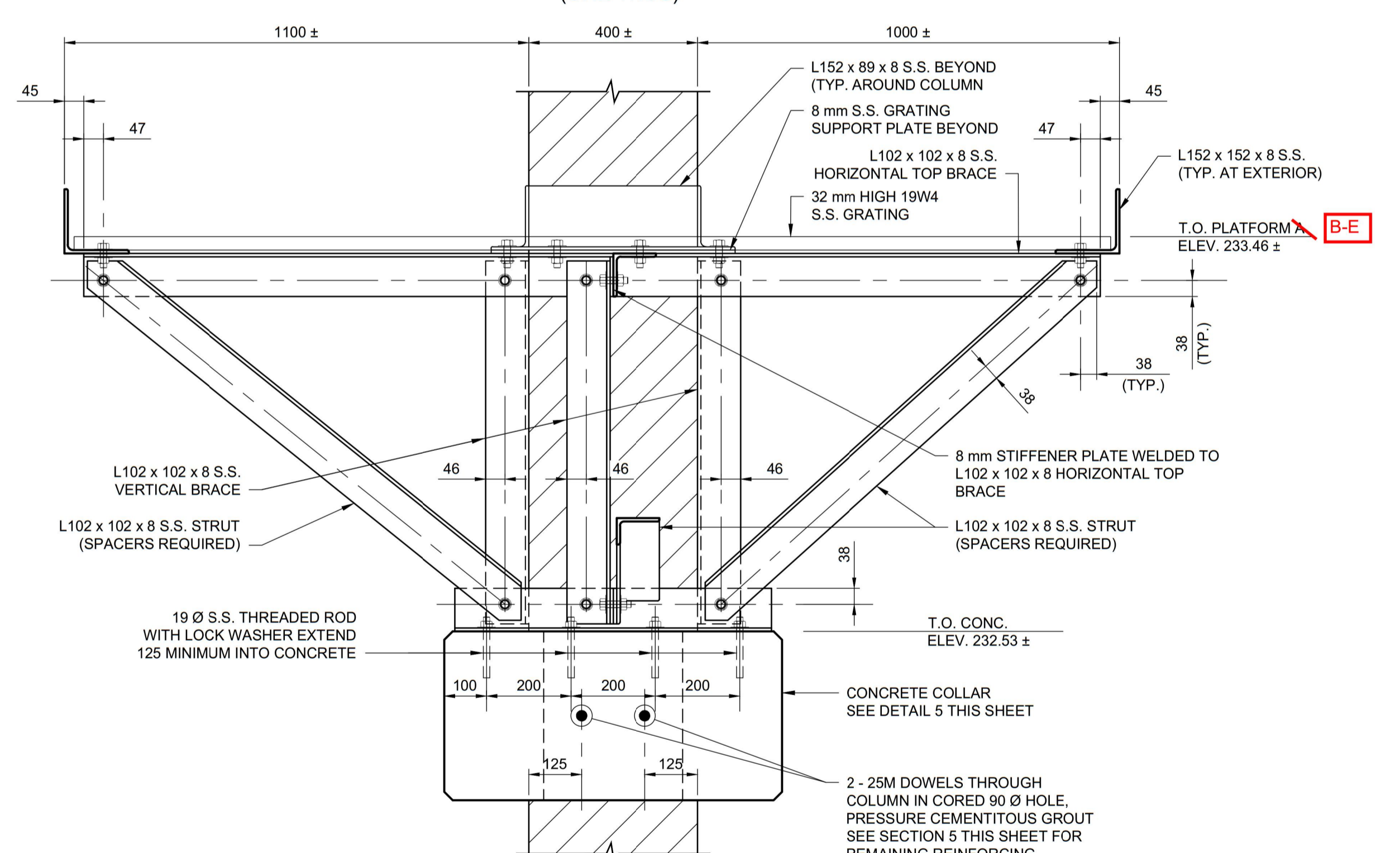
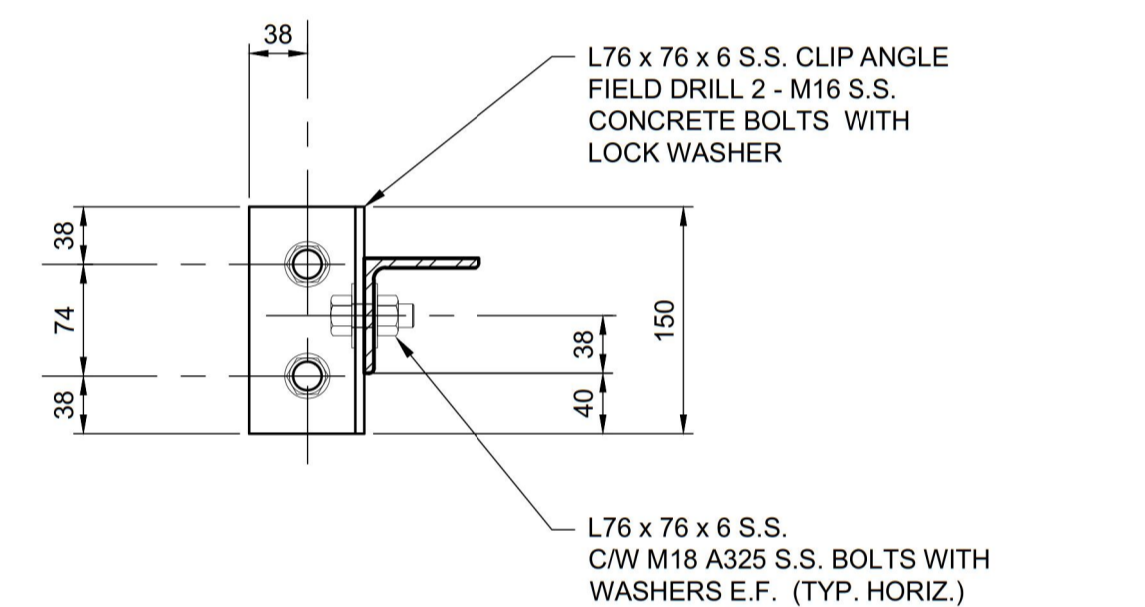
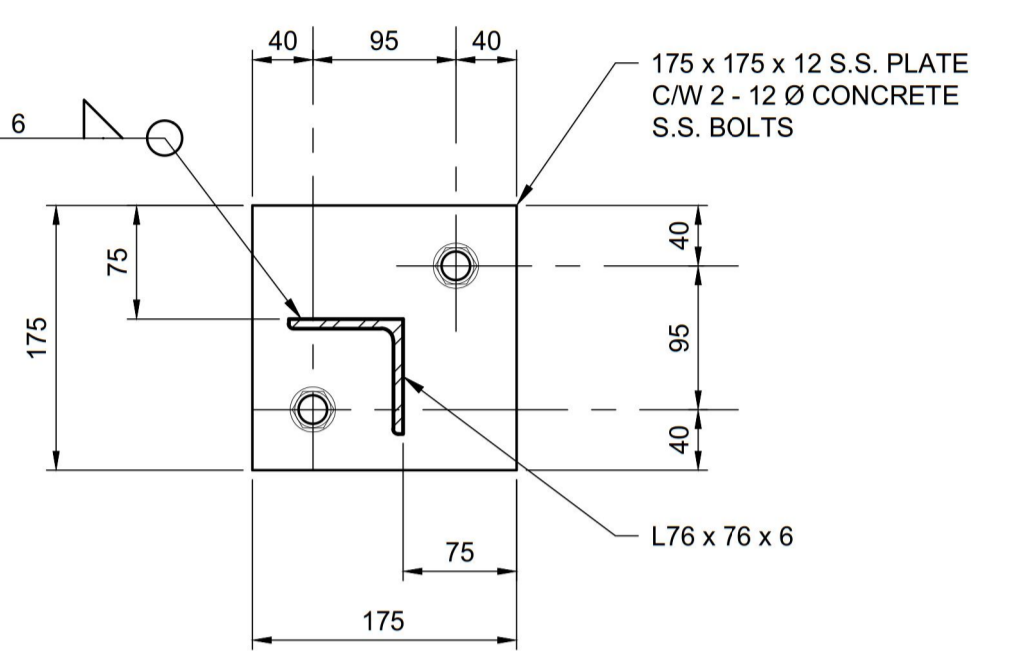


- NOTES:**
- ALL CORNER AND T JOINTS TO BE 100% BUTT WELDS (TYPICAL UNLESS NOTED OTHERWISE)
 - ALL SPACERS TO BE 8 mm THICK S.S.
 - ALL MISCELLANEOUS METAL TO BE STAINLESS STEEL GRADE 316L UNLESS NOTED OTHERWISE.
 - ALL CONNECTIONS TO BE 16M A325 STAINLESS STEEL BOLTS WITH WASHERS E.F. UNLESS NOTED OTHERWISE.



- COLLAR CONSTRUCTION:**
- CORE 30 Ø HOLES AND PRESSURE GROUT, 2 - 25M DOWELS THROUGH COLUMN
 - SAWCUT 30 mm DEEP AT 50 mm INTERVALS AND CHIP OUT CONCRETE BETWEEN CUTS.
 - MECHANICALLY CLEAN SURFACE BY SANDBLASTING
 - INSTALL REINFORCING
 - POUR COLLAR WITH 35 MPa CONCRETE

METRIC
WHOLE NUMBERS INDICATE MILLIMETRES
DECIMALIZED NUMBERS INDICATE METRES

APEGM
Certificate of Authorization
Dillon Consulting Limited (MB)
No. 1789 Date: 2015-11-20

LOCATION APPROVED UNDERGROUND STRUCTURES		B.M. ELEV.
N/A		CONSTRUCTION COMPLETION DATE:
SUPV. U/G STRUCTURES COMMITTEE	DATE	
NOTE: LOCATION OF UNDERGROUND STRUCTURES AS SHOWN ARE BASED ON THE BEST INFORMATION AVAILABLE BUT NO GUARANTEE IS GIVEN THAT ALL EXISTING UTILITIES ARE SHOWN OR THAT THE GIVEN LOCATIONS ARE EXACT. CONFIRMATION OF EXISTENCE AND EXACT LOCATION OF ALL SERVICES MUST BE OBTAINED FROM THE INDIVIDUAL UTILITIES BEFORE PROCEEDING WITH CONSTRUCTION.		

CHECKED BY	DRA
APPROVED BY	SSR
DESIGNED BY	FAK
DRAWN BY	TLK
SCALE:	AS NOTED
HORIZONTAL	AS NOTED
VERTICAL	AS NOTED
NO.	REVISIONS
2	ISSUED FOR ADDENDUM No.2
1	ISSUED FOR TENDER
DATE	DATE
2015 12 10	2015 11 20
SSR	SSR
DATE	DATE
2015 11 20	2015 11 20
PLOT DATE:	2015 11 19

ENGINEER'S SEAL	
RELEASED FOR CONSTRUCTION	
CONSULTANT DRAWING NUMBER	14-1411-S-110
SHEET	18 OF 47
CITY DRAWING NUMBER	1-0650R-S0009-002
BID OPPORTUNITY:	930-2015
CONTRACT NUMBER:	
FILE PATH:	P:\20154593\00_Kemp_Wilkes\Working_Dwgs\300_Structural\1-0650R-S0009-002.dwg

THE CITY OF WINNIPEG
WATER AND WASTE DEPARTMENT
ENGINEERING DIVISION

**WILKES RESERVOIR NORTH CELL REHABILITATION
STAIR ACCESS PLATFORMS**
PLATFORM A, SECTIONS AND DETAILS
SHEET 2 OF 3