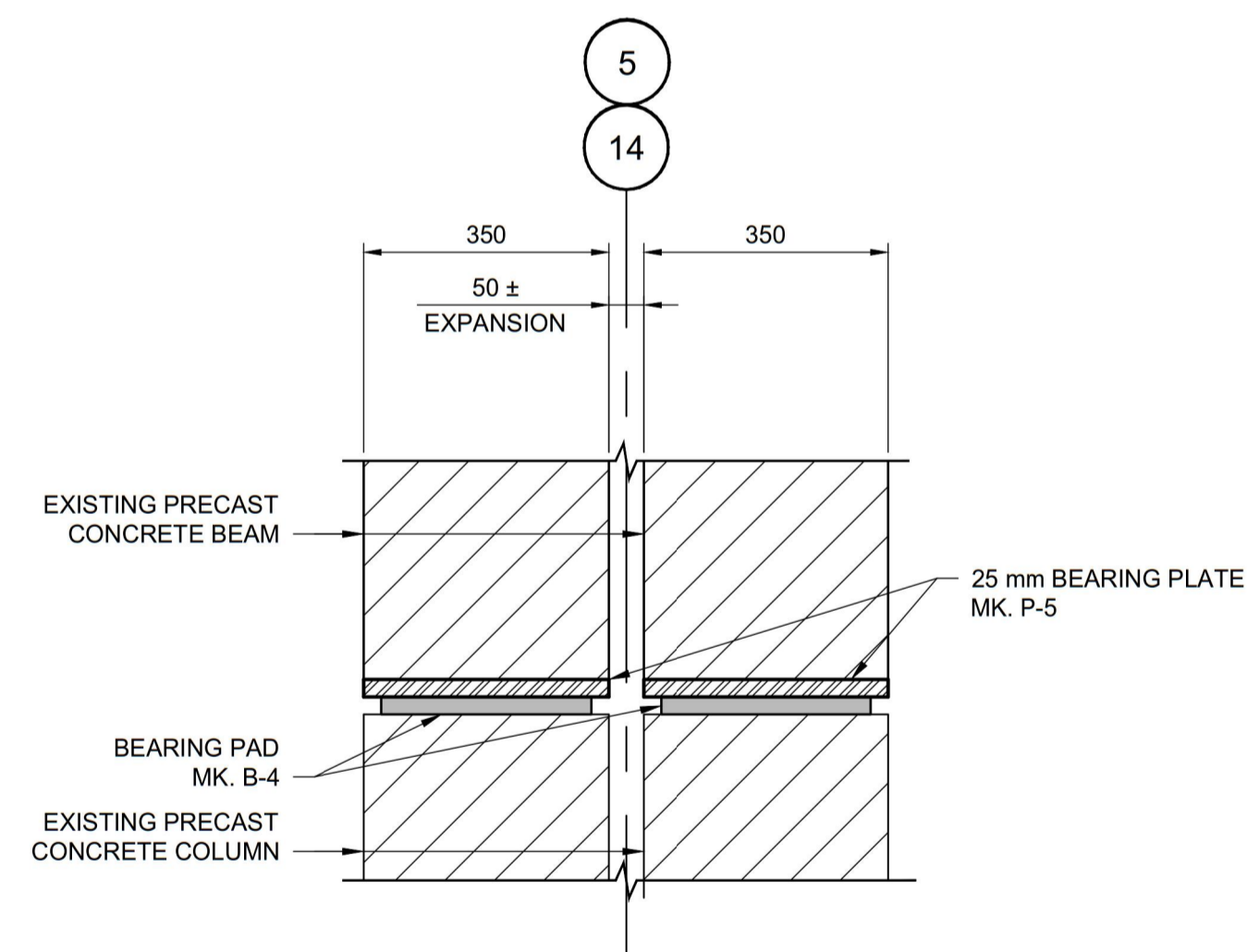
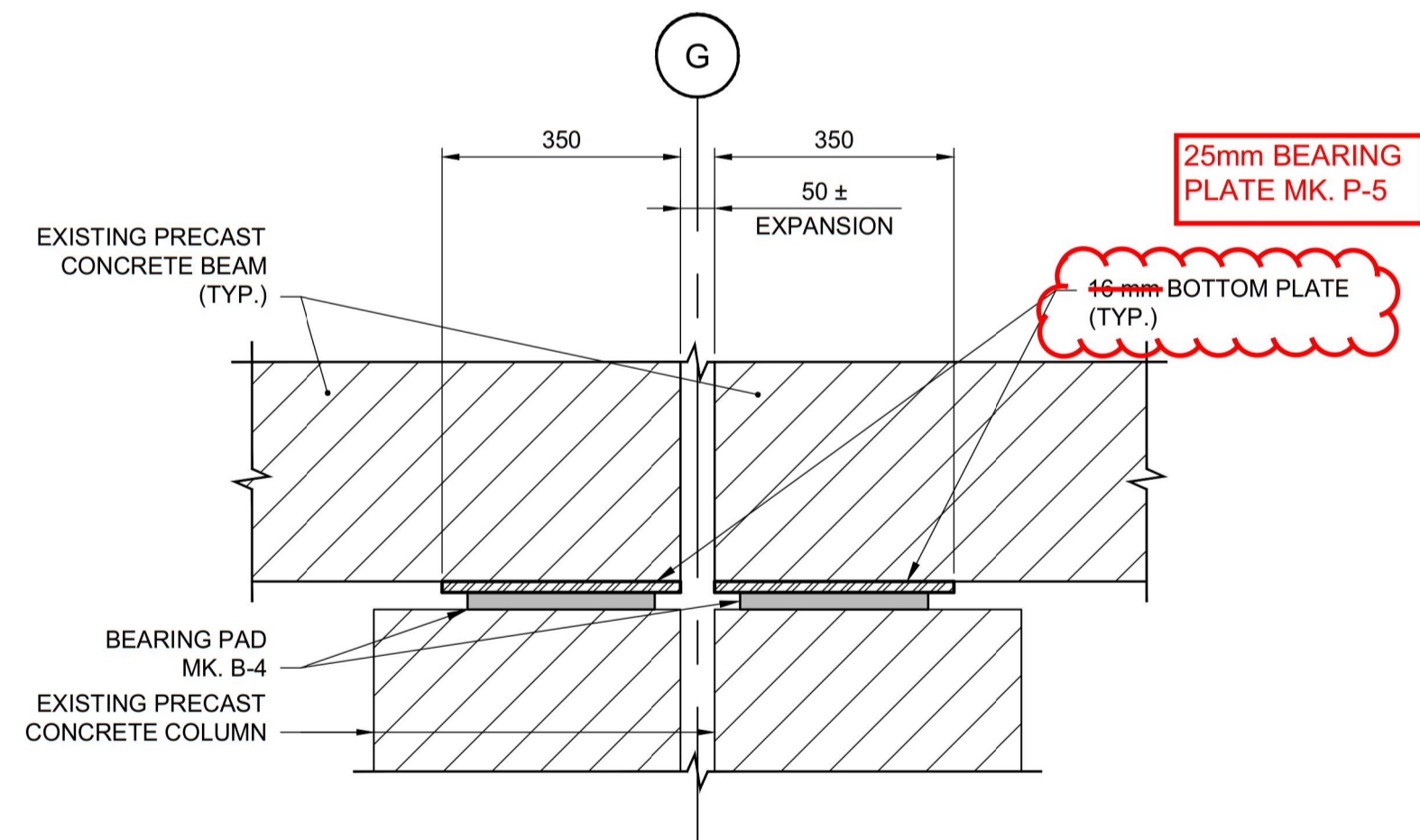


DETAIL 1:10
 BEARING PLATES AT GRID LINE G5 AND G14 MARK P-5



SECTION 1 1:10
 BEARING PLATE MARK P-5



SECTION 2 1:10
 BEARING PLATE MARK P-5

BEARING PLATE MARK P-5 INSTALLATION AND ASSEMBLY - CONSTRUCTION PROCEDURE NOTES:

- CLEAN EXPOSED BEAM ENDS, SIDES, AND BOTTOMS BY SANDBLASTING TO REMOVE OLD COATINGS AND SURFACE CONTAMINANTS EXPOSING THE FINE AGGREGATE.
- JACK EXISTING BEAM SIMULTANEOUSLY 75 mm ABOVE COLUMN TOP. NO TWO ADJACENT DOUBLE COLUMNS ON THE SAME BEAM LINE SHALL BE JACKED AND SUSPENDED AT THE SAME TIME. JACKING FRAMES SAFE CAPACITY TO BE 50 TONNES (490 kN) PER PAIR OF BEAMS ON THE NORTH AND SOUTH SIDES OF THE SUPPORTING COLUMNS AND DESIGNED TO TRANSFER LOADS TO THE FOUNDATION PILING.
- JACKING FRAME SHALL BE DESIGNED BY A STRUCTURAL PROFESSIONAL ENGINEER REGISTERED IN THE PROVINCE OF MANITOBA.
- SEALED DESIGN DRAWINGS AND CALCULATIONS SHALL BE SUBMITTED TO THE CONTRACT ADMINISTRATOR FOR REVIEW PRIOR TO COMMENCING OF THE WORK IN ACCORDANCE WITH THE SPECIFICATIONS.
- REMOVE EXISTING BEARING PADS AND WIRE BRUSH CLEAN THE TOP OF THE COLUMN AND UNDERSIDE OF THE BEAM AT THE BEARING AREA. INSTALL NEW BEARING PADS AND BEARING PLATES AS SHOWN ON THE DRAWINGS AND IN ACCORDANCE WITH THE SPECIFICATIONS.
- SPREAD TOP OF THE NEW BEARING PLATE WITH SPECIFIED EPOXY GEL AND SIMULTANEOUSLY LOWER THE BEAMS ON TO THE NEW BEARINGS.
- REPAIR EXISTING BEAM SPALLS AS DETAILED. REFER TO SHEET 13 FOR LOCATIONS AND REPAIR PROCEDURES. PROTECT BEARINGS AND BEARING PADS FROM ANY SPILLS OR DAMAGE DURING THIS OPERATION.
- SHOULD NEW BEAM SPALLS DEVELOP DURING THIS OPERATION, INFORM THE CONTRACT ADMINISTRATOR IMMEDIATELY AND REPAIR IN ACCORDANCE WITH THE SPECIFICATIONS.

METRIC

WHOLE NUMBERS INDICATE MILLIMETRES
 DECIMALIZED NUMBERS INDICATE METRES



| | |
|--|------|
| LOCATION APPROVED UNDERGROUND STRUCTURES | |
| N/A | |
| SUPV. U/G STRUCTURES COMMITTEE | DATE |
| NOTE: LOCATION OF UNDERGROUND STRUCTURES AS SHOWN ARE BASED ON THE BEST INFORMATION AVAILABLE BUT NO GUARANTEE IS GIVEN THAT ALL EXISTING UTILITIES ARE SHOWN OR THAT THE GIVEN LOCATIONS ARE EXACT. CONFIRMATION OF EXISTENCE AND EXACT LOCATION OF ALL SERVICES MUST BE OBTAINED FROM THE INDIVIDUAL UTILITIES BEFORE PROCEEDING WITH CONSTRUCTION. | |

| | |
|-------------------------------|--------------------------|
| B.M. ELEV. | |
| CONSTRUCTION COMPLETION DATE: | |
| NO. | REVISIONS |
| 2 | ISSUED FOR ADDENDUM No.2 |
| 1 | ISSUED FOR TENDER |
| DATE | BY |
| 2015 12 10 | SSR |
| 2015 11 20 | SSR |
| 2015 11 20 | TLK |

| | |
|-------------|------------|
| CHECKED BY | DRA |
| APPROVED BY | SSR |
| DESIGNED BY | FAK |
| DRAWN BY | TLK |
| SCALE: | |
| HORIZONTAL | AS NOTED |
| VERTICAL | |
| DATE | 2015 11 20 |



| | |
|---------------------------|---------------|
| ENGINEER'S SEAL | |
| RELEASED FOR CONSTRUCTION | DATE |
| CONSULTANT DRAWING NUMBER | 14-1411-S-124 |

THE CITY OF WINNIPEG
 WATER AND WASTE DEPARTMENT
 ENGINEERING DIVISION

WILKES RESERVOIR NORTH CELL REHABILITATION
 BEARING PLATE MARK P-5
 SECTIONS AND DETAILS
 CONSTRUCTION PROCEDURES

SHEET 32 OF 47 CITY DRAWING NUMBER 1-0650R-S0022-001

PLOT DATE: 2015 11 18

BID OPPORTUNITY: 930-2015
 CONTRACT NUMBER:

FILE PATH: P:\20154593\00_Kemp_Wilkes\Working_Dwgs\300_Structural\
 FILE NAME: 1-0650R-S0022-001.dwg