

ENGINEERS
GEOSCIENTISTS
MANITOBA
Certificate of Authorization
CGM Engineering Ltd.
No. 6241

No.	DATE	REVISION / ISSUANCE
3	2017.03.14	ISSUED FOR ELEC. ADDENDUM #2
2	2017.03.03	ISSUED FOR ELEC. ADDENDUM #1
1	2017.02.17	ISSUED FOR CONSTRUCTION



Consultant
CGM 2-472 STRADBROOK AVENUE
WINNIPEG, MB R3L 0J9
(204) 272-3255
ENGINEERING LTD. | O B : 1 6 1 1 2 6

Cibinel
Architecture Ltd
560 ACADEMY ROAD WINNIPEG, MB R3L 0E3
T. 204 989 8910 F. 204 989 8920



Project
TRANSCONA LIBRARY
1500 PLESSIS ROAD, WINNIPEG, MB

Sheet Title
**ELECTRICAL
SYSTEMS LAYOUT**

Sheet No.
1487

Sheet
E-104

1 ELECTRICAL - SYSTEMS LAYOUT
E-104 SCALE: 1:100

SPECIFIC ELECTRICAL NOTES

- 1 FIRE ALARM PANEL.
- 2 FIRE ALARM ANNUCIATOR PANEL.
- 3 DEDICATED MTS LINE FROM TELEPHONE PANEL FOR P.O.S.
- 4 DEDICATED MTS LINE FROM TELEPHONE PANEL FOR SERVER.
- 5 MICROPHONE FOR PUBLIC ADDRESS SYSTEM. RUN CABLING AND CONDUIT THROUGH CRAWLSPACE TO SERVER LOCATION.
- 6 SERVER RACK LOCATION. SUPPLIED AND INSTALLED BY CONTRACT ADMINISTRATOR. PUBLIC ADDRESS SYSTEM TO BE LOCATED ON RACK.
- 7 VOLUME CONTROL FOR MULTIPURPOSE ROOM SPEAKERS. RUN ONE(1) - 3/4" CONDUIT C/W PULLSTRING TO CRAWLSPACE.
- 8 SECURITY SYSTEM PANIC BUTTON AND ASSOCIATED BUZZER.

GENERAL ELECTRICAL NOTES

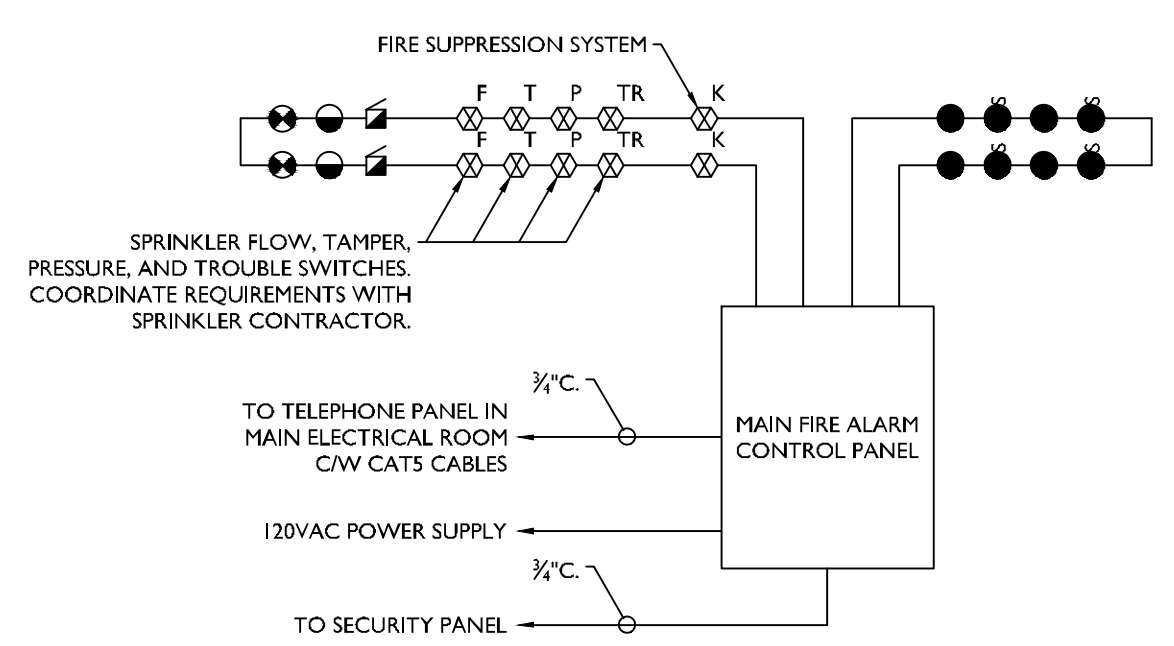
1. ALL OUTLETS WITHIN THE PUBLIC LIBRARY AREA ARE TO BE FED FROM THE CRAWLSPACE.

PUBLIC ADDRESS SYSTEM

1. PROVIDE A COMPLETE PUBLIC ADDRESS SYSTEM INSTALLATION AS INDICATED.
2. EXISTING CITY OF WINNIPEG PUBLIC ADDRESS SYSTEM TO BE TRANSFERRED TO THIS LOCATION. ELECTRICAL SUBCONTRACTOR IS RESPONSIBLE TO INSTALL DEVICES AS INDICATED. PROVIDE CABLING IN CONDUIT IN CRAWLSPACE FROM EACH DEVICE TO SERVER LOCATION. COORDINATE EXACT REQUIREMENTS WITH CITY OF WINNIPEG SECURITY SYSTEM REPRESENTATIVE.

SECURITY SYSTEM

1. PROVIDE A FULLY FUNCTIONAL SECURITY SYSTEM TO CITY OF WINNIPEG REQUIREMENTS. MANUFACTURER TO BE PEGASYS P2000 BY JOHNSON CONTROLS.
2. ELECTRICAL SUBCONTRACTOR TO PROVIDE CAT5 CABLING AND CONDUIT WITHIN WALLS TO CRAWLSPACE AS REQUIRED. RUN TO ELECTRICAL ROOM IN CRAWLSPACE WITH J-HOOKS.
3. TIE SECURITY SYSTEM INTO HVAC BAS SYSTEM.
4. COORDINATE ALL REQUIREMENTS WITH CONTRACT ADMINISTRATOR.
5. ALL CAMERAS AND SECURITY SYSTEM DEVICES ARE PROVIDED BY THE CITY.



2 FIRE ALARM RISER
E-104 SCALE: N.T.S.

NOTE:
FIRE ALARM RISER DIAGRAM SHOWN FOR REFERENCE ONLY. REFER TO ELECTRICAL DRAWINGS FOR QUANTITIES OF DEVICES. PROVIDE ISOLATION MODULES AS REQUIRED. INSTALLATION TO MEET CANULC 5524-06.

3 EMERGENCY LIGHTING AND SIGNAGE RISER
E-104 SCALE: N.T.S.

- NOTE:
1. INTERLOCK WITH NORMAL LIGHTING CIRCUITS TO ACTIVATE EMERGENCY LIGHTING AND SIGNAGE UPON LOSS OF NORMAL LIGHTING IN THE LOCAL AREA. PROVIDE ZONE SENSING RELAYS AS REQUIRED.
 2. ELECTRICAL CONTRACTOR TO WIRE AND CONNECT DC TO ALL EMERGENCY LIGHTING AND SIGNAGE COMPONENTS.
 3. PROVIDE MINIMUM 30 MINUTE BATTERY BACK-UP CAPACITY UNDER FULL LOAD.
 4. ELECTRICAL CONTRACTOR TO SIZE CONDUCTORS TO MEET MANUFACTURER'S RECOMMENDATIONS. MAXIMUM VOLTAGE DROP OF 5%.

