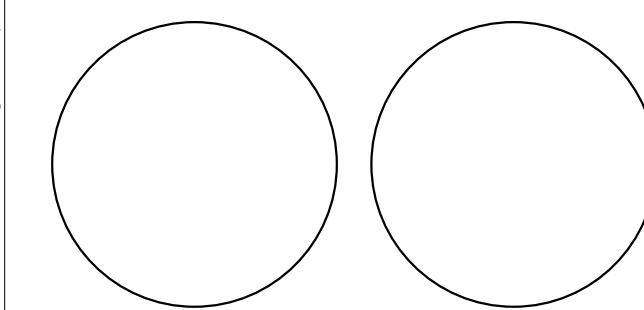


issue / rev.

#	date	issued notes
1	2017.01.11	ISSUED FOR ADDENDUM 5
0	2016.12.08	ISSUED FOR CONSTRUCTION

professional seals



project information

SEVEN OAKS POOL RENOVATION & ADDITION

444 ADSUM DRIVE
WINNIPEG, MB
CANADA

client

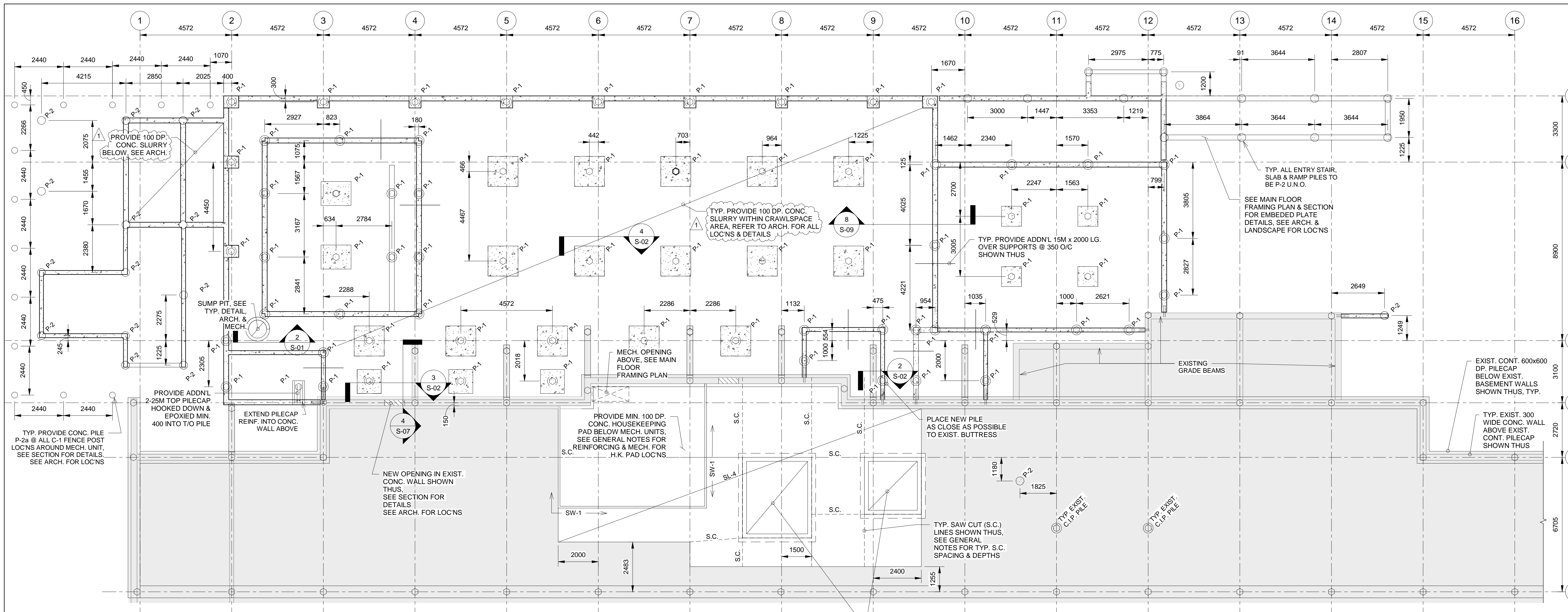
CITY OF WINNIPEG
4TH FLOOR - 85 KING ST.
WINNIPEG, MB

drawing information

Basement & Foundation Framing Plan

drawn by: M.B./AVP
approved by: FDW

scale: As indicated
date issued: 2017.01.11
proj. #: W14432
rev. #: 1



1 Partial Basement & New Foundation Framing Plan
1 : 100

DESIGN LOADS:
DEAD LOAD: SELF WEIGHT
LIVE LOAD: 3.6 kPa

NOTE: ALL PILES TO BE P-1 U.N.O. SEE PILE SCHEDULE FOR ADDNL NOTES

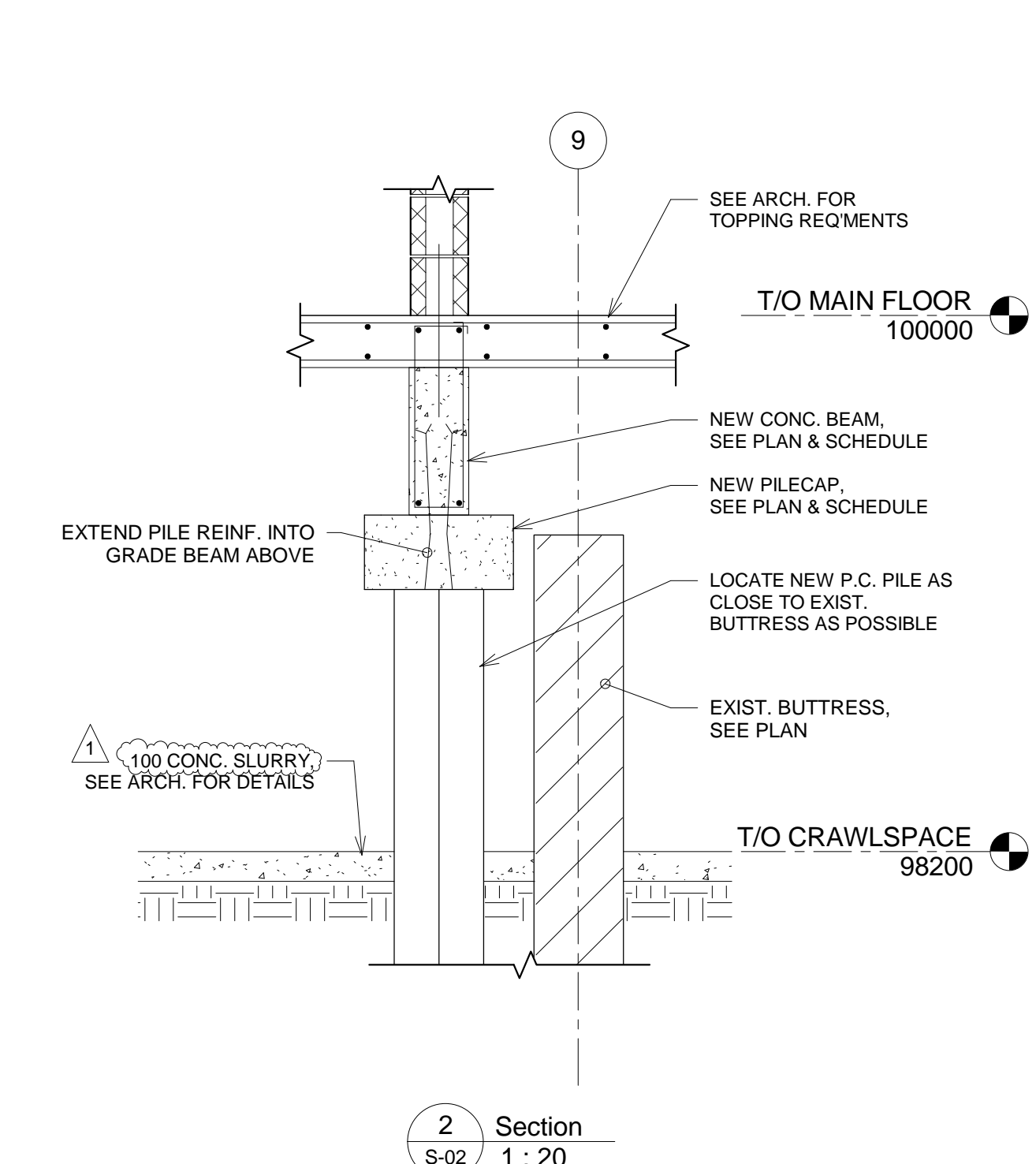
NOTE: SEE MAIN FLOOR FRAMING PLAN FOR CONC. WALLS, GRADE BEAMS & SLABS

CONFIRM ALL DIM'S W/ ARCH.

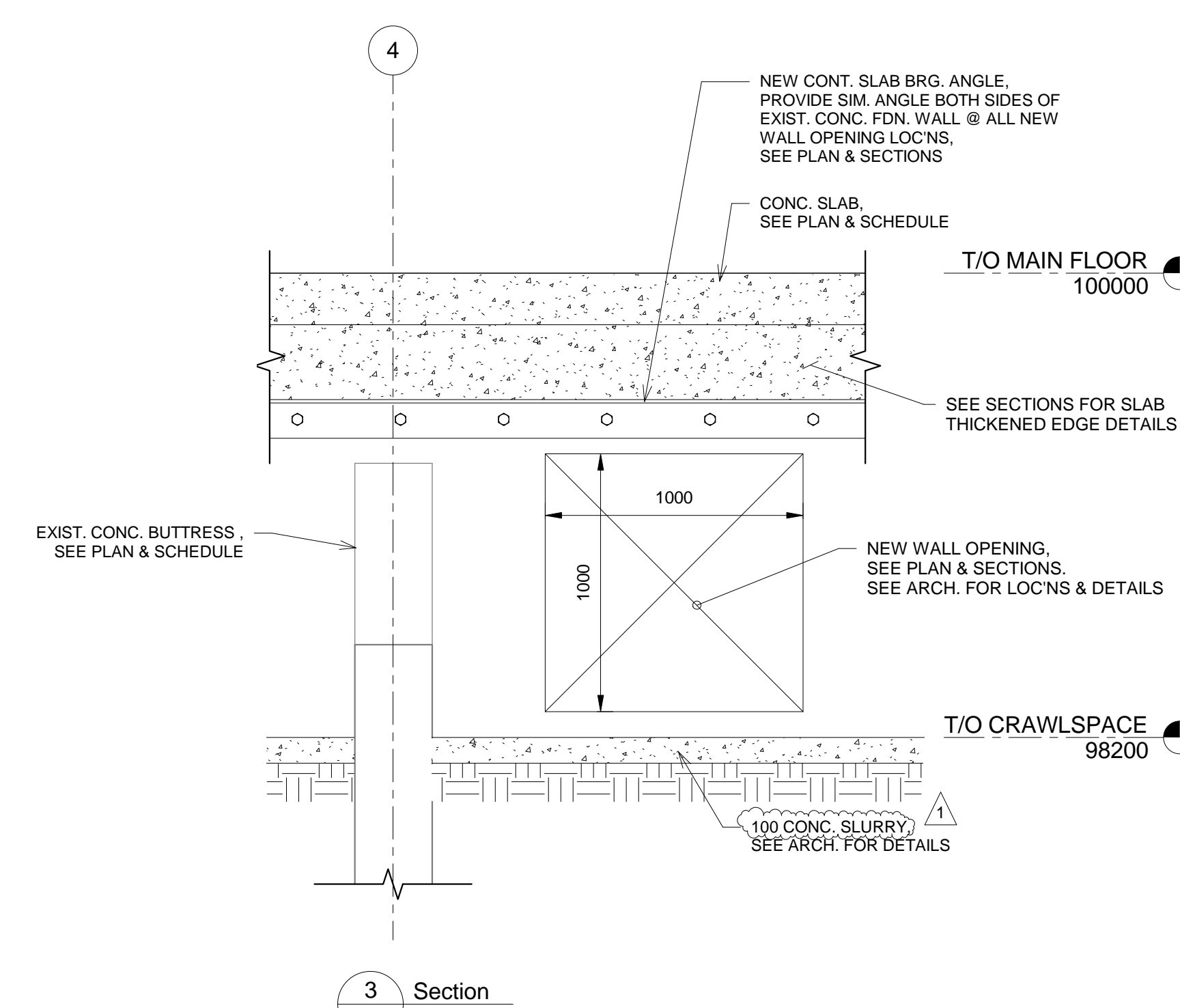
NOTE: PROVIDE 100mm DP. CONC. SLURRY WITHIN CRAWLSPACE AREA, SEE ARCH. FOR LOC'NS & DETAILS

WATER TANK SCHEDULE

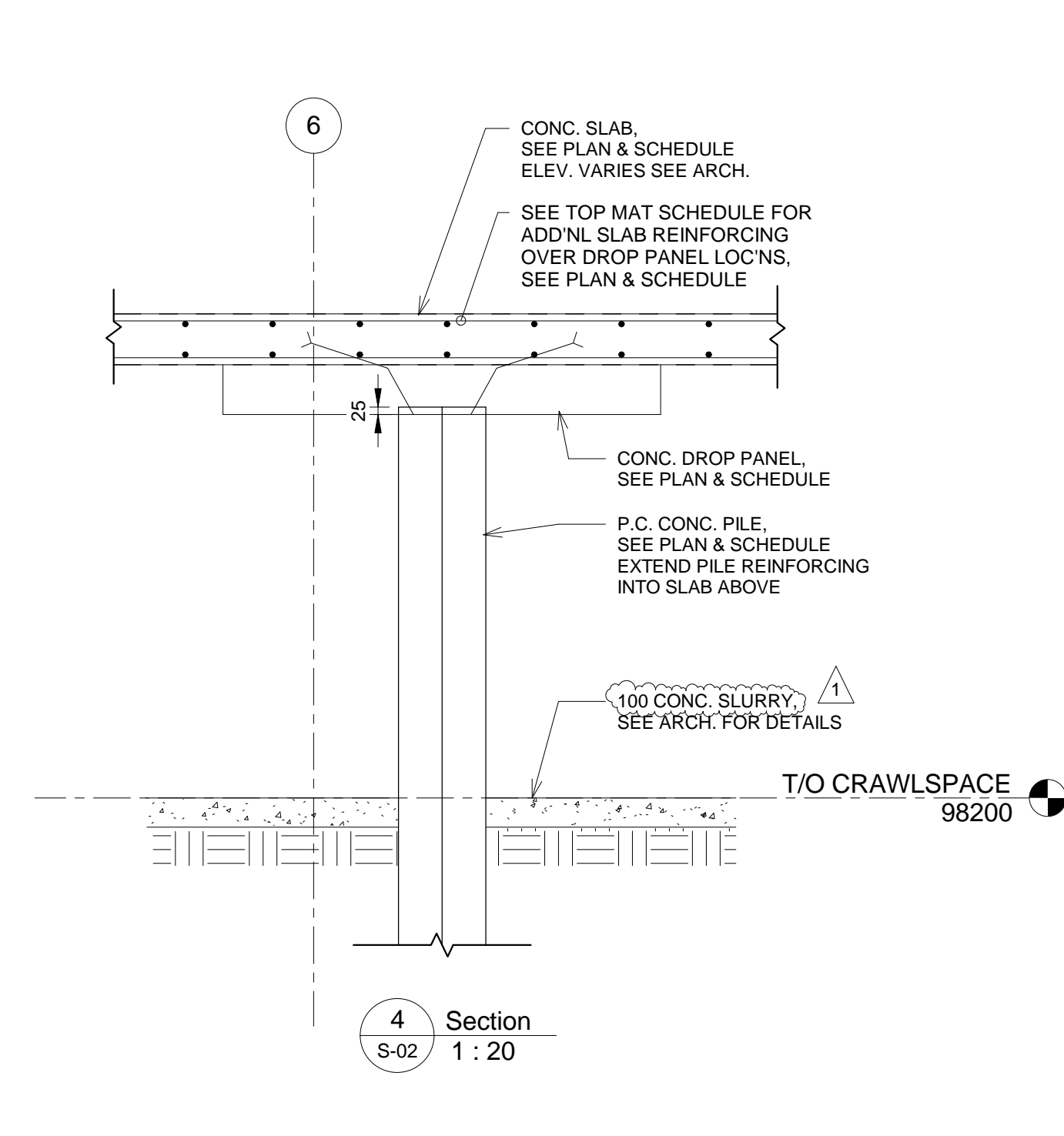
250x1830 DP. CONC. WALLS ALL AROUND R/W 2-20M TOP HORIZ. ALL AROUND W/ 10M @ 125 O/C EA. WAY. EA. FACE PROVIDE MATCHING CORNER BARS & DOWELS FROM SLAB PROVIDE 50mm CLEAR COVER TO REBAR INSIDE FACES OF TANKS. 38x89 KEY & SIKKA SWELL WATER STOP @ WALL BOT. ALL AROUND 300 DP. CONC. SLAB BELOW W/ 200 PAST O.F. OF WALL R/W 15M @ 300 O/C EA. WAY, TOP & BOT.



2 Section S-02
1 : 20



3 Section S-02
1 : 20



4 Section S-02
1 : 20

This drawing must not be scaled. The contractor shall verify all dimensions and other data on site prior to commencement of work. All discrepancies, errors, and omissions are to be reported to the architect. Drawings and specifications, as instruments or service, are the property of the architect. No reproduction may be made without the permission of the architect, and when made, must bear his name. All prints to be returned to the architect on request.