

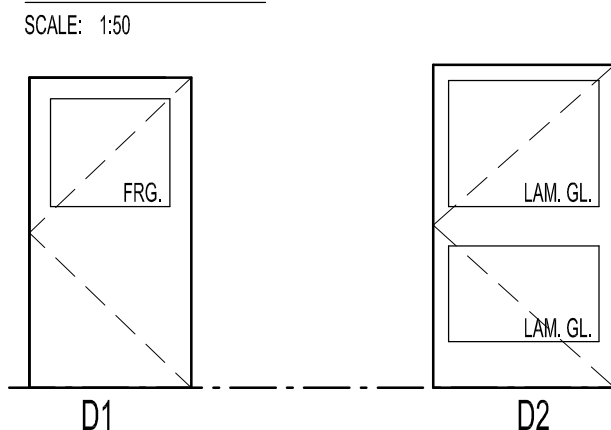
AREA OF NORTH SKYWALK ARCHITECTURAL RESTORATION

DOOR SCHEDULE														
DOOR NO.	DOOR							FRAME				FIRE RATING	HOWE GROUP	REMARKS
	WIDTH	HEIGHT	THICK.	TYPE	FINISH	STYLE	PROT.	TYPE	FINISH	STYLE	PROT.			
2:137	PR. 1070	2050	45	HM./FRG.	PNT.	D1	KP.	HM.	PNT.	F1		45 MIN.	2	ADO., HO., R1
2:137.1	PR. 1070	2050	45	HM./FRG.	PNT.	D1	KP.	HM.	PNT.	F1		45 MIN.	1	HO., R1
2:137A	PR. 1200	2135	45	AL./LAM. GL.	-	D2	KP.	AL.	-	F2		-	4	ADO., R1, R2
2:137A.1	PR. 1200	2135	45	AL./LAM. GL.	-	D2	KP.	AL.	-	F2		-	3	R1
2:137B	X. PR.	X.	X.	X. HM./WG.	PNT.	X.	X. KP.	HM.	PNT.	X.		45 MIN.	5	X. ADO., DE., R1, R3, R4

REMARKS:
 R1 CONFIRM DOOR OPENING SIZES ON SITE. TYPICAL EXISTING & NEW OPENINGS.
 R2 PREPARE ALUMINUM DOOR HEADER FRAME TO ACCOMMODATE CONCEALED AUTOMATIC DOOR OPERATOR.
 R3 REPAIR DOORS & FRAMES. PREPARE FOR PAINT & NEW HARDWARE INSTALLATIONS.
 R4 COORDINATE NEW HARDWARE DIMENSIONS & MOUNTING LOCATIONS WITH EXISTING DOOR & FRAME ON SITE.

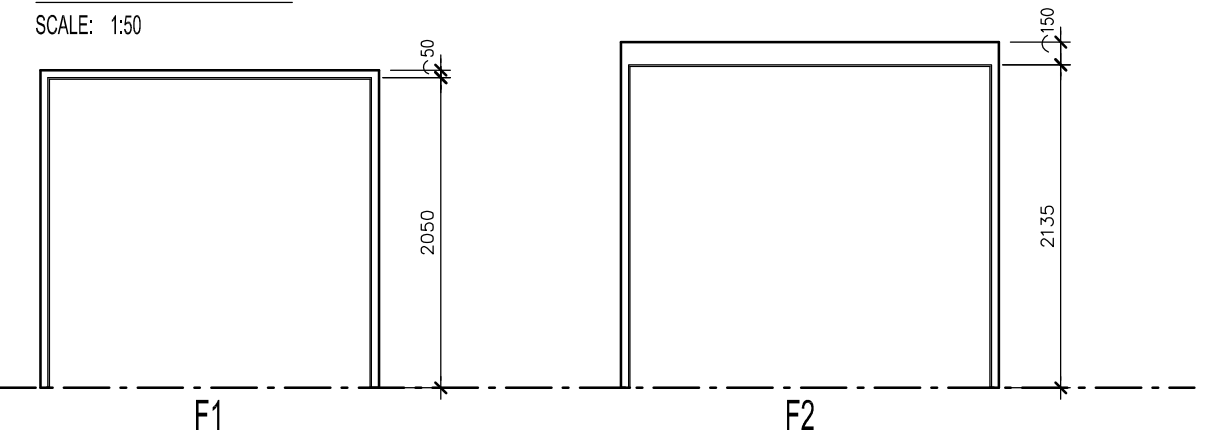
DOOR SCHEDULE ABBREVIATIONS:
 AL. ALUMINUM
 ADO. AUTOMATIC DOOR OPERATOR
 DE. DOUBLE EGRESS
 FRG. FIRE RATED GLASS
 GL. GLAZING
 HM. HOLLOW METAL WELDED
 HO. HOLD OPEN DEVICE
 KP. KICK PLATE
 LAM. GL. LAMINATED GLAZING
 PNT. PAINT
 PR. PAIR
 WG. WIRED GLAZING
 X. EXISTING

DOOR STYLES:

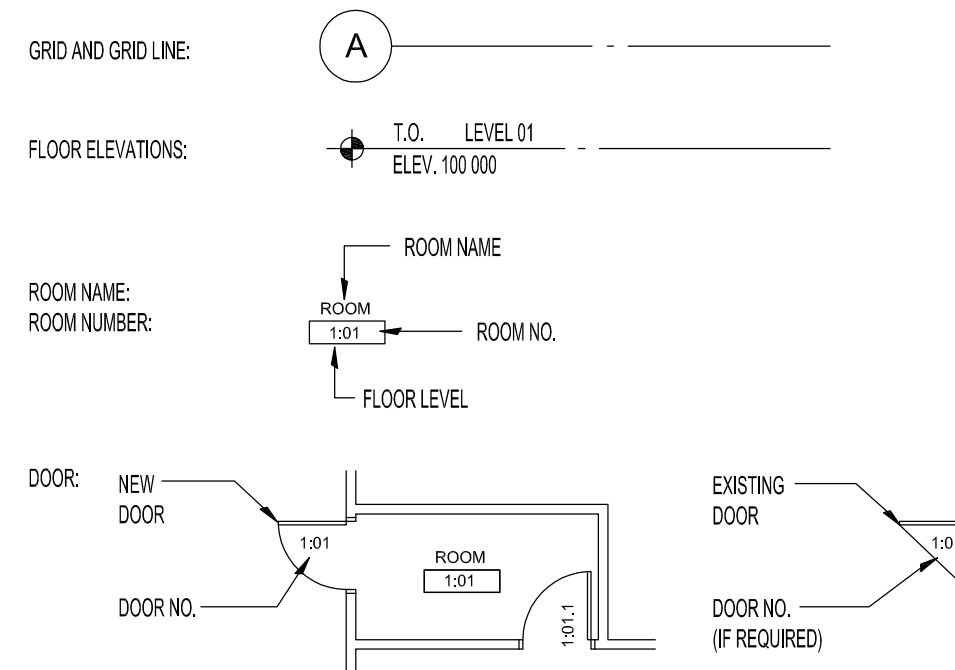


NOTE:
 - ALL GLAZING IN FIRE-RATED DOORS TO BE CLEAR FIRE RATED GLASS (FRG.)
 - ALL GLAZING IN NON-FIRE RATED DOORS TO BE LAMINATED GLASS (LAM. GL.)

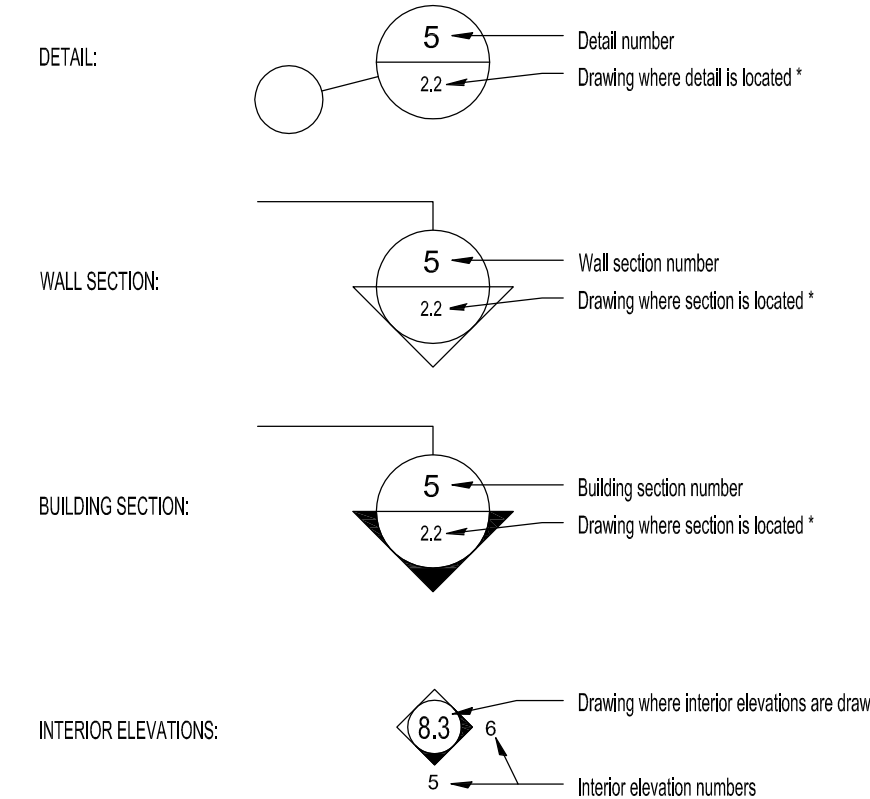
FRAME STYLES:



DRAWING SYMBOLS AND CONVENTIONS:



DRAWING REFERENCE SYMBOLS:



RBC CONVENTION CENTRE
 ARCHITECTURAL RESTORATION OF THE
 NORTH RBC CONVENTION CENTRE SKYWALK
 375 YORK AVENUE, WINNIPEG, MB
 PROJECT No: 2015-075
 BID OPPORTUNITY No: 218-2016

ARCHITECTURAL DRAWINGS

- A0 COVER SHEET
- A1 LEVEL 01 - NORTHEAST ENTRANCE FLOOR PLAN & REFLECTED CEILING PLAN
- A2 LEVEL 02 - NORTH SKYWALK CONNECTION DEMOLITION & CONSTRUCTION PLANS
- A3 PARTIAL BUILDING SECTIONS
- A4 ELEVATIONS & SECTIONS
- A5 PLAN DETAILS

STRUCTURAL DRAWINGS

- S1.1 PARTIAL LEVEL 01 & LEVEL 02 FRAMING PLANS
- S1.2 GENERAL NOTES, SECTIONS & DETAILS

MECHANICAL DRAWINGS

- M1 LEVEL 01 & 02 - NORTHEAST ENTRANCE - FLOOR PLAN - MECHANICAL

ELECTRICAL DRAWINGS

- E1 LEVEL 01 - NORTHEAST ENTRANCE - LEVEL 02 - NORTH SKYWALK CONNECTION - ELECTRICAL
- E2 ELECTRICAL SPECIFICATION

BUILDING CODE SUMMARY:

COMMENTARY:
 THESE COMMENTS ARE PREPARED FOR THE PURPOSE OF REVIEW BY THE AUTHORITIES HAVING JURISDICTION. CONTRACTORS SHALL NOT USE THESE FIGURES FOR CONSTRUCTION. THESE ITEMS ARE ONLY A SUMMARY OF BUILDING CODE REQUIREMENTS. REFER TO FULL DOCUMENT SET FOR EXACT CONSTRUCTION TYPES AND QUANTITIES.

PROJECT DESCRIPTION:
 THIS PROJECT CONSISTS OF A PARTIAL INTERIOR & EXTERIOR RESTORATION TO THE EXISTING NORTHEAST SKYWALK LINK & ASSOCIATED SOFFITS & FASCIAS AT THE RBC CONVENTION CENTRE AT 375 YORK AVENUE, WINNIPEG, MANITOBA. THE SCOPE OF WORK INCLUDES SELECTIVE DEMOLITION, NEW CONSTRUCTION & NEW FINISHES TO THE AREAS AFFECTED BY THE RENOVATION.

THE FOLLOWING BUILDING CODE SUMMARY IS BASED ON A REVIEW OF THE NATIONAL BUILDING CODE 2010 EDITION INCLUDING ALL APPLICABLE MANITOBA AMENDMENTS AS IT RELATES TO THE ABOVE NOTED PROJECT.

SECTION 3.1 - GENERAL:
 3.1.2 MAJOR OCCUPANCY CLASSIFICATION: GROUP A, DIVISION 2 (ASSEMBLY)
 OTHER INTENDED OCCUPANCY GROUPS: GROUP D (OFFICES), GROUP E (RETAIL) & GROUP F-3 (STORAGE & SERVICE ROOMS, PARKADE)

BUILDING AREA: 23,500 m²
 BUILDING HEIGHT: 4 STOREYS
 BUILDING FACING: 4 STREETS
 BUILDING PROTECTION: FULLY SPRINKLERED

SECTION 3.2 - BUILDING FIRE SAFETY:
 3.2.2.24 GROUP A, DIVISION 2, UP TO 6 STOREYS, ANY AREA, SPRINKLERED
 3.2.2.82 GROUP E, ANY HEIGHT, ANY AREA, SPRINKLERED
 3.2.2.78 GROUP F, DIVISION 3, ANY HEIGHT, ANY AREA, SPRINKLERED

BUILDING CONSTRUCTION: NON-COMBUSTIBLE CONSTRUCTION
 FIRE RESISTANCE RATING NOT LESS THAN 2 HOURS
 FLOOR ASSEMBLIES: FIRE RESISTANCE RATING NOT LESS THAN 2 HOURS
 MEZZANINES: FIRE RESISTANCE RATING NOT LESS THAN 1 HOUR
 LOADBEARING ELEMENTS: FIRE RESISTANCE RATING NOT LESS THAN SUPPORTED ELEMENTS
 SKYWALK SEPARATION: FIRE RESISTANCE RATING NOT LESS THAN 1 HOUR

NOTES:
 CONSTRUCTION GENERAL NOTES:

1. THESE DRAWINGS SHALL NOT BE SCALED.
2. THE CONTRACTOR SHALL VISIT THE SITE & VERIFY THAT ALL DIMENSIONS & DETAILED INFORMATION SHOWN IS CORRECT.
3. ALL DIMENSIONS ARE TO FACE OF GYPSUM BOARD OR CONCRETE OR MASONRY UNLESS OTHERWISE NOTED. DIMENSIONS TO STRUCTURAL GRIDLINES & COLUMN CENTRELINES ARE INDICATED WITH A DOT.
4. CAULK WITH APPROVED JOINT SEALANT, PERIMETER OF GYPSUM BOARD CONTINUOUSLY BOTH SIDES OF ALL FIRE SEPARATIONS & INTERIOR WALLS CONTAINING ACOUSTIC INSULATION.
5. ALL PRODUCTS & MATERIALS TO BE USED & INSTALLED SHALL CONFORM WITH THE MANUFACTURER'S SPECIFICATIONS & APPLICABLE CODES.
6. SUPPLY & INSTALL FIRESTOPPING & SMOKE SEALS AROUND ALL PENETRATIONS THROUGH FIRE SEPARATIONS TO MAINTAIN THE INTEGRITY OF THE FIRE SEPARATION.
7. FIRE SEPARATIONS ARE INDICATED BY LINE TYPE DESIGNATION ON DRAWINGS - REFER TO LEGEND. CONSTRUCT ALL INTERIOR FIRE SEPARATIONS TO MAINTAIN THE CONTINUITY OF THESE SEPARATIONS & RATINGS. FIRE SEPARATIONS SHALL BE FULLY LABELED ON THE WALL WITH 150mm HIGH LETTERS ABOVE THE FINISHED CEILING @ 6.0 m O.C.
8. ALL GYPSUM BOARD TO BE "TYPE X" TO ACHIEVE FIRE RATINGS INDICATED.
9. RESTORE/REPAIR ALL EXISTING WALLS, FLOORS & CEILINGS WITHIN AREAS OF RENOVATION AFFECTED BY CONSTRUCTION TO ORIGINAL CONDITION. FINISH TO MATCH EXISTING OR AS INDICATED.
10. THE CONTRACTOR SHALL COORDINATE MECHANICAL AND ELECTRICAL WITH STRUCTURE & ADJUST PURLING AS REQUIRED IN CONJUNCTION WITH CONTRACT ADMINISTRATOR.

DEMOLITION GENERAL NOTES:

THE FOLLOWING NOTES AND DRAWINGS ARE INTENDED TO ASSIST THE CONTRACTOR IN DETERMINING THE EXTENT OF DEMOLITION & REPAIR WORK NECESSARY IN ORDER TO CONSTRUCT THE NEW WORK CONTAINED IN THE CONTRACT DOCUMENTS.
 THE DEMOLITION SHOWN INCLUDES BUT IS NOT NECESSARILY LIMITED TO THE NOTES INDICATED ON THESE DRAWINGS.

1. DEMOLISH ALL EXISTING CONSTRUCTION AS INDICATED BY DASHED LINES.
2. REFER TO STRUCTURAL DRAWINGS & SPECIFICATIONS FOR REMOVAL & REPAIR TO EXISTING CONCRETE SLAB - TYPICAL.
3. CONTRACT ADMINISTRATOR IS TO HAVE RIGHT OF FIRST REFUSAL FOR ALL ITEMS INDICATED TO BE REMOVED FROM AREAS OF RENOVATION.
4. COORDINATE EXISTING SERVICES TO REMAIN WITH MECHANICAL & ELECTRICAL.
5. PATCH AND REPAIR ALL EXISTING SURFACES WHICH ARE TO RECEIVE NEW FINISHES AND SURFACES AFFECTED OR DAMAGED BY DEMOLITION.
6. REPAIR ALL EXISTING CONSTRUCTION WHERE DEMOLITION OCCURS TO MATCH EXISTING CONSTRUCTION UNLESS OTHERWISE INDICATED. REPAIRS ARE TO INCLUDE, BUT ARE NOT NECESSARILY LIMITED TO EXISTING CEILINGS, FLOORS & ANY ADJOINING OR ABUTTING WALLS.
7. THE CONTRACTOR SHALL NOTIFY THE CONTRACT ADMINISTRATOR OF ALL CONDITIONS UNCOVERED DURING DEMOLITION WHICH MAY ADVERSELY AFFECT THE INSTALLATION OR PERFORMANCE OF NEW CONSTRUCTION OR FINISHES.
8. MAINTAIN THE INTEGRITY OF EXISTING FIRE RATED SEPARATIONS WHERE DEMOLITION AND/OR NEW CONSTRUCTION OCCURS. APPLY APPROVED FIRESTOPPING AS REQUIRED.
9. REVIEW ASBESTOS MANAGEMENT PLAN FOR ALL BUILDING AREAS WHERE DEMOLITION OCCURS OR CEILING ACCESS IS REQUIRED.
10. REMOVE ALL EXISTING SIGNAGE AND TURN OVER TO CONTRACT ADMINISTRATOR.

No.	REVISION/DESCRIPTION	BY	DATE
4	ISSUED FOR ADDENDUM 1	RS	2016.04.08
3	ISSUED FOR CONSTRUCTION	RS	2016.03.29
2	ISSUED FOR 95% REVIEW SUBMISSION	RS	2016.03.18
1	ISSUED FOR 66% REVIEW SUBMISSION	RS	2016.03.08

SEAL



DRAWN	CHECKED	DESIGNED	APPROVED
DATE: 2016.04.08	USER	APPROVAL	

THE CITY OF WINNIPEG
 PLANNING, PROPERTY AND
 DEVELOPMENT DEPARTMENT
 MUNICIPAL ACCOMMODATIONS DIVISION
 3-65 GARRY STREET, R3C 4K4

PROJECT
RBC CONVENTION CENTRE
 ARCHITECTURAL RESTORATION OF THE
 NORTH RBC CONVENTION CENTRE SKYWALK
 375 YORK AVENUE, WINNIPEG, MB BID OPP. 218-2016

SHEET TITLE
COVER SHEET

SCALE	PROJECT No:	SHEET No:
AS SHOWN	2015-075	A0