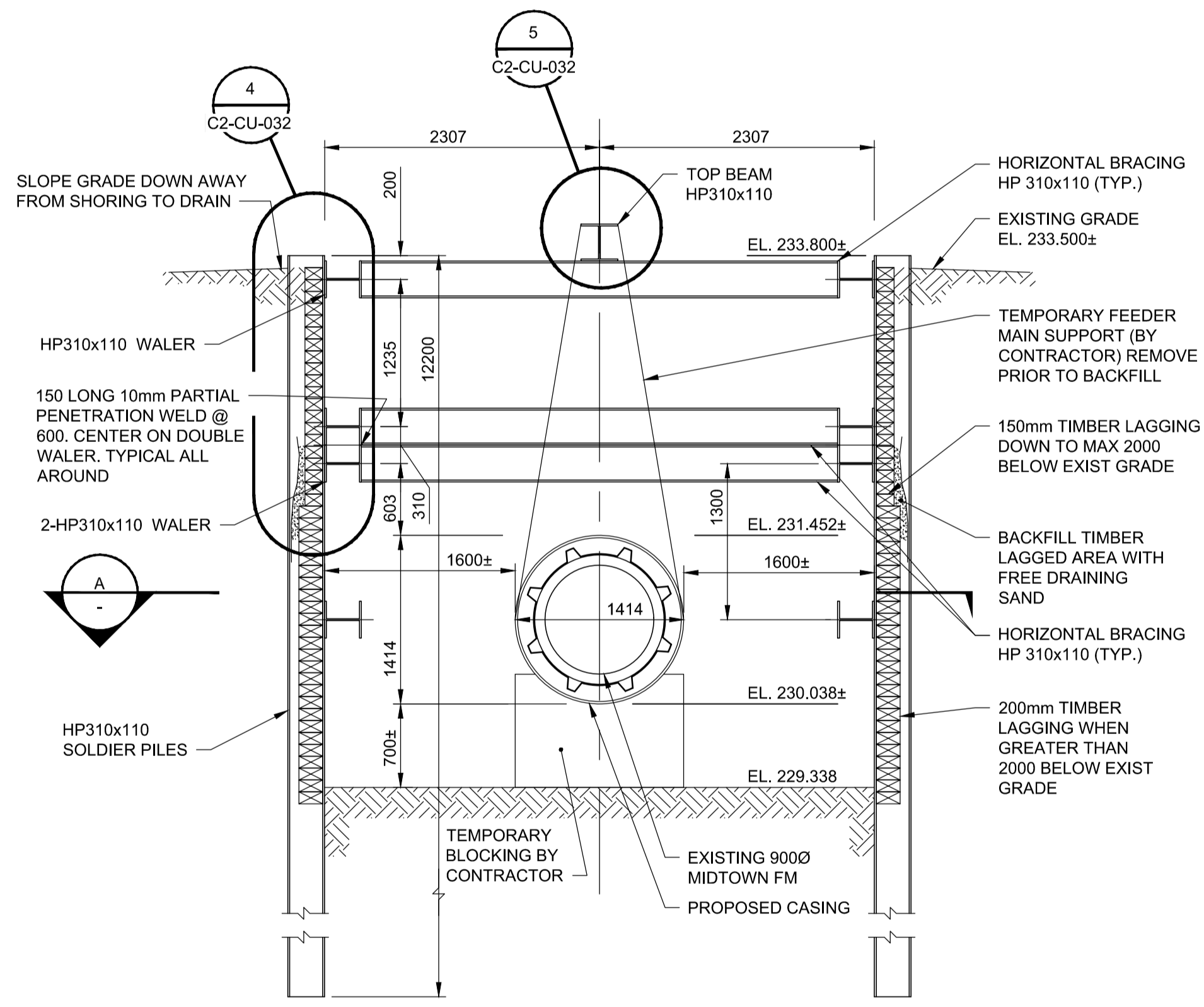
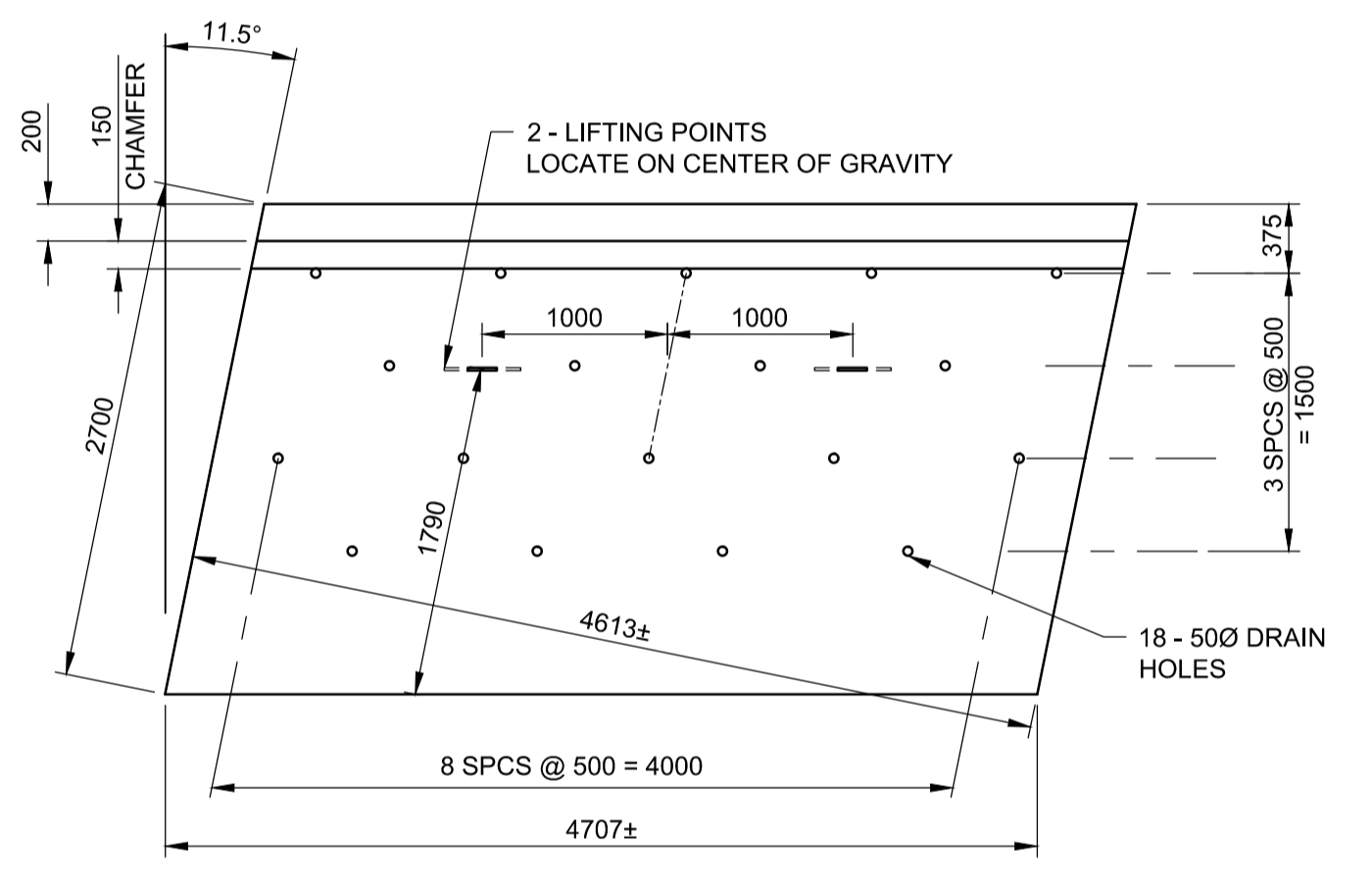


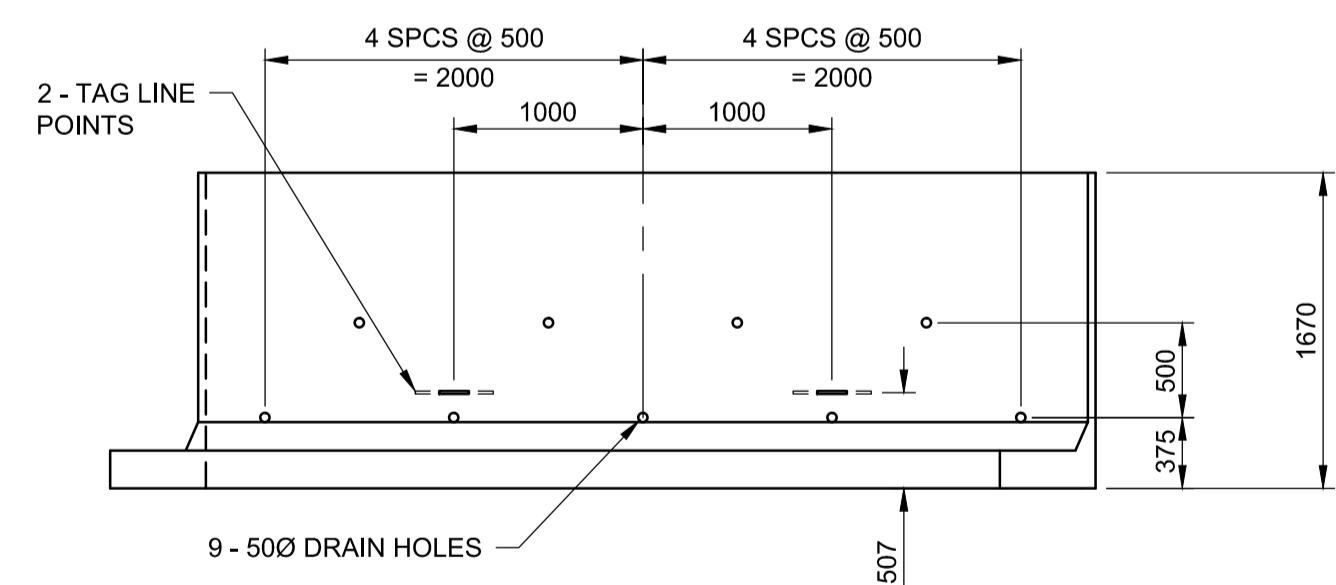
A PLAN SECTION
C2-CU-030 SCALE 1:50



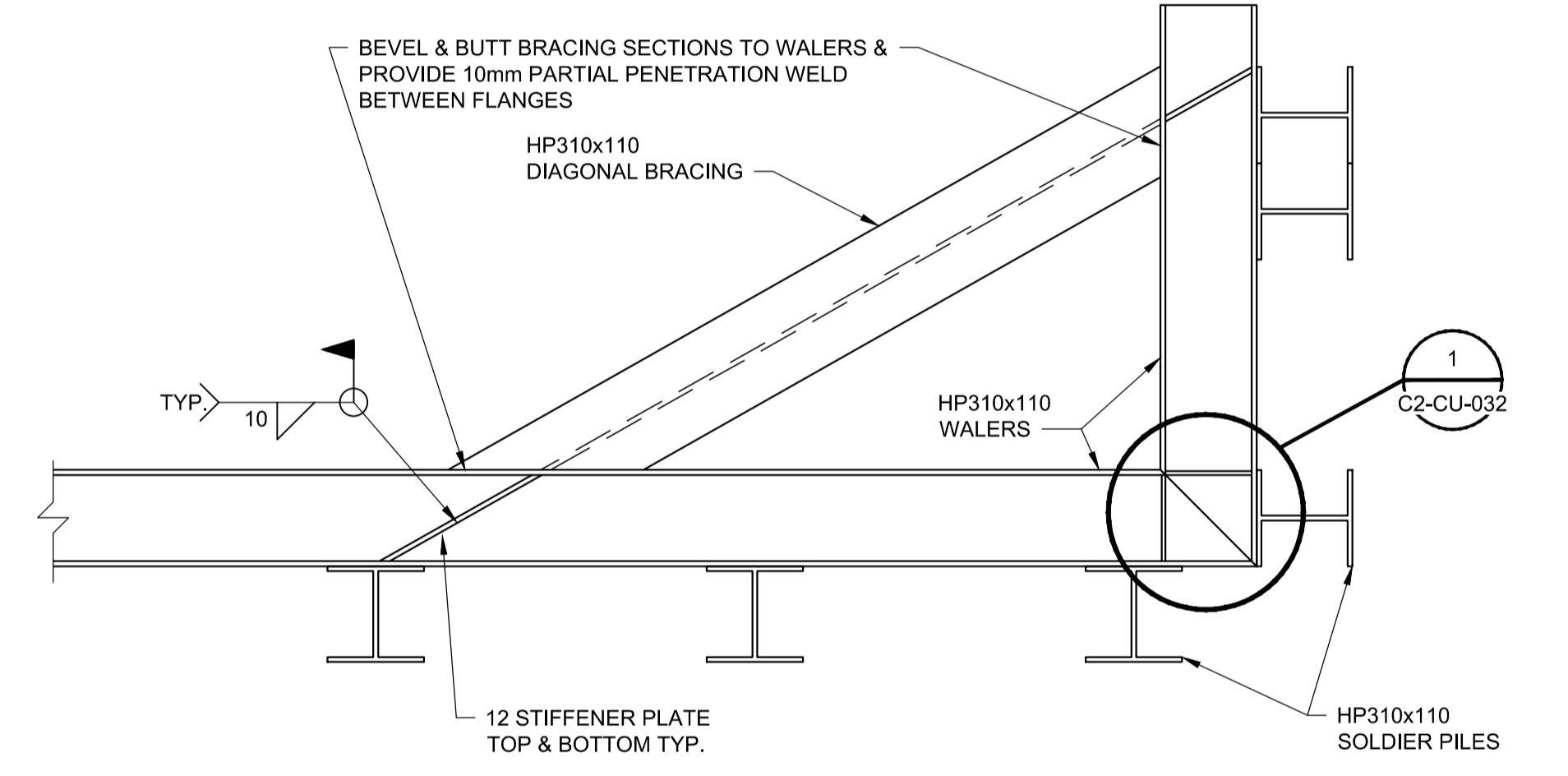
A SECTION
C2-CU-030 SCALE 1:40



PLAN



ELEVATION



1 DETAIL
SCALE 1:20

RETAINING WALL
SCALE 1:40

WARNING

- IF POWER EQUIPMENT ARE TO BE USED FOR EXCAVATION ON THIS PROJECT THE CONTRACTOR MUST:
1. NOTIFY ALL UTILITY COMPANIES OF THE PROPOSED LOCATION OF EXCAVATION.
 2. TAKE PRECAUTION TO AVOID DAMAGE TO UTILITY SEE PROVINCIAL REGULATION 210/72 FOR DETAILS.
 3. OBTAIN EXCAVATION PERMITS PRIOR TO CONSTRUCTION.

AECOM
Certificate of Authorization
AECOM Canada Ltd.
No. 4671 Date: _____
BID OPPORTUNITY NO. 473-2016

METRIC
WHOLE NUMBERS INDICATE MILLIMETRES
DECIMALIZED NUMBERS INDICATE METRES

150 WM	WATER MAIN	150 WM	PIPE ABANDONMENTS	150 WM	WATER MAIN	150 WM
○	HYDRANT	⊕	SURVEY BAR	+	HYDRANT	+
⊙	VALVE	⊙	CURB STOP	×	VALVE	×
○	300 LDS	○	REDUCER	○	LAND DRAINAGE SEWER	○
○	WASTE WATER SEWER	○	COUPLING	○	WASTE WATER SEWER	○
○	SEWER SERVICE PIPE	○	ANODE	○	PAVEMENT CROWN	○
○	DRAINAGE CONNECTION PIPE	○	HYDRO	○	N/W PROPERTY LINE	○
○	MANHOLE	○	MTS	○	S/E PROPERTY LINE	○
○	CATCH BASIN	○	GAS	○	N/W GUTTER	○
○	CURB INLET	○	TESTHOLE	○	S/E GUTTER	○
○	CULVERT	○	LAMP STANDARD	○		
○	EXISTING	○	NEW	○	LEGEND - PROFILE	○

UNDERGROUND STRUCTURES	DATE
SUPV. U/G STRUCTURES	

NO.	REVISIONS	DATE	BY
1	ISSUED FOR ADDENDUM 1	17/01/25	DKD
0	ISSUED FOR TENDER	17/01/09	DKD

AECOM

DESIGNED BY	DKD	CHECKED BY	FT/SBB
DRAWN BY	KC	APPROVED BY	SBB
HOR. SCALE	AS NOTED	RELEASED FOR CONSTRUCTION	
VERTICAL		DATE	

ENGINEER'S SEAL
PROVINCE OF MANITOBA
DK. DAS
Member
35493
REGISTERED PROFESSIONAL ENGINEER

THE CITY OF WINNIPEG
PUBLIC WORKS DEPARTMENT

Waverley Street Underpass at CN Mile 3.89 Rivers Sub
CONTRACT 2: UNDERPASS STRUCTURE, RAILWORKS,
ROADWORKS, LAND DRAINAGE SEWER, PUMPING STATION
AND LANDSCAPING WORKS

CITY DRAWING NUMBER
U239-2016-C2-CU-031
SHEET 31 OF 41

CONSULTANT DRAWING NUMBER
C2-CU-031

SHORING DETAILS FOR EXISTING
MIDTOWN FEEDER MAIN - SHEET 2

CONSULTANT PROJECT NUMBER
60321148