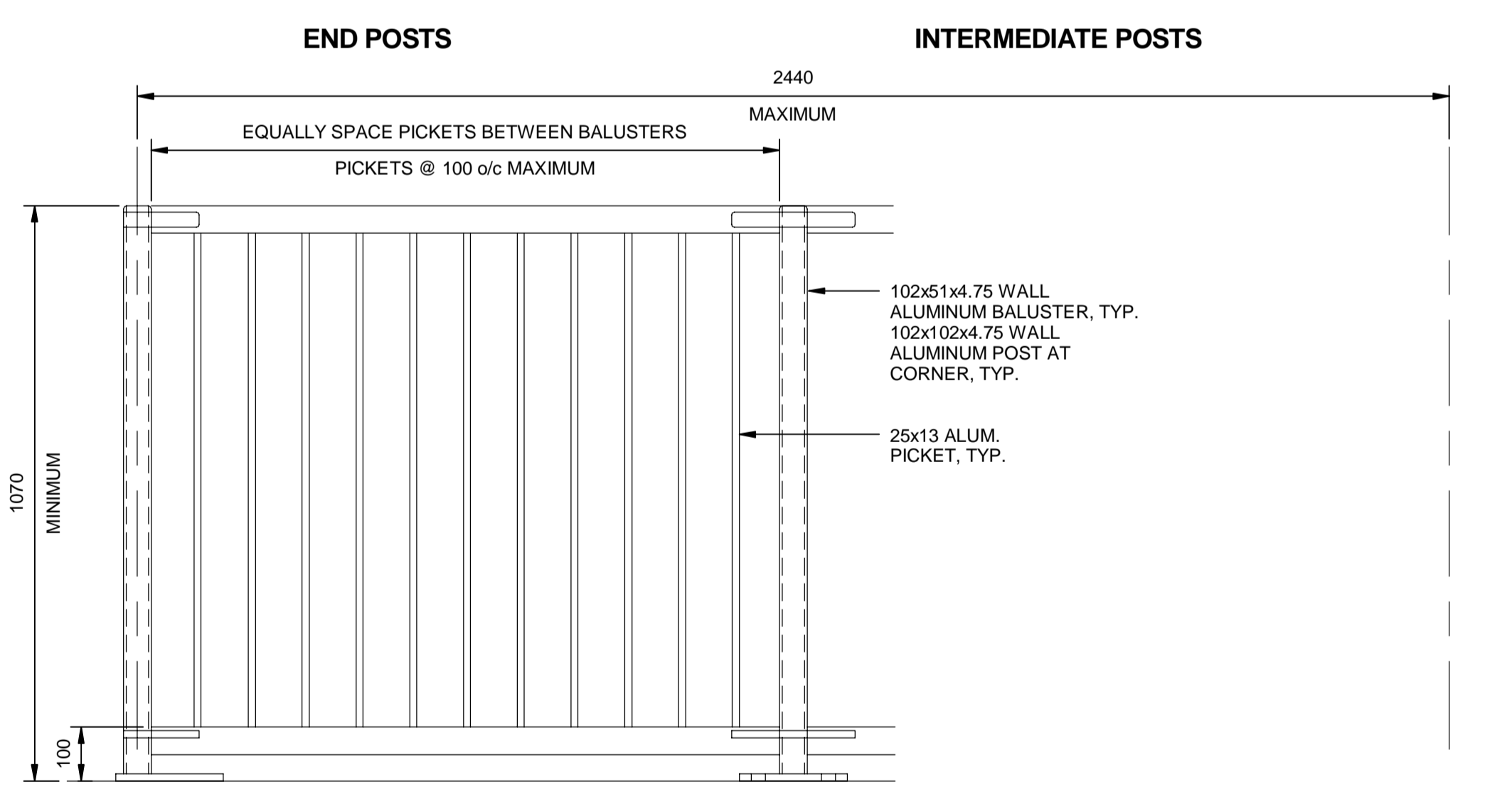
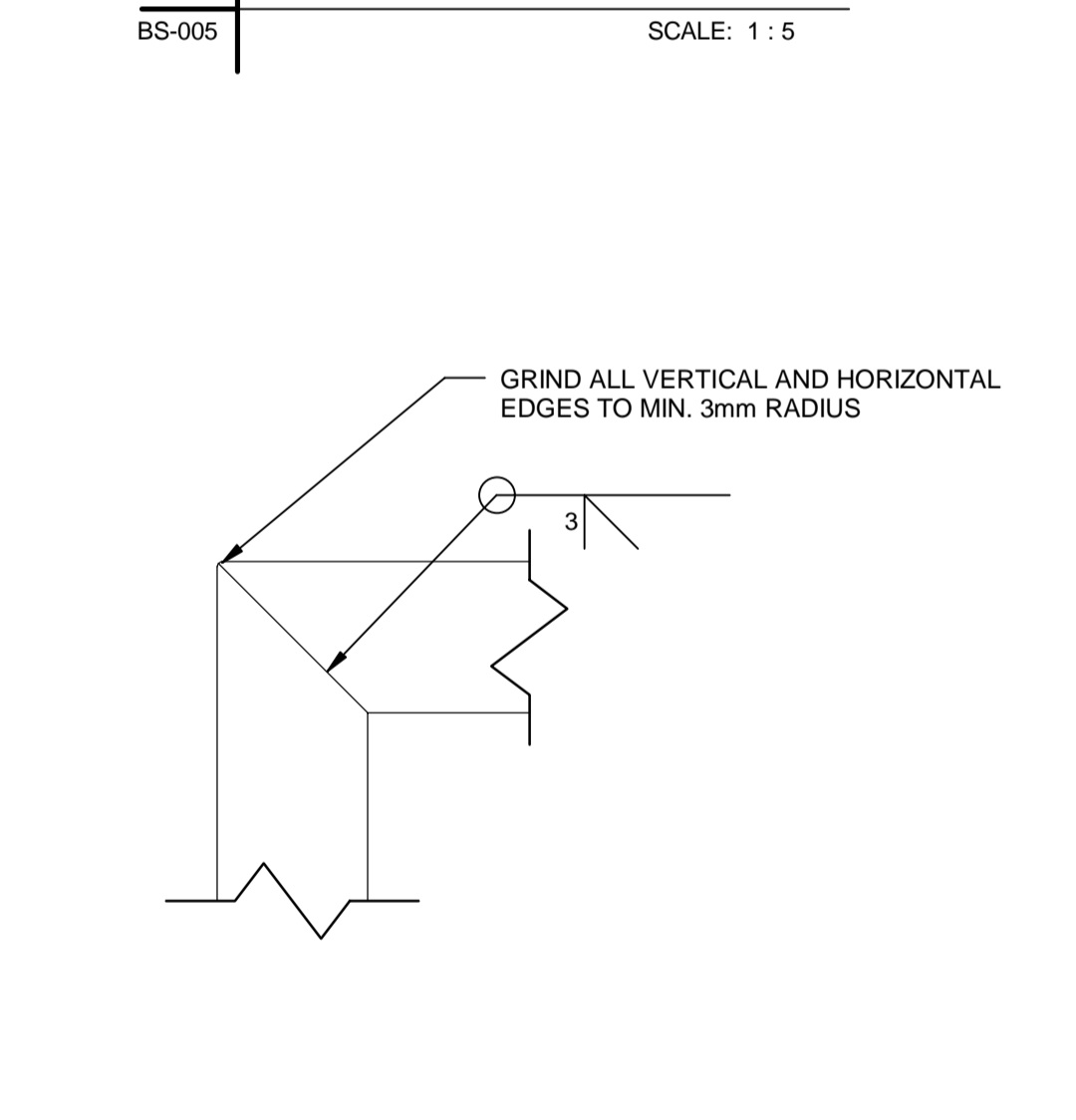


4 | DETAILS

BS-005 SCALE: 1:5



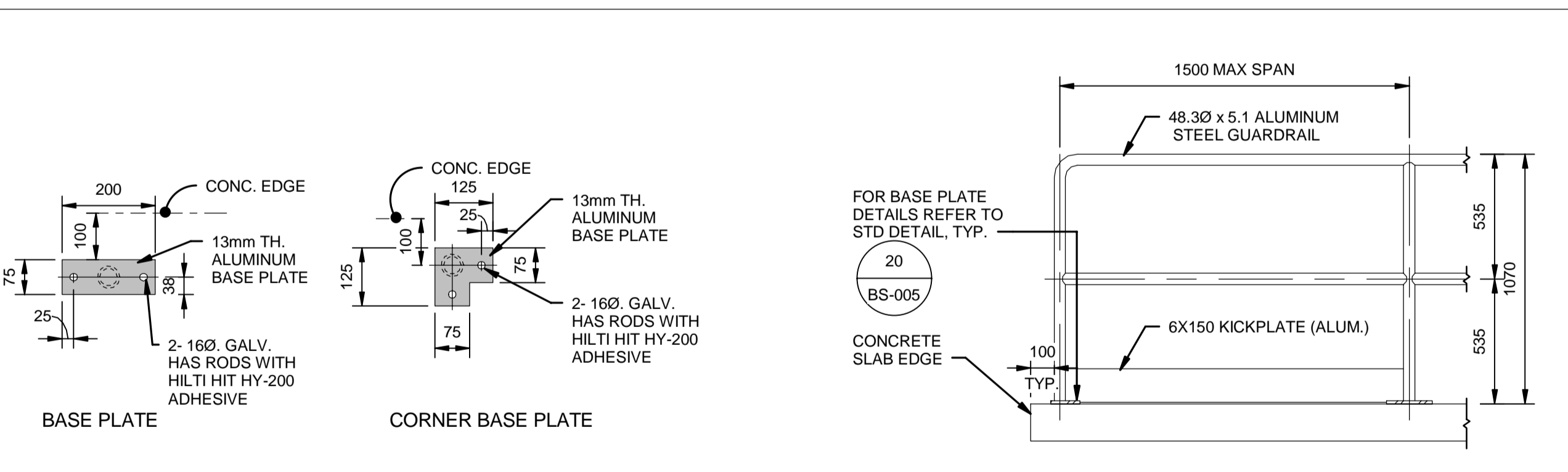
1 | ELEVATION
 BS-005 SCALE: 1:10



3 | DETAIL
 BS-005 SCALE: 1:5

20 | TOP MOUNT ALUMINUM GUARDRAIL

BS-005 SCALE: 1:5



19 | STD DETAIL ALUM. GUARDRAIL TO CONCRETE BASE PLATE
 BS-005 SCALE: 1:10

18 | STD DETAIL ALUM. GUARDRAIL TO CONCRETE
 BS-005 SCALE: 1:20

- NOTES:**
- THIS DRAWING TO BE READ IN CONJUNCTION WITH SHEET No. BS-201 AND THE SPECIFICATIONS.
 - ALUMINUM EXTRUSIONS SHALL CONFORM TO ASTM B221, ALLOY 6351-T6. ALUMINUM PLATES SHALL CONFORM TO ASTM B221, ALLOY 5083. STAINLESS STEEL HEXAGONAL HEAD CAP SCREWS SHALL MEET THE ASTM A278, TYPE 430 REQUIREMENTS.
 - M.I.G. WELDING PROCESS SHALL BE USED.
 - RAIL POST AND BALUSTERS SHALL BE SET VERTICAL.
 - ANTI-SEIZE COATING TO BE SUPPLIED AND APPLIED TO ALL THREADED COMPONENTS WHEN BEING ASSEMBLED, IE. LPS-3- MANUFACTURE HOLT-LLOYD (CANADA) LTD. MARKHAM ONTARIO.
 - SS DENOTES STAINLESS STEEL.
 - ALL SLOTTED HOLES MUST BE FINISHED SMOOTH AND TRUE.
 - PROVIDE TAMPER PROOF HARDWARE INCLUDING NYLON LOCKNUTS.
 - PROVIDE A BITUMINOUS COATING IF ALUMINUM COMPONENTS ARE IN CONTACT WITH CONCRETE.



UNDERGROUND STRUCTURES		B.M. ELEV.
SUPV. U/G STRUCTURES	DATE	
1	ISSUED FOR ADDENDUM 2	17/02/03
O	ISSUED FOR TENDER	17/01/09
NO.	REVISIONS	DATE BY
		06/01/2016
		09/06/2016

AECOM

DESIGNED BY: KK/JT
 CHECKED BY: SBB
 DRAWN BY: KK
 APPROVED BY: AN
 HOR. SCALE: AS SHOWN
 VERTICAL: AS SHOWN
 RELEASED FOR CONSTRUCTION: _____
 DATE: 09/06/2016

ENGINEER'S SEAL
 PROVINCE OF MANITOBA
J.A. THOMPSON
 Member
 30632
 CONSULTANT PROJECT NUMBER
 60321148

THE CITY OF WINNIPEG
 PUBLIC WORKS DEPARTMENT

Waverley Street Underpass at CN Mile 3.89 Rivers Sub
 CONTRACT 2: UNDERPASS STRUCTURE, RAILWORKS, ROADWORKS, LAND DRAINAGE SEWER, PUMPING STATION AND LANDSCAPING WORKS

CITY DRAWING NUMBER: U-239-2016-C2-BS-005
 SHEET 5 OF 16
 CONSULTANT DRAWING NUMBER: C2-BS-005

PUMPING STATION STANDARD DETAILS

P:\60321148\900-Work\910-CAD\900-CAD\900-SUPPORT\PROJECT_TITLE_BLOCKS\Title_Block_for_Pump_Station_works\1633853-XTB-C1-CU.dwg