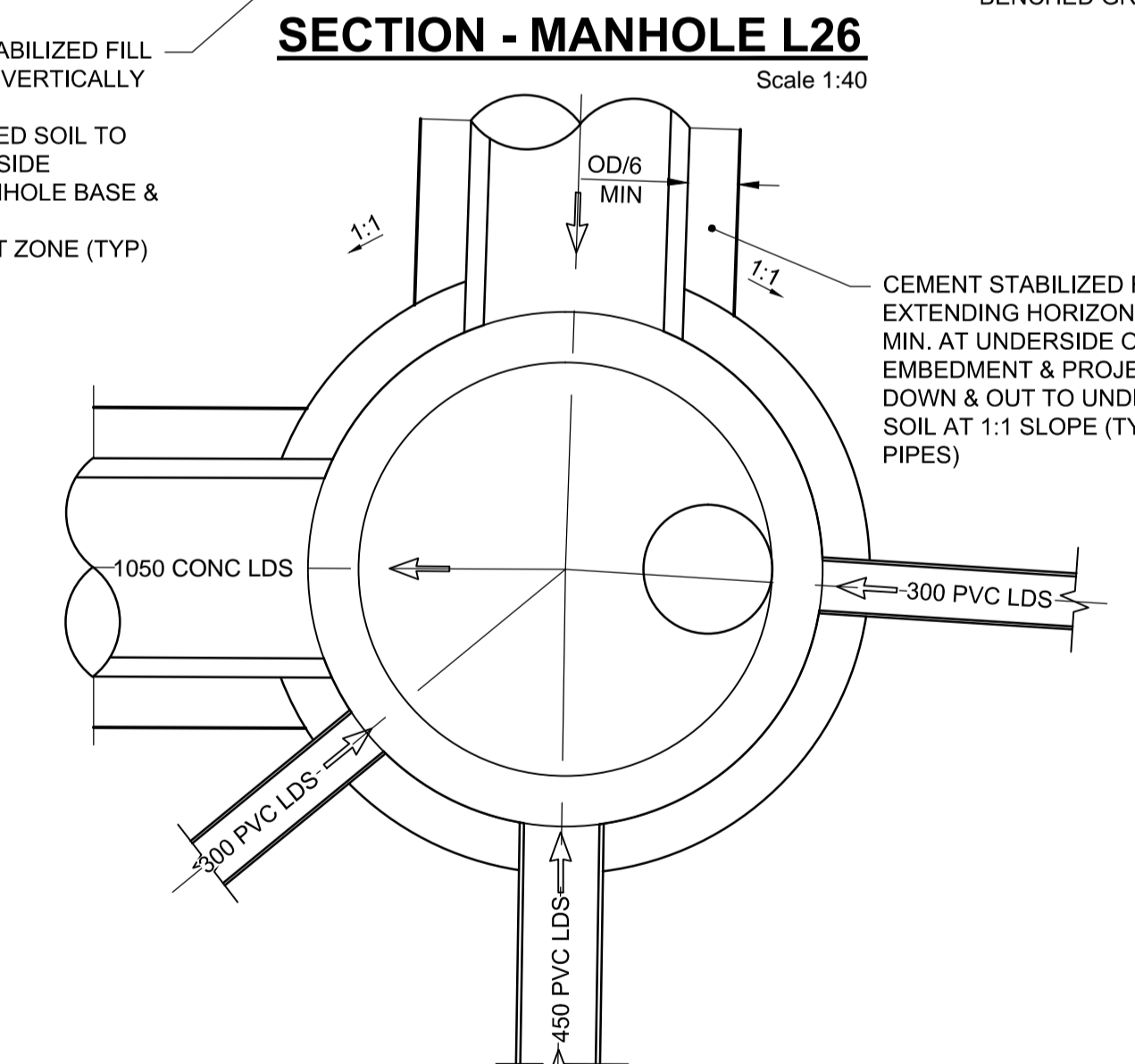
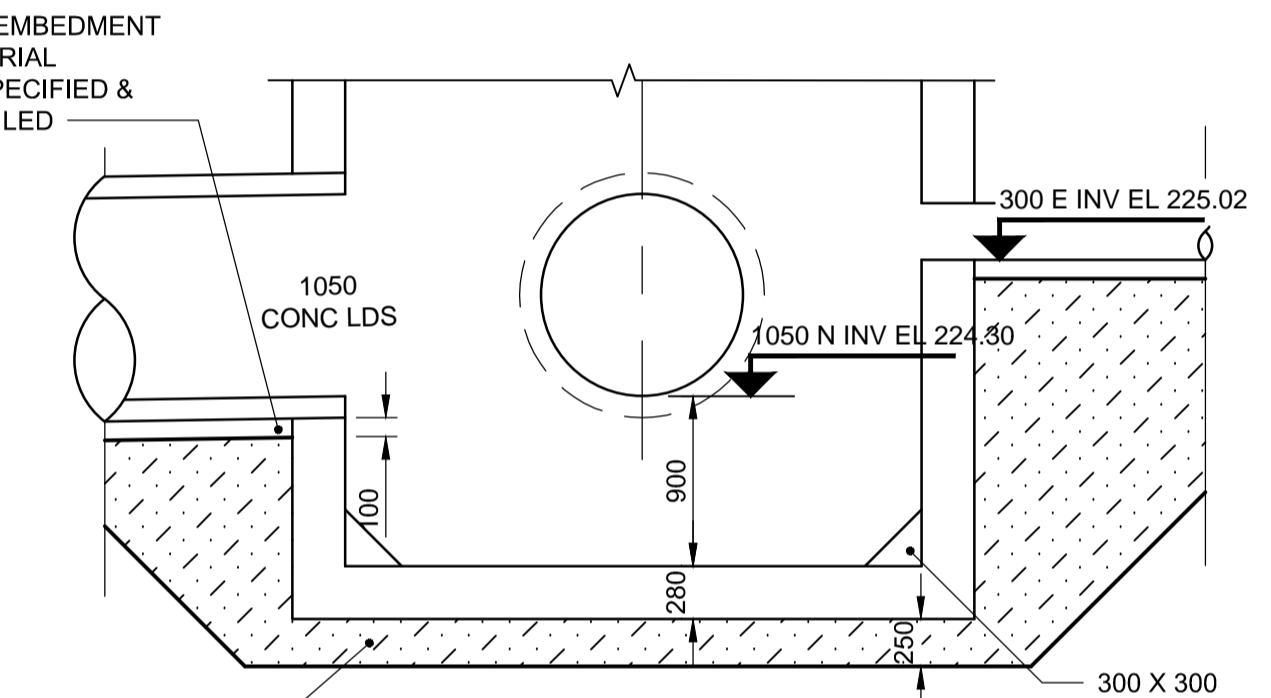
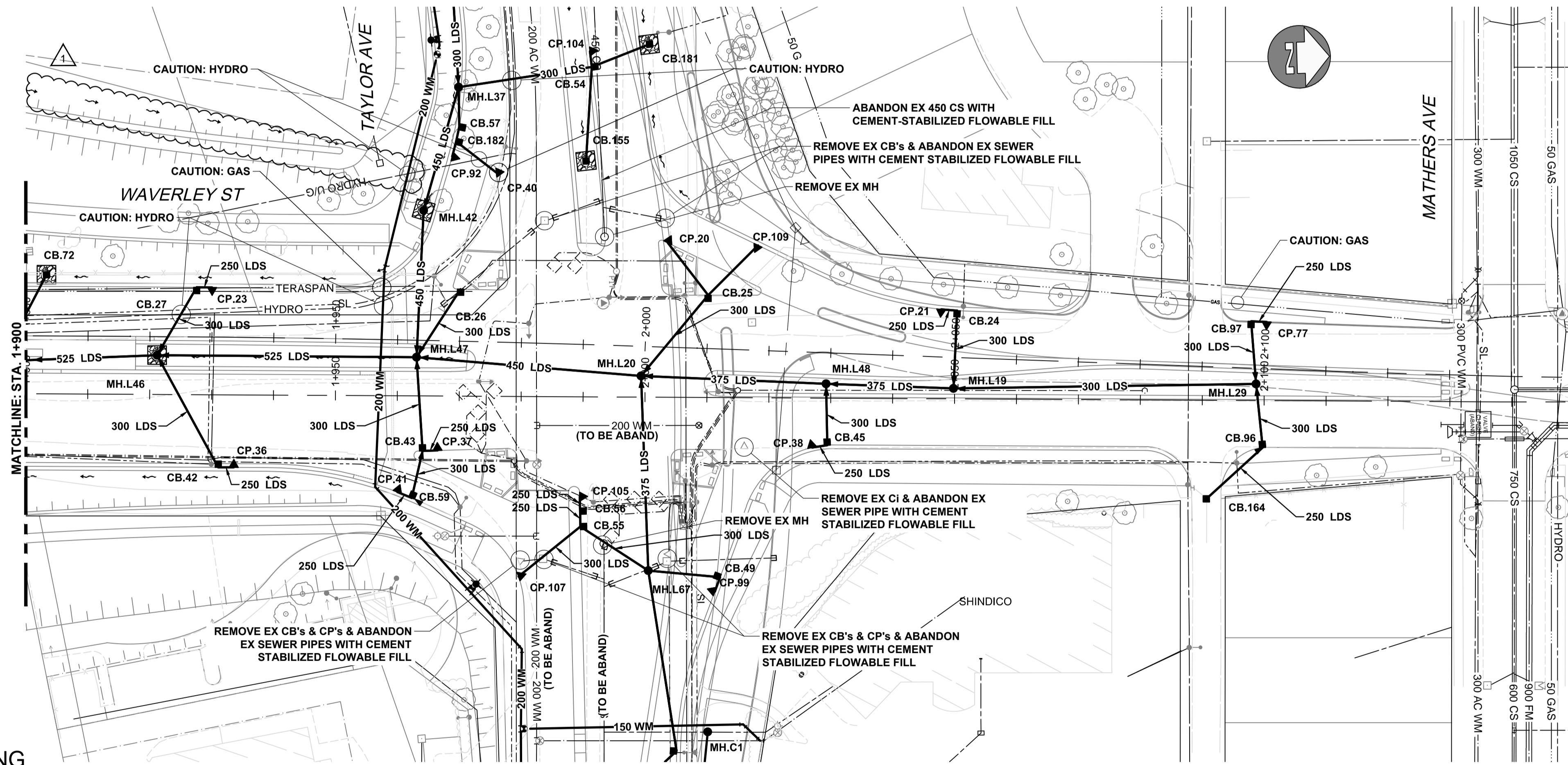


CHAINAGE ALONG CL OF WAVERLEY ST



WARNING

- IF POWER EQUIPMENT OR EXPLOSIVES ARE TO BE USED FOR EXCAVATION ON THIS PROJECT THE CONTRACTOR MUST:
1. NOTIFY THE GAS COMPANY OF THE PROPOSED LOCATION OF EXCAVATION.
 2. TAKE PRECAUTION TO AVOID DAMAGE TO GAS COMPANY INSTALLATIONS SEE PROVINCIAL REGULATION 210/72 FOR DETAILS.
 3. OBTAIN EXCAVATION PERMITS PRIOR TO CONSTRUCTION.

NOTE: REFER TO LDS STRUCTURE & LOCATION SCHEDULE ON DRAWING C2-CU-040 FOR FURTHER CATCHBASIN, CATCHPIT, DITCH INLET & MANHOLE INFORMATION

FOR FURTHER INFO SEE DWG C2-CU-019 & DWG C2-CU-020

EXISTING STORM WATER RETENTION BASIN
SRB 6-22:
NWL - 229.82
HWL - 231.04

APEGM
Certificate of Authorization
AECOM Canada Ltd.
No. 4671 Date:

METRIC
WHOLE NUMBERS INDICATE MILLIMETRES
DECIMALIZED NUMBERS INDICATE METRES

BID OPPORTUNITY NO. 473-2016

150 WM	WATER MAIN	150 WM	PIPE ABANDONMENTS	150 WM	WATER MAIN	150 WM
⊕	HYDRANT	⊕	SURVEY BAR	+	HYDRANT	⊕
⊕	VALVE	⊕	CURB STOP	X	VALVE	X
300 LDS	LAND DRAINAGE SEWER	300 LDS	REDUCER	300 LDS	LAND DRAINAGE SEWER	300 LDS
250 WWS	WASTE WATER SEWER	250 WWS	COUPLING	250 WWS	WASTE WATER SEWER	250 WWS
---	SEWER SERVICE PIPE	---	ANODE	---	PAVEMENT CROWN	---
---	DRAINAGE CONNECTION PIPE	---	HYDRO	---	N/W PROPERTY LINE	---
○	MANHOLE	●	MTS	○	S/E PROPERTY LINE	○
□	CATCH BASIN	■	GAS	□	N/W GUTTER	□
△	CURB INLET	▲	TESTHOLE	△	S/E GUTTER	△
▭	CULVERT	▭	LAMP STANDARD	▭	LEGEND - PROFILE	▭
---	EXISTING	---	LEGEND - PLAN	---	LEGEND - PLAN	---
---	NEW	---	NEW	---	EXISTING	---

UNDERGROUND STRUCTURES	B.M. ELEV.
SUPV. U/G STRUCTURES	DATE

NO.	REVISIONS	DATE	BY	DATE
1	ISSUED FOR ADDENDUM 2	17/02/03	Wjd	
0	ISSUED FOR TENDER	17/01/09	Wjd	

AECOM	
DESIGNED BY	MPG
CHECKED BY	
DRAWN BY	KLC
APPROVED BY	
HOR. SCALE	1:500
VERTICAL	1:100
RELEASED FOR CONSTRUCTION	

ENGINEER'S SEAL
PROVINCE OF MANITOBA
M.P.A. GAUDREAU
Member
32167
REGISTERED PROFESSIONAL ENGINEER

CONSULTANT PROJECT NUMBER
60321148

THE CITY OF WINNIPEG PUBLIC WORKS DEPARTMENT	
WAVERLEY STREET UNDERPASS AT CN MILE 3.89 RIVERS SUB CONTRACT 2: UNDERPASS STRUCTURE, RAILWORKS, ROADWORKS, LAND DRAINAGE SEWER, PUMPING STATION AND LANDSCAPING WORKS	CITY DRAWING NUMBER U239-2016-C2-CU-024
WAVERLEY STREET - PLAN/PROFILE LDS STATION 1+900 to STATION 2+200	SHEET 024 OF 41
	CONSULTANT DRAWING NUMBER C2-CU-024