

PHASE I - STAGE 1 NOTES:

SUGGESTED SCHEDULE

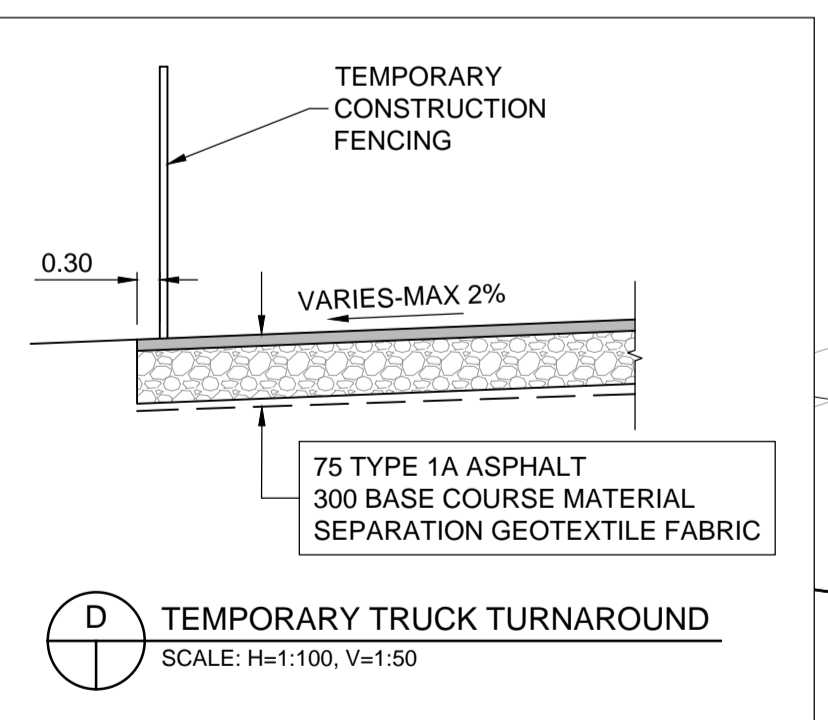
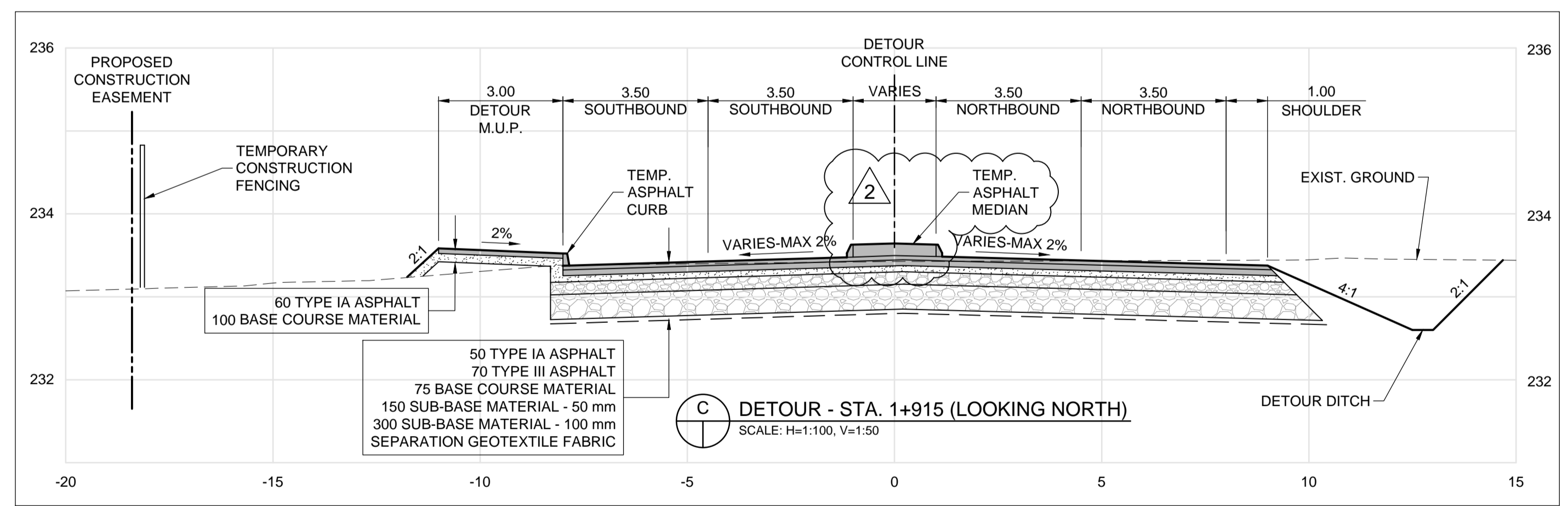
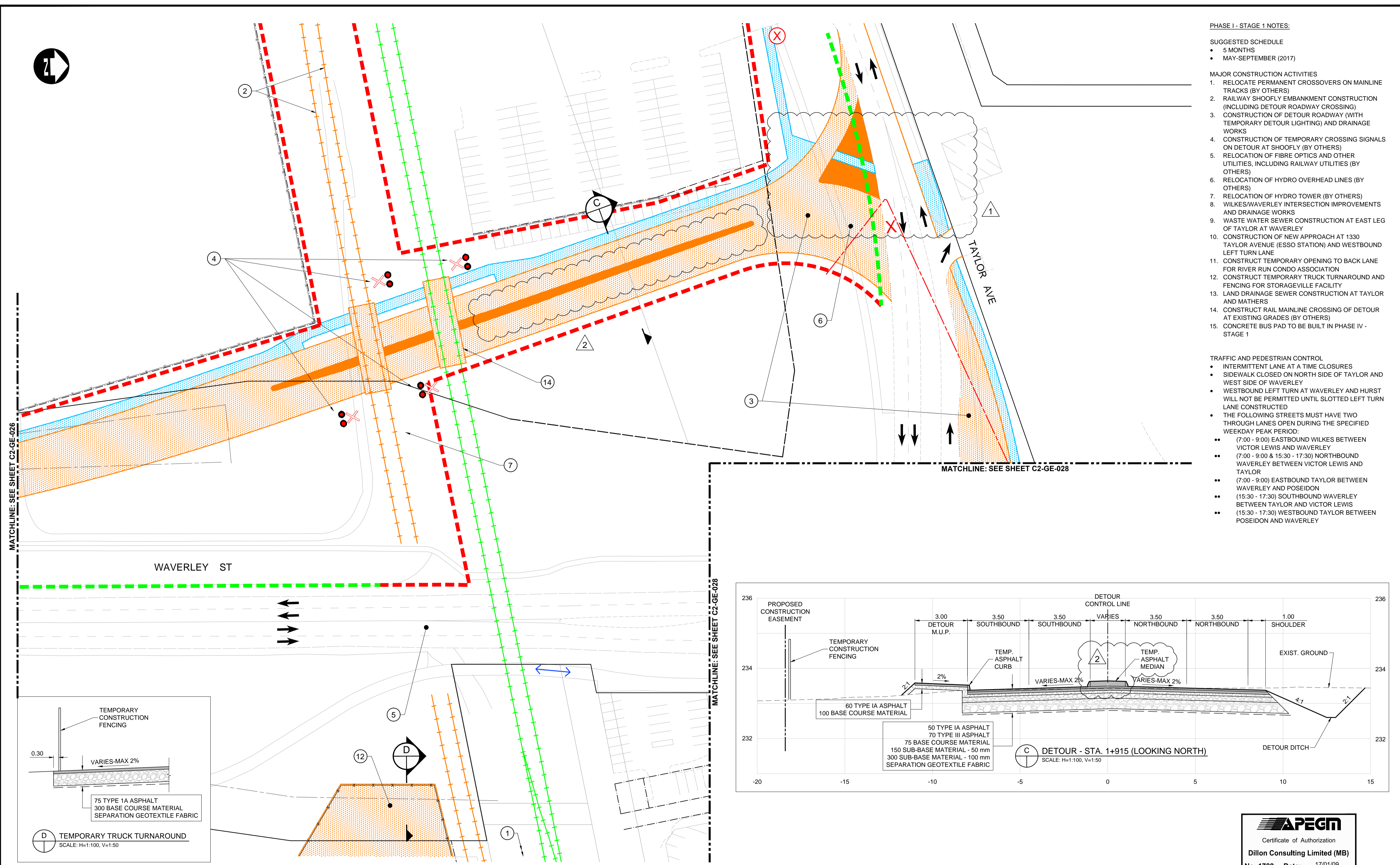
- 5 MONTHS
- MAY-SEPTEMBER (2017)

MAJOR CONSTRUCTION ACTIVITIES

1. RELOCATE PERMANENT CROSSOVERS ON MAINLINE TRACKS (BY OTHERS)
2. RAILWAY SHOOFLY EMBANKMENT CONSTRUCTION (INCLUDING DETOUR ROADWAY CROSSING)
3. CONSTRUCTION OF DETOUR ROADWAY (WITH TEMPORARY DETOUR LIGHTING) AND DRAINAGE WORKS
4. CONSTRUCTION OF TEMPORARY CROSSING SIGNALS ON DETOUR AT SHOOFLY (BY OTHERS)
5. RELOCATION OF FIBRE OPTICS AND OTHER UTILITIES, INCLUDING RAILWAY UTILITIES (BY OTHERS)
6. RELOCATION OF HYDRO OVERHEAD LINES (BY OTHERS)
7. RELOCATION OF HYDRO TOWER (BY OTHERS)
8. WILKES/WAVERLEY INTERSECTION IMPROVEMENTS AND DRAINAGE WORKS
9. WASTE WATER SEWER CONSTRUCTION AT EAST LEG OF TAYLOR AT WAVERLEY
10. CONSTRUCTION OF NEW APPROACH AT 1330 TAYLOR AVENUE (ESSO STATION) AND WESTBOUND LEFT TURN LANE
11. CONSTRUCT TEMPORARY OPENING TO BACK LANE FOR RIVER RUN CONDO ASSOCIATION
12. CONSTRUCT TEMPORARY TRUCK TURNAROUND AND FENCING FOR STORAGEVILLE FACILITY
13. LAND DRAINAGE SEWER CONSTRUCTION AT TAYLOR AND MATHERS
14. CONSTRUCT RAIL MAINLINE CROSSING OF DETOUR AT EXISTING GRADES (BY OTHERS)
15. CONCRETE BUS PAD TO BE BUILT IN PHASE IV - STAGE 1

TRAFFIC AND PEDESTRIAN CONTROL

- INTERMITTENT LANE AT TIME CLOSURES
- SIDEWALK CLOSED ON NORTH SIDE OF TAYLOR AND WEST SIDE OF WAVERLEY
- WESTBOUND LEFT TURN AT WAVERLEY AND HURST WILL NOT BE PERMITTED UNTIL SLOTTED LEFT TURN LANE CONSTRUCTED
- THE FOLLOWING STREETS MUST HAVE TWO THROUGH LANES OPEN DURING THE SPECIFIED WEEKDAY PEAK PERIOD:
 - (7:00 - 9:00) EASTBOUND WILKES BETWEEN VICTOR LEWIS AND WAVERLEY
 - (7:00 - 9:00 & 15:30 - 17:30) NORTHBOUND WAVERLEY BETWEEN VICTOR LEWIS AND TAYLOR
 - (7:00 - 9:00) EASTBOUND TAYLOR BETWEEN WAVERLEY AND POSEIDON
 - (15:30 - 17:30) SOUTHBOUND WAVERLEY BETWEEN TAYLOR AND VICTOR LEWIS
 - (15:30 - 17:30) WESTBOUND TAYLOR BETWEEN POSEIDON AND WAVERLEY



LEGEND - CONSTRUCTION STAGING

- | | | |
|--|--|---|
| <ul style="list-style-type: none"> Active Railway Inactive Railway Shoofly Construction Permanent Railway Construction Major Undergrounds Construction Existing Property Line Proposed Property Line Construction Easement | <ul style="list-style-type: none"> Temporary Roadway Construction Temporary Median Construction Permanent Roadway Construction Permanent Median Construction Temporary Sidewalk/MUP Construction Permanent Sidewalk/MUP Construction Bridge Construction Contractor Laydown Area - Access Contractor Laydown Area - No Access | <ul style="list-style-type: none"> Vehicle Traffic Pedestrian/Cyclist Traffic Lane Closed Sidewalk Closed Temporary Crossing Signals |
|--|--|---|

UNDERGROUND STRUCTURES

SUPPLY	U/G STRUCTURES	DATE

LOCATION OF UNDERGROUND STRUCTURES AS SHOWN ARE BASED ON THE BEST INFORMATION AVAILABLE. BUT NO GUARANTEE IS GIVEN THAT ALL EXISTING UTILITIES ARE SHOWN OR THAT THE GIVEN LOCATIONS ARE EXACT. CONFIRMATION OF EXISTENCE AND EXACT LOCATION OF ALL SERVICES MUST BE OBTAINED FROM THE INDIVIDUAL UTILITIES BEFORE PROCEEDING WITH CONSTRUCTION.

NO.	REVISIONS	DATE	BY	DATE
2	ADDENDUM #3	17/02/15	DBW	
1	ADDENDUM #1	17/01/25	DBW	
0	ISSUED FOR TENDER	17/01/09	DBW	

DESIGNED BY	TJH	CHECKED BY	RTP/DBW
DRAWN BY	TJH	APPROVED BY	DBW
HOR. SCALE	1:500	RELEASED FOR CONSTRUCTION	
VERTICAL		DATE	

ENGINEER'S SEAL

PROVINCE OF MANITOBA

D.B. WIEBE

Member 22480

REGISTERED PROFESSIONAL ENGINEER

CONSULTANT PROJECT NUMBER

16-3353

THE CITY OF WINNIPEG PUBLIC WORKS DEPARTMENT

WAVERLEY STREET UNDERPASS AT CN MILE 3.89 RIVERS SUB CONTRACT 2: UNDERPASS STRUCTURE, RAILWORKS, ROADWORKS, LAND DRAINAGE SEWER, PUMPING STATION AND LANDSCAPING WORKS

CITY DRAWING NUMBER U-239-2016-C2-GE-027

SHEET 027 OF 052

CONSULTANT DRAWING NUMBER C2-GE-027

CONSTRUCTION STAGING PHASE I - STAGE 1 (2 OF 4)

G:\CAD\163353\Technical\Workspaces\Engineering\Drawings and Figures\Roadworks\Contract\163353-C2-CON-GE-STAGE-1.dwg