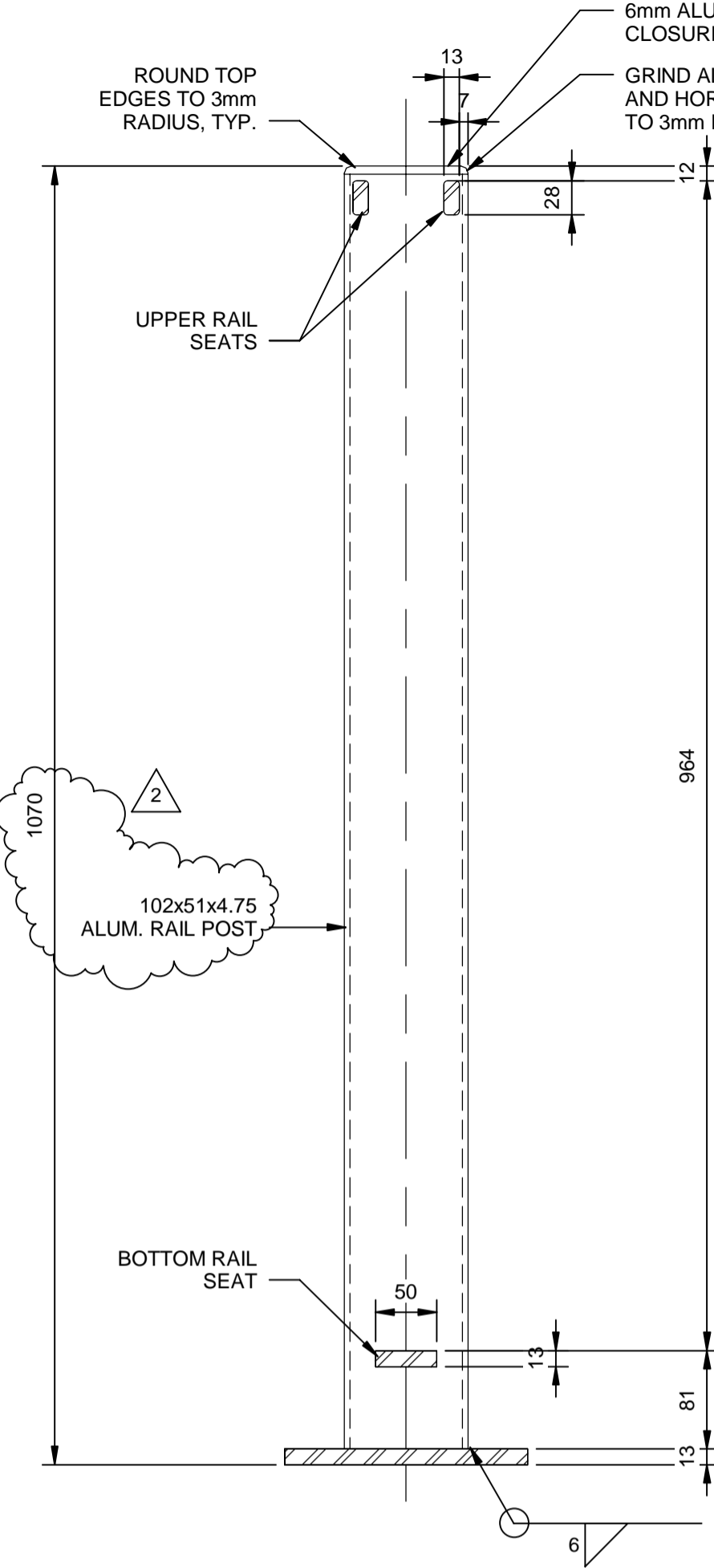
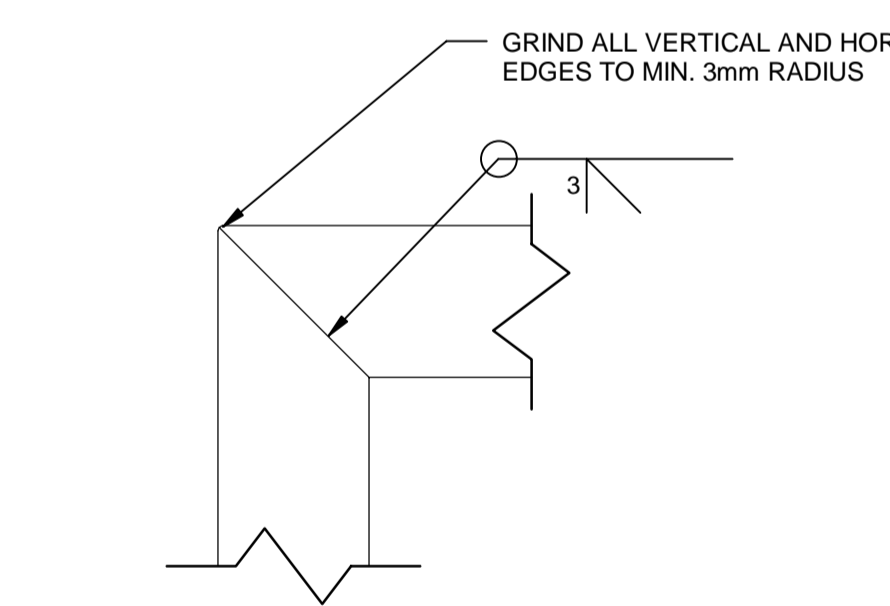


1 | ELEVATION
BS-005 SCALE: 1:10

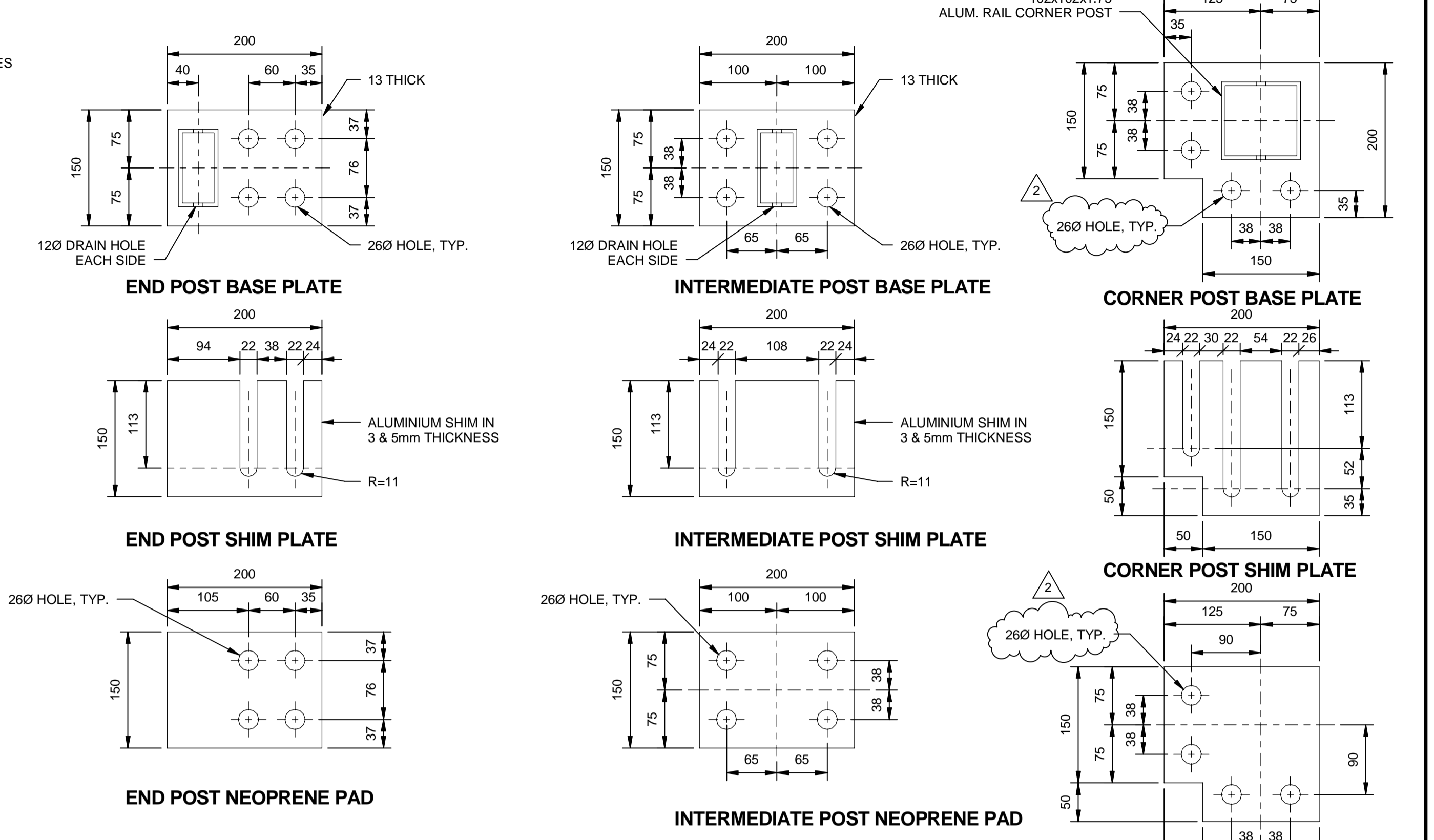
- NOTES:**
- THIS DRAWING TO BE READ IN CONJUNCTION WITH SHEET No. BS-201 AND THE SPECIFICATIONS.
 - ALUMINUM EXTRUSIONS SHALL CONFORM TO ASTM B221, ALLOY 6351-T6. ALUMINUM PLATES SHALL CONFORM TO ASTM B221, ALLOY 5083. STAINLESS STEEL HEXAGONAL HEAD CAP SCREWS SHALL MEET THE ASTM A278, TYPE 430 REQUIREMENTS.
 - M.I.G. WELDING PROCESS SHALL BE USED.
 - RAIL POST AND BALUSTERS SHALL BE SET VERTICAL.
 - ANTI-SEIZE COATING TO BE SUPPLIED AND APPLIED TO ALL THREADED COMPONENTS WHEN BEING ASSEMBLED, IE. LPS-3- MANUFACTURE HOLT-LLOYD (CANADA) LTD. MARKHAM ONTARIO.
 - SS DENOTES STAINLESS STEEL.
 - ALL SLOTTED HOLES MUST BE FINISHED SMOOTH AND TRUE.
 - PROVIDE TAMPER PROOF HARDWARE INCLUDING NYLON LOCKNUTS.
 - PROVIDE A BITUMINOUS COATING IF ALUMINUM COMPONENTS ARE IN CONTACT WITH CONCRETE.



B | SECTION
BS-005 SCALE: 1:5



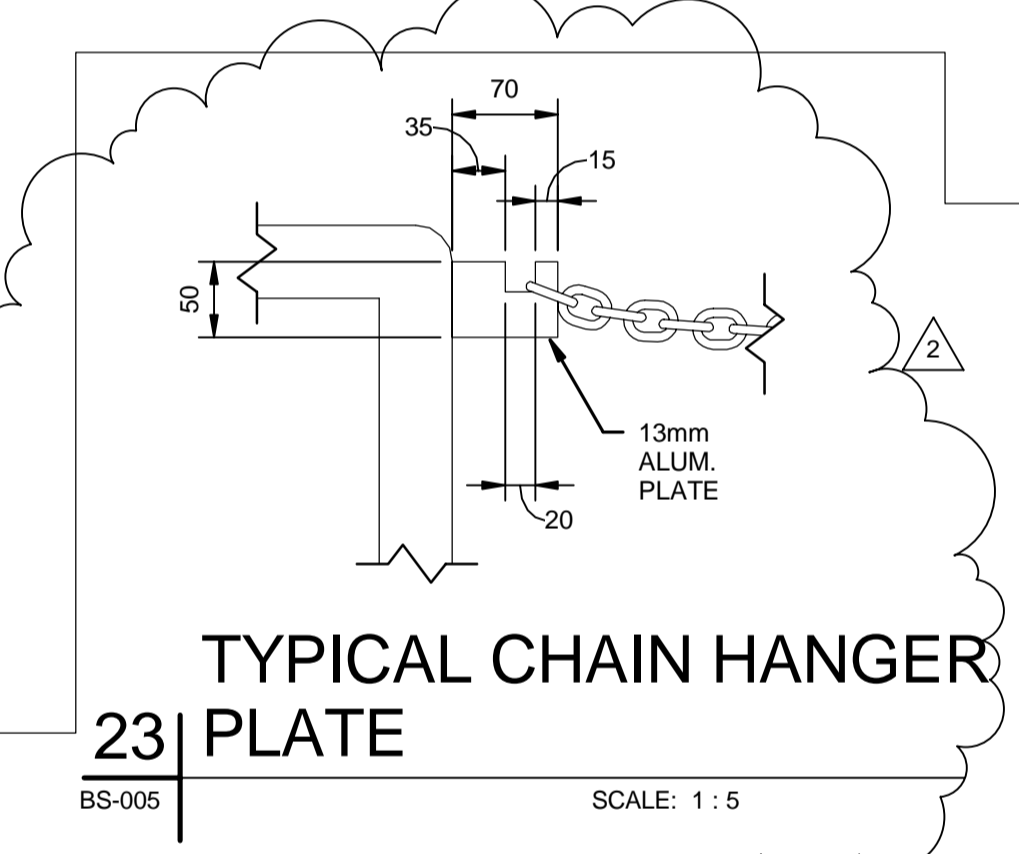
3 | DETAIL
BS-005 SCALE: 1:5



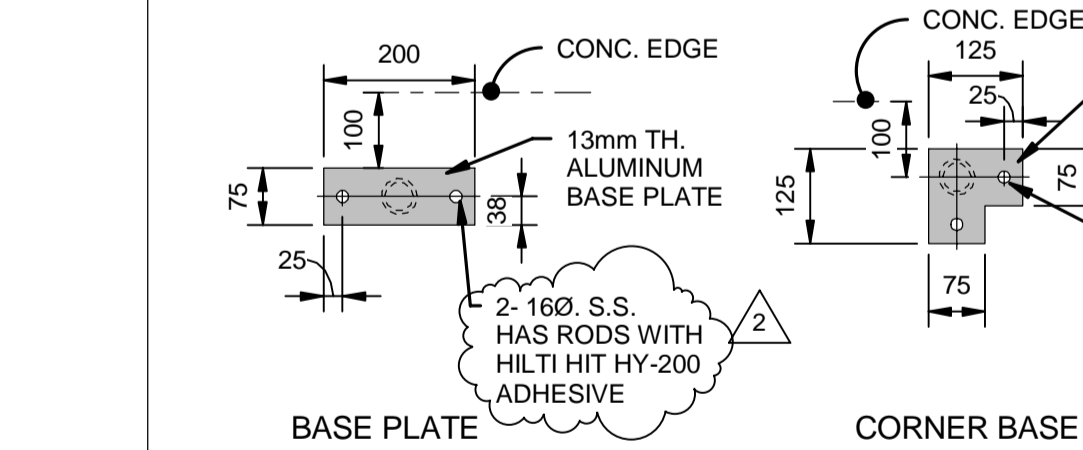
4 | DETAILS
BS-005 SCALE: 1:5



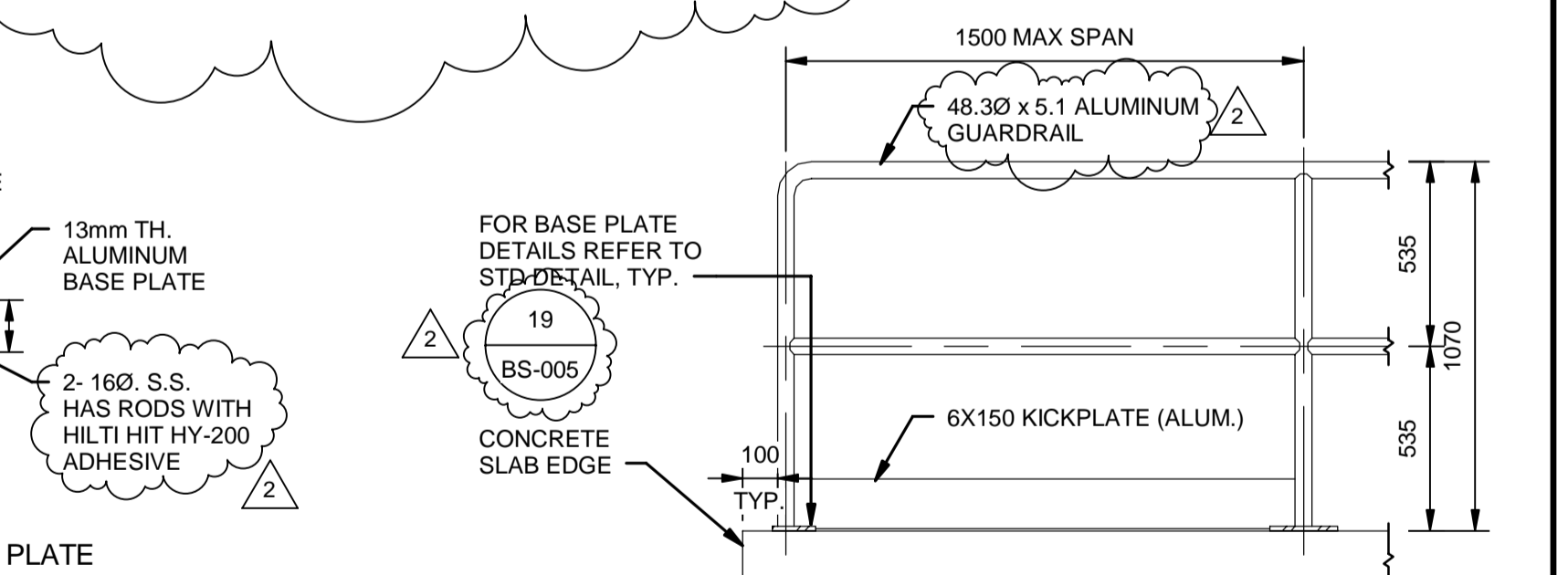
20 | TOP MOUNT ALUMINUM GUARDRAIL
BS-005 SCALE: 1:5



23 | TYPICAL CHAIN HANGER
BS-005 SCALE: 1:5



19 | STD DETAIL ALUM. GUARDRAIL TO CONCRETE BASE PLATE
BS-005 SCALE: 1:10

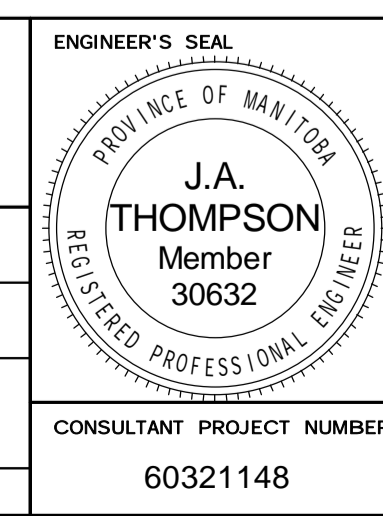


18 | STD DETAIL ALUM. GUARDRAIL TO CONCRETE
BS-005 SCALE: 1:20

METRIC
WHOLE NUMBERS INDICATE MILLIMETRES
DECIMALIZED NUMBERS INDICATE METRES

UNDERGROUND STRUCTURES		B.M. ELEV.
SUPV. U/G STRUCTURES	DATE	
LOCATION OF UNDERGROUND STRUCTURES AS SHOWN ARE BASED ON THE BEST INFORMATION AVAILABLE. BUT NO GUARANTEE IS GIVEN THAT ALL EXISTING UTILITIES ARE SHOWN OR THAT THE GIVEN LOCATIONS ARE EXACT. CONFIRMATION OF EXISTENCE AND EXACT LOCATION OF ALL SERVICES MUST BE OBTAINED FROM THE INDIVIDUAL UTILITIES BEFORE PROCEEDING WITH CONSTRUCTION.		

AECOM	
DESIGNED BY: KK/JT	CHECKED BY: SBB
DRAWN BY: KK	APPROVED BY: AN
HOR. SCALE: AS SHOWN	RELEASED FOR CONSTRUCTION
VERTICAL: AS SHOWN	
NO. REVISIONS	DATE BY DATE
2	ISSUED FOR ADDENDUM 4 17/02/22 KK
1	ISSUED FOR ADDENDUM 2 17/02/03 KK
0	ISSUED FOR TENDER 17/01/09 KK
06/01/2016	09/06/2016



THE CITY OF WINNIPEG
PUBLIC WORKS DEPARTMENT

Waverley Street Underpass at CN Mile 3.89 Rivers Sub
Contract 2: Underpass Structure, Railworks, Roadworks, Land Drainage Sewer, Pumping Station and Landscaping Works

CITY DRAWING NUMBER: U-239-2016-C2-BS-005
SHEET 5 OF 16
CONSULTANT DRAWING NUMBER: C2-BS-005

PUMPING STATION STANDARD DETAILS